

Video Surveillance Product Catalog 2019

KEDACOM



Recognitive Solution



Mobile Solution



Border Security



Command Center

Contents

IR Bullet
Camera

Box Camera

Semi Dome
Camera

Fisheye
Camera

Speed Dome
Camera

Explosion
Proof
Camera

PTZ Camera

Intelligent
Products

Network
Video
Recorder

Video
Management
System

IPSAN






Encoder
&
Decoder

Mobile
Solutions



















IR Bullet Camera










Model	Picture	Image Sensor	Resolution	IR	Lens	Compression	WDR	Ingress Protection	Intelligent	Starlight	Specialty	Interface
< IPC2253-FNB-PIR40		1/2.8"	2.0MP	40m smart IR	3.6/6mm Fixed Lens	H.265/H.264	Ultra WDR	IP67	Basic Intelligent I	0.002lux	Mini size Anti-fog glass	PoE, Micro SD Card Slot
< IPC2453-HNB-PIR30		1/3"	4.0MP	30m smart IR	3.6/6mm Fixed Lens	H.265/H.264	Digital WDR	IP67	Basic Intelligent I	-	Mini size Anti-fog glass	PoE, Micro SD Card Slot
< LC2150-BN-D		1/3"	1.3MP	30~50m smart IR	3.6/6/8/12/16mm Fixed Lens	H.264	Digital WDR	IP66	Motion Detection	-	-	-
< IPC2152-HN-DIR		1/3"	1.3MP	30~50m smart IR	3.6/6/8/12/16mm Fixed Lens	H.265/H.264	Digital WDR	IP66	Basic Intelligent I	-	Anti-fog glass	-
< IPC2252-FN-DIR		1/2.8"	2.0MP	60m smart IR	3.6/6/8/12/16mm Fixed Lens	H.265/H.264	Ultra WDR	IP66	Basic Intelligent I	0.002lux	Anti-fog glass	-
< IPC2252-FN/FNB-PIR		1/2.8"	2.0MP	60m smart IR	3.6/6/8/12/16mm Fixed Lens	H.265/H.264	Ultra WDR	IP66/67	Basic Intelligent I	0.002lux	Anti-fog glass	PoE, Micro SD Card Slot
< IPC2252-FN/FNB-SIR		1/2.8"	2.0MP	60m smart IR	3.6/6/8/12/16mm Fixed Lens	H.265/H.264	Ultra WDR	IP66/67	Basic Intelligent II	0.002lux	Anti-fog glass	PoE, Micro SD Card Slot, Audio, Alarm, RS485, Video Out
< IPC2452-HN-DIR		1/3"	4.0MP	30~50m smart IR	3.6/6/8/12/16mm Fixed Lens	H.265/H.264	Digital WDR	IP66	Basic Intelligent I	-	Anti-fog glass	-
< IPC2452-HN/HNB-PIR		1/3"	4.0MP	30~50m smart IR	3.6/6/8/12/16mm Fixed Lens	H.265/H.264	Digital WDR	IP66/67	Basic Intelligent I	-	Anti-fog glass	PoE, Micro SD Card Slot
< IPC2452-HN/HNB-SIR		1/3"	4.0MP	30~50m smart IR	3.6/6/8/12/16mm Fixed Lens	H.265/H.264	Digital WDR	IP66/67	Basic Intelligent II	-	Anti-fog glass	PoE, Micro SD Card Slot, Audio, Alarm, RS485, Video Out
< IPC2252-FN/FNB-PIR50-Z2812		1/2.8"	2.0MP	50~70m smart IR	2.8 ~ 12mm Motorized Varifocal Lens	H.265/H.264	Ultra WDR	IP67	Basic Intelligent I	0.002lux	Heating glass	PoE, Micro SD Card Slot
< IPC2252-FN/FNB-SIR50-Z2812		1/2.8"	2.0MP	50~70m smart IR	2.8 ~ 12mm Motorized Varifocal Lens	H.265/H.264	Ultra WDR	IP67	Basic Intelligent II	0.002lux	Heating glass	PoE, Micro SD Card Slot, Audio, Alarm, RS485, Video Out
< IPC2452-HN/HNB-PIR50-Z2812		1/3"	4.0MP	30~50m smart IR	2.8 ~ 12mm Motorized Varifocal Lens	H.265/H.264	Digital WDR	IP66/67	Basic Intelligent I	-	Heating glass	PoE, Micro SD Card Slot
< IPC2452-HN/HNB-SIR50-Z2812		1/3"	4.0MP	30~50m smart IR	2.8 ~ 12mm Motorized Varifocal Lens	H.265/H.264	Digital WDR	IP66/67	Basic Intelligent II	-	Heating glass	PoE, Micro SD Card Slot, Audio, Alarm, RS485, Video Out
< IPC2251-FN/FNB-SIR50-Z2812		1/2.8"	2.0MP	50~80m smart IR	2.8 ~ 12mm AF Lens	H.265/H.264	Ultra WDR	IP67	Basic Intelligent II	0.001lux	O/G sensor Heating glass	PoE, Micro SD Card Slot, Audio, Alarm, RS485, Video Out
< IPC2251-FN/FNB-SIR80-Z6048		1/2.8"	2.0MP	80~120m smart IR	6 ~ 48mm AF Lens	H.265/H.264	Ultra WDR	IP67	Basic Intelligent II	0.001lux	O/G sensor Heating glass	PoE, Micro SD Card Slot, Audio, Alarm, RS485, Video Out

Box Camera



Model	Picture	Image Sensor	Resolution	Compression	WDR	Intelligent	Starlight	Specialty	Interface
< IPC113-HN		1/3"	1.3MP	H.265/H.264	Digital WDR	Basic Intelligent II	-	O/G sensor, Built-in Mic	PoE, Micro SD Card Slot, Audio, Alarm, RS485, Video Out
< IPC123-HN		1/3"	2.0MP	H.265/H.264	Digital WDR	Basic Intelligent II	-	O/G sensor, Built-in Mic	PoE, Micro SD card slot, Audio, Alarm, RS485, Video Out
< IPC143-HN		1/3"	4.0MP	H.265/H.264	Ultra WDR	Basic Intelligent II	-	O/G sensor, Built-in Mic	PoE, Micro SD card slot, Audio, Alarm, RS485, Video Out
< IPC123-FN		1/1.9"	2.0MP	H.265/H.264	Ultra WDR	Basic Intelligent II	0.001lux	60fps, O/G sensor, Built-in Mic	PoE, Micro SD card slot, Audio, Alarm, RS485, Video Out
< IPC183-FI9N		1/1.8"	4K	H.265/H.264	Ultra WDR	Basic Intelligent II	0.005lux	60fps, O/G sensor, Built-in Mic	PoE, Micro SD card Slot, Audio, Alarm, RS485, Video Out

Semi Dome Camera

Model	Picture	Image Sensor	Resolution	IR	Lens	Compression	WDR	Ingress Protection	Intelligent	Starlight	Specialty	Interface
< IPC2240-HN-P		1/3"	2.0MP	-	2.1mm Fixed Lens	H.265/H.264	Digital WDR	-	Basic Intelligent I	-	Mini size IK10, Built-in Mic	PoE, Micro SD Card Slot
< IPC2240-HN-PIR30		1/3"	2.0MP	30m smart IR	2.8/3.6/6mm Fixed Lens	H.265/H.264	Digital WDR	-	Basic Intelligent I	-	Mini size IK10, Built-in Mic	PoE, Micro SD Card Slot
< IPC2240-HN-S		1/3"	2.0MP	-	2.1mm Fixed Lens	H.265/H.264	Digital WDR	-	Basic Intelligent II	-	Mini size IK10, Built-in Mic	PoE, Micro SD Card Slot, Audio, Alarm, RS485, Video Out
< IPC2240-HN-SIR30		1/3"	2.0MP	30m smart IR	2.8/3.6/6mm Fixed Lens	H.265/H.264	Digital WDR	-	Basic Intelligent II	-	Mini size IK10, Built-in Mic	PoE, Micro SD Card Slot, Audio, Alarm, RS485, Video Out
< IPC2440-HN-P		1/3"	4.0MP	-	2.1mm Fixed Lens	H.265/H.264	Digital WDR	-	Basic Intelligent I	-	Mini size IK10, Built-in Mic	PoE, Micro SD Card Slot
< IPC2440-HN-PIR30		1/3"	4.0MP	30m smart IR	2.8/3.6/6mm Fixed Lens	H.265/H.264	Digital WDR	-	Basic Intelligent I	-	Mini size IK10, Built-in Mic	PoE, Micro SD Card Slot
< IPC2440-HN-S		1/3"	4.0MP	-	2.1mm Fixed Lens	H.265/H.264	Digital WDR	-	Basic Intelligent II	-	Mini size IK10, Built-in Mic	PoE, Micro SD Card Slot, Audio, Alarm, RS485, Video Out
< IPC2440-HN-SIR30		1/3"	4.0MP	30m smart IR	2.8/3.6/6mm Fixed Lens	H.265/H.264	Digital WDR	-	Basic Intelligent II	-	Mini size IK10, Built-in Mic	PoE, Micro SD Card Slot, Audio, Alarm, RS485, Video Out
< LC2110-BN-D		1/3"	1.3MP	30m smart IR	2.8/3.6/6/8/12mm Fixed Lens	H.264	Digital WDR	IP66	Motion Detection	-	-	-
< IPC2111-HN-DIR		1/3"	1.3MP	30m smart IR	2.8/3.6/6/8mm Fixed Lens	H.265/H.264	Digital WDR	IP66	Basic Intelligent I	-	Built-in Mic Anti-fog glass IK10 (optional)	-
< IPC2211-FN-DIR		1/2.8"	2.0MP	40m smart IR	2.8/3.6/6/8mm Fixed Lens	H.265/H.264	Ultra WDR	IP66	Basic Intelligent I	0.002lux	Built-in Mic Anti-fog glass IK10 (optional)	-
< IPC2211-FN-PIR		1/2.8"	2.0MP	40m smart IR	2.8/3.6/6/8mm Fixed Lens	H.265/H.264	Ultra WDR	IP66	Basic Intelligent I	0.002lux	Built-in Mic Anti-fog glass IK10 (optional)	PoE, Micro SD Card Slot
< IPC2211-FN-SIR		1/2.8"	2.0MP	40m smart IR	2.8/3.6/6/8mm Fixed Lens	H.265/H.264	Ultra WDR	IP66	Basic Intelligent II	0.002lux	Built-in Mic Anti-fog glass IK10 (optional)	PoE, Micro SD Card Slot, Audio, Alarm, RS485, Video Out
< IPC2411-HN-DIR		1/3"	4.0MP	30m smart IR	2.8/3.6/6/8mm Fixed Lens	H.265/H.264	Digital WDR	IP66	Basic Intelligent I	-	Built-in Mic Anti-fog glass IK10 (optional)	-
< IPC2411-HN-PIR		1/3"	4.0MP	30m smart IR	2.8/3.6/6/8mm Fixed Lens	H.265/H.264	Digital WDR	IP66	Basic Intelligent I	-	Built-in Mic Anti-fog glass IK10 (optional)	PoE, Micro SD Card Slot
< IPC2411-HN-SIR		1/3"	4.0MP	30m smart IR	2.8/3.6/6/8mm Fixed Lens	H.265/H.264	Digital WDR	IP66	Basic Intelligent II	-	Built-in Mic Anti-fog glass IK10 (optional)	PoE, Micro SD Card Slot, Audio, Alarm, RS485, Video Out
< IPC2241-FN/FNW-PIR		1/2.8"	2.0MP	15m smart IR	2.8/3.6/6/8mm Fixed Lens	H.265/H.264	Ultra WDR	IP67	Basic Intelligent I	0.001lux	Mini size IK10, Built-in Mic Wi-Fi EN50155	PoE, Micro SD Card Slot
< IPC2241-FN/FNW-SIR		1/2.8"	2.0MP	15m smart IR	2.8/3.6/6/8mm Fixed Lens	H.265/H.264	Ultra WDR	IP67	Basic Intelligent II	0.001lux	Mini size IK10, Built-in Mic Wi-Fi EN50155	PoE, Micro SD Card Slot, Audio, Alarm, RS485, Video Out

Model	Picture	Image Sensor	Resolution	IR	Lens	Compression	WDR	Ingress Protection	Intelligent	Starlight	Specialty	Interface
< IPC2233-FN-S		1/2.8"	2.0MP	-	2.1mm Fixed Lens	H.265/H.264	Ultra WDR	IP67	Basic Intelligent II	0.002lux	IK10	PoE, Micro SD Card Slot, Audio, Alarm, RS485, Video Out
< IPC2233-FN-PIR40		1/2.8"	2.0MP	40m Smart IR	2.7 ~ 12mm Motorized Varifocal Lens	H.265/H.264	Ultra WDR	IP67	Basic Intelligent I	0.002lux	IK10	PoE, Micro SD Card Slot
< IPC2233-FN-SIR40		1/2.8"	2.0MP	40m Smart IR	2.7 ~ 12mm Motorized Varifocal Lens	H.265/H.264	Ultra WDR	IP67	Basic Intelligent II	0.002lux	IK10	PoE, Micro SD Card Slot, Audio, Alarm, RS485, Video Out
< IPC2433-HN-PIR40		1/3"	4.0MP	40m Smart IR	2.7 ~ 12mm Motorized Varifocal Lens	H.265/H.264	Digital WDR	IP67	Basic Intelligent I	-	IK10	PoE, Micro SD Card Slot
< IPC2433-HN-SIR40		1/3"	4.0MP	40m Smart IR	2.7 ~ 12mm Motorized Varifocal Lens	H.265/H.264	Digital WDR	IP67	Basic Intelligent II	-	IK10	PoE, Micro SD Card Slot, Audio, Alarm, RS485, Video Out
< IPC2231-FN-S		1/2.8"	2.0MP	-	2.0/2.2mm Fixed, 2.8 ~ 12mm AF Lens	H.265/H.264	Ultra WDR	IP67	Basic Intelligent II	0.002lux	IK10, 2 x Audio in Power output	PoE, Micro SD Card Slot, Audio, Alarm, RS485, Video Out
< IPC2231-FN-SIR40		1/2.8"	2.0MP	40m Smart IR	2.8 ~ 12mm AF Lens	H.265/H.264	Ultra WDR	IP67	Basic Intelligent II	0.002lux	IK10, 2 x Audio in Power output	PoE, Micro SD Card Slot, Audio, Alarm, RS485, Video Out
< IPC2431-HN-S		1/3"	4.0MP	-	2.0/2.2mm Fixed, 2.8 ~ 12mm AF Lens	H.265/H.264	Ultra WDR	IP67	Basic Intelligent II	-	IK10, 2 x Audio in Power output	PoE, Micro SD Card Slot, Audio, Alarm, RS485, Video Out
< IPC2431-HN-SIR40		1/3"	4.0MP	40m Smart IR	2.8 ~ 12mm AF Lens	H.265/H.264	Ultra WDR	IP67	Basic Intelligent II	-	IK10, 2 x Audio in Power output	PoE, Micro SD Card Slot, Audio, Alarm, RS485, Video Out



Fisheye Camera

Model	Picture	Image Sensor	Resolution	IR	Lens	Compression	WDR	Ingress Protection	Intelligent	Starlight	Specialty	Interface
IPC2860-HN-SIR30-L0185		1/1.7"	12MP	30m smart IR	1.85mm Fixed Lens	H.265/H.264	Digital WDR	IP67	Basic Intelligent II	-	IK10, Built-in Mic	PoE, Micro SD Card Slot, Audio, Alarm, RS485
IPC2860-HN-PIR15-L0185		1/1.7"	8.0MP	15m smart IR	1.85mm Fixed Lens	H.265/H.264	Digital WDR	IP67	Basic Intelligent I	-	IK10, Built-in Mic	PoE, Micro SD Card Slot





Speed Dome Camera

Model	Picture	Image Sensor	Resolution	Lens	IR	Compression	WDR	Ingress Protection	Intelligent	Starlight	Specialty	Interface
< IPC411-E020-N0		1/3"	1.3MP	16x	-	H.264	Digital WDR	-	Motion Detection	-	-	PoE (optional), SD Card Slot, Audio, Alarm, RS485, Video Out
< IPC411-E020-N1		1/3"	1.3MP	16x	-	H.264	Digital WDR	IP67	Motion Detection	-	-	SD Card Slot, Audio, Alarm, RS485, Video Out
< IPC421-E230-N0		1/2.8"	2.0MP	30x	-	H.265/H.264	Ultra WDR	-	Basic Intelligent II	0.003lux	O-sensor	PoE (optional), SD Card Slot, Audio, Alarm, RS485, Video Out
< IPC421-F120-N0		1/2.8"	2.0MP	20x	-	H.265/H.264	Ultra WDR	-	Basic Intelligent I	0.003lux	O-sensor	PoE (optional), SD Card Slot, Audio, Alarm, RS485, Video Out
< IPC421-F120-N1		1/2.8"	2.0MP	20x	-	H.265/H.264	Ultra WDR	IP67	Basic Intelligent I	0.003lux	O-sensor	SD Card Slot, Audio, Alarm, RS485, Video Out
< IPC421-F233-N1		1/2.8"	2.0MP	33x	-	H.265/H.264	Ultra WDR	IP67	Basic Intelligent II	0.003lux	O-sensor	SD Card Slot, Audio, Alarm, RS485, Video Out
< IPC427-F020-N		1/2.8"	2.0MP	20x	180m	H.265/H.264	Digital WDR	IP66	Basic Intelligent I	0.006lux	O-sensor	SD Card Slot, Audio, Alarm
< IPC427-F120-NP		1/2.8"	2.0MP	20x	180m	H.265/H.264	Digital WDR	IP66	Basic Intelligent I	0.006lux	O-sensor	PoE, SD Card Slot, Audio, Alarm
< IPC427-F130-NP		1/2.8"	2.0MP	30x	180m	H.265/H.264	Digital WDR	IP66	Basic Intelligent I	0.006lux	O-sensor	PoE, SD Card Slot, Audio, Alarm
< IPC425-G245-N		1/1.9"	2.0MP	45x	220m	H.265/H.264	Digital WDR	IP66	Motion Detection	0.002lux	GPS	Built-in eMMC, Audio, Alarm, RS485
< IPC415-E120-N		1/3"	1.3MP	16x	150m	H.264	Digital WDR	IP66	Motion Detection	-	-	SD Card Slot, Audio, Alarm
< IPC425-F120-N		1/2.8"	2.0MP	20x	180m	H.265/H.264	Ultra WDR	IP66	Basic Intelligent I	0.003lux	O-sensor	SD Card Slot, Audio, Alarm
< IPC425-F223-N		1/1.9"	2.0MP	23x	220m	H.265/H.264	Ultra WDR	IP66	Basic Intelligent II	0.001lux	O-sensor	SD Card Slot, Audio, Alarm, RS485, Video Out
< IPC425-F233-N		1/2.8"	2.0MP	33x	220m	H.265/H.264	Ultra WDR	IP66	Basic Intelligent II	0.003lux	60fps Wiper O-sensor	SD Card Slot, Audio, Alarm, RS485, Video Out
< IPC425-F233-NL		1/2.8"	2.0MP	33x	500m	H.265/H.264	Ultra WDR	IP66	Basic Intelligent II	0.003lux	60fps Wiper O-sensor	SD Card Slot, Audio, Alarm, RS485, Video Out
< IPC445-H120-N		1/3"	4.0MP	20x	180m	H.265/H.264	Digital WDR	IP66	Basic Intelligent I	-	O-sensor	SD Card Slot, Audio, Alarm
< IPC485-H233-N		1/1.7"	8.0MP	33x	220m	H.265/H.264	Ultra WDR	IP66	Basic Intelligent II	-	O-sensor	SD Card Slot, Audio, Alarm, RS485, Video Out

Explosion Proof Camera

Model	Picture	Image sensor	Resolution	Lens	Compression	WDR	Ingress protection	Intelligent	Starlight	Specialty	Interface
< IPC820-FB		1/2.8"	2.0MP	20x	H.265/H.264	Ultra WDR	IP68	Basic Intelligent I	0.003lux	Exd II CT6 / DIP A20 TA,T6	SD Card (optional)
< IPC421-FB		1/2.8"	2.0MP	20x	H.265/H.264	Ultra WDR	IP68	Basic Intelligent I	0.003lux	Exd II CT6 / DIP A20 TA,T6	SD Card (optional)


PTZ Camera

Model	Picture	Image sensor	Resolution	Lens	IR	Compression	WDR	Ingress protection	Intelligent	Starlight	Specialty	Interface
< IPC523-F255-NL		1/2.8"	2.0MP	55x	1500m	H.265/H.264	Ultra WDR	IP66	Basic Intelligent II	0.003lux	Laser Wiper O-sensor	Micro SD Card (optional), Audio, Alarm, Video Out
< IPC525-F132-NL2		1/1.9"	2.0MP	32x	2000m	H.265/H.264	Ultra WDR	IP66	Basic Intelligent II	0.001lux	Laser Optical Defog AR & AF glass O-sensor	Micro SD Card Slot, Audio, Alarm
< IPC525-F160-NL3		1/1.9"	2.0MP	60x 2x Barlow lens	3000m	H.265/H.264	Ultra WDR	IP66	Basic Intelligent II	0.001lux	Laser Optical Defog AR & AF glass O-sensor	Micro SD Card Slot, Audio, Alarm
< IPC525-F260-NL5		1/1.9"	2.0MP	60x 2x Barlow lens	5000m	H.265/H.264	Ultra WDR	IP66	Basic Intelligent II	0.001lux	Laser Optical Defog AR & AF glass O-sensor	Micro SD Card Slot, Audio, Alarm














Intelligent Products

Model	Picture	Description	Image Sensor	Resolution	Compression	WDR	Intelligent	Starlight	Specialty	Interface
< IPC123-Fi9N		Recognitive Box Camera	1/2"	2.0MP	H.265/H.264	Ultra WDR	Face Recognition	Starlight 2.0	-	PoE, Micro SD Card Slot, Audio, Alarm, RS485, Video Out
< IPC183-Fi9N		Recognitive Box Camera	1/1.8"	4K	H.265/H.264	Ultra WDR	Face Recognition	0.005lux	-	PoE, Micro SD Card Slot, Audio, Alarm, RS485, Video Out
< IPC2252-Gi4N		Human Recognitive Camera	1/2.8"	2.0MP	H.265/H.264	Digital WDR	Face and Body Recognition	0.002lux	-	Micro SD Card Slot, Audio, Alarm, RS485
< IPC2231-Gi4N		Human Recognitive Camera	1/2.8"	2.0MP	H.265/H.264	Digital WDR	Face and Body Recognition	0.002lux	-	Micro SD Card Slot, Audio, Alarm, RS485
< IPC2255-Gi4N		Human Recognitive Camera	1/1.9"	2.0MP	H.265/H.264	Digital WDR	Face and Body Recognition	0.001lux	-	Micro SD Card Slot, Audio, Alarm, RS485
< IPC2655-Gi4N		Human Recognitive Camera	1/1.8"	6.0MP	H.265/H.264	Digital WDR	Face and Body Recognition	-	-	Micro SD Card Slot, Audio, Alarm, RS485
< IPC2255-Gi7N		Recognitive Bullet Camera	1/1.9"	2.0MP	H.265/H.264	Digital WDR	Body and Vehicle Recognition	0.001lux	-	Micro SD Card Slot, Audio, Alarm, RS485
< IPC2655-Gi7N		Recognitive Bullet Camera	1/1.8"	6.0MP	H.265/H.264	Digital WDR	Body and Vehicle Recognition	-	-	Micro SD Card Slot, Audio, Alarm, RS485
< IPC121-Bi5N		Recognitive Tracking System	1/1.9"	2.0MP	H.264	Digital WDR	Auto Tracking	0.002lux	-	SD Card Slot, Audio, Alarm, RS485, RS232, Video Out
< IPC425-i020-N			1/2.8"	2.0MP	H.264	Digital WDR	Recognition Auto Tracking	0.005lux	-	SD Card Slot, Audio, Alarm, RS485, Video Out



Falcon System

Model	Picture	Features
<p>Falcon Human Recognition System</p>		<ul style="list-style-type: none"> up to 500,000 cameras in one system up to 10,000,000 Face / Human Detection Comparison Library Real-time multiple face matching, matching speed low to 2s Up to 98% face recognition accuracy Deep learning algorithm, Human attributes analysis Different types of camera: Kedacom human recognitive camera, Kedacom standard IP camera, Third-party IP camera Recognizing and capturing the human side and back picture Searching picture by picture or attributes


Network Video Recorder

Model	Picture	IP Camera Input	Storage	RAID	Com-pression	Video Out	Audio	Alarm	Control	Ethernet	USB	Decoding Capability	Specialty
< NVR1829-01B		4/9/16 channel	1 x SATA	-	H.265/ H.264	1 x HDMI (4K) 1 x VGA	1 x Audio in 1 x Audio out	-	-	1 x 10/100M or 1 x Gigabit	2 x USB 2.0	Up to 1 x 4K@30fps / 4 x 1080p@30fps	PoE, Long Term Recording
< NVR1828-01B		9/16 channel	1 x SATA	-	H.265/ H.264	1 x HDMI (4K) 1 x VGA	1 x Audio in 1 x Audio out	4 x Inputs 2 x Outputs	1 x RS485	1 x Gigabit	2 x USB 2.0	Up to 1 x 4K@30fps / 4 x 1080p@30fps	PoE, Long Term Recording
< NVR1828-02B		4/9/16/32 channel	2 x SATA	-	H.265/ H.264	1 x HDMI (4K) 1 x VGA	1 x Audio in 1 x Audio out	4 x Inputs 2 x Outputs	1 x RS485	1 x Gigabit	2 x USB 2.0	Up to 1 x 4K@30fps / 4 x 1080p@30fps	PoE, Long Term Recording
< NVR1827-04B		9/16/32 channel	4 x SATA	-	H.265/ H.264	1 x HDMI (4K) 1 x VGA	1 x Audio in 1 x Audio out	4x Inputs 2 x Outputs	1 x RS485	1 x Gigabit	2 x USB 2.0	Up to 1 x 4K@30fps / 4 x 1080p@30fps	PoE, Long Term Recording
< NVR1821-04A		9/16/32 channel	4 x SATA 1 x eSATA	RAID 0/1/5/6/10	H.265/ H.264	1 x HDMI (4K) 1 x VGA	1 x Audio in 1 x Audio out	2 x Inputs 2 x Outputs	2 x RS485	2 x Gigabit	2 x USB 2.0 1 x USB 3.0	Up to 4 x 4K@30fps / 16 x 1080p@30fps	N+1 Backup Mobile Front-end Access
< NVR1821-08A		9/16/32/64 channel	8 x SATA 1 x eSATA	RAID 0/1/5/6/10	H.265/ H.264	1 x HDMI (4K) 1 x VGA	1 x Audio in 1 x Audio out	2 x Inputs 2 x Outputs	2 x RS485	2 x Gigabit	2 x USB 2.0 1 x USB 3.0	Up to 4 x 4K@30fps / 16 x 1080p@30fps	N+1 Backup Mobile Front-end Access
< NVR2821-04B/LI		9/16/32 channel	4 x SATA	RAID 0/1/5/6/10	H.265/ H.264	1 x HDMI (4K) 1 x VGA	1 x Audio in 1 x Audio out	-	1 x RS485 1 x RS232	3 x Gigabit	2 x USB 2.0 2 x USB 3.0	Up to 4 x 4K@30fps / 16 x 1080p@30fps	Mobile Front-end Access Human Recognition Camera Access Face Matching
< NVR2821-04B/HI		9/16/32 channel	4 x SATA	RAID 0/1/5/6/10	H.265/ H.264	1 x HDMI (4K) 1 x VGA	1 x Audio in 1 x Audio out	-	1 x RS485 1 x RS232	3 x Gigabit	2 x USB 2.0 2 x USB 3.0	Up to 4 x 4K@30fps / 16 x 1080p@30fps	Mobile Front-end Access Human Recognition Camera Access Face Matching
< NVR2881-16B/HI		16/32/64 channel	16 x SATA	RAID 0/1/5/6/10	H.265/ H.264	2 x HDMI (4K) 1 x VGA	1 x Audio in 1 x Audio out	2 x Inputs 2 x Outputs	1 x RS485 1 x RS232	3 x Gigabit	2 x USB 2.0 2 x USB 3.0	Up to 4 x 4K@30fps / 16 x 1080p@30fps	HDD Hot Swap Mobile Front-end Access Human Recognition Camera Access Face Matching
< NVR2821-03A/V		9/16/32 channel	3 x SATA 1 x eSATA	RAID 0/1/5 (optional)	H.265/ H.264	1 x HDMI (4K) 1 x VGA	1 x Audio in 1 x Audio out	2 x Inputs 2 x Outputs	2 x RS485	2 x Gigabit	2 x USB 2.0 1 x USB 3.0	Up to 4 x 4K@30fps / 16 x 1080p@30fps	N+1 Backup Mobile Front-end Access Anti-Salt Moisture-Proof Fungus-Proof HDD Shock-proof
< NVR2821-06A/V		9/16/32 channel	6 x SATA 1 x eSATA	RAID 0/1/5/6/10 (optional)	H.265/ H.264	1 x HDMI (4K) 1 x VGA	1 x Audio in 1 x Audio out	2 x Inputs 2 x Outputs	2 x RS485	2 x Gigabit	2 x USB 2.0 1 x USB 3.0	Up to 4 x 4K@30fps / 16 x 1080p@30fps	N+1 Backup Mobile Front-end Access Anti-Salt Moisture-Proof Fungus-Proof HDD Shock-proof
< NVR2860E-08A		16/32/48/64 channel	8 x SATA 1 x eSATA	RAID 0/1/5/6/10	H.265/ H.264	1 x HDMI (4K) 1 x VGA	1 x Audio in 1 x Audio out	2 x Inputs 2 x Outputs	2 x RS485	2 x Gigabit	2 x USB 2.0 1 x USB 3.0	Up to 4 x 4K@30fps / 16 x 1080p@30fps	HDD Hot Swap N+1 Backup Mobile Front-end Access
< NVR2882-16A		16/32/64 channel	16 x SATA 1 x eSATA	RAID 0/1/5/6/10	H.265/ H.264	1 x HDMI (4K) 1 x VGA	1 x Audio in 1 x Audio out	2 x Inputs 2 x Outputs	2 x RS485	2 x Gigabit	2 x USB 2.0 1 x USB 3.0	Up to 4 x 4K@30fps / 16 x 1080p@30fps	HDD Hot Swap N+1 Backup Mobile Front-end Access



Video Management System

Model	Picture	Features
< KDM2801H-G2		VMS - Video Management System Up to 1000 channel per unit Max. 640Mbps incoming bandwidth Max. 640Mbps output bandwidth Up to 300 users access simultaneously 8-level cascade 32 devices stack per level N+1 Hot Backup
< KDM2802A-G2		VMS - Video Management System Up to 5000 channel per unit Max. 640Mbps incoming bandwidth Max. 640Mbps output bandwidth Up to 300 users access simultaneously 8-level cascade 32 devices stack per level N+1 Hot Backup





IPSAN







Model	Picture	Features
< VS200G		Max. 500Mbps recording rate Max. 16 HDDs up to 96TB storage RAID 0/1/5/6/10, RAID X HDD hot-swap Redundant Power Supply










Encoder & Decoder











Model	Picture	Features
< KDM201		Modular architecture, 8 slots Max. 16 x 4K@30fps / 72 x 1080p@30fps / 144 x 720p@30fps decoder per unit H.264 / H.265
< IPA102		H.264 high profile video codec Dual-stream Micro SD Card Slot

Mobile Solutions

Model	Picture	Image Sensor	Resolution	Lens	IR	Compression	WDR	Ingress protection	Intelligent	Starlight	Storage	Specialty
< IPC521-H120-N		1/2.8"	2.0MP	20x	200m	H.265/H.264	Digital WDR	IP66	Motion Detection	0.003lux	Built-in SD card (optional)	Wiper
< IPC521-F233-N		1/2.8"	2.0MP	33x	200m	H.265/H.264	Ultra WDR	IP66	Motion Detection	0.003lux	Built-in SD card (optional)	Wiper
< IPC521-H120-W		1/2.8"	2.0MP	20x	60m	H.265/H.264	Digital WDR	IP66	Motion Detection	0.003lux	Built-in SD card (optional)	Built-in super magnet Wi-Fi supported Built-in battery
< IPC521-F120-G		1/2.8"	2.0MP	20x	80m	H.265/H.264	Digital WDR	IP66	Motion Detection	0.003lux	Built-in SD card (standard 128G)	Built-in super magnet Wi-Fi supported 3G / 4G supported Built-in battery

Model	Picture	Features
< KDM2410M-V21		Vehicle NVR / Wireless Mobile Encoder 4 Channel IP Camera + 4 Channel Analog Camera access H.265 / H.264 Built-in Wi-Fi AP module, can access Wi-Fi IP camera and PAD All mobile networks supported Built-in GPS module Supports dual SIM card bundle
< SVR2420-0204A/4P		Mobile NVR 8 x PoE Port (IEEE802.3af) 8 Channel IP camera access H.265 / H.264 8MP, 1080P, 720P, D1, CIF, QCIF Built-in Wi-Fi / GPS, Built-in 3G/4G Module (optional) Supports dual SIM card bundle 2 x 2.5" HDD Bay
< SVR2420-0208A/8P		Mobile NVR 4 x PoE Port (IEEE802.3af) 4 Channel IP camera access H.265 / H.264 8MP, 1080P, 720P, D1, CIF, QCIF Built-in Wi-Fi / GPS, Built-in 3G/4G Module (optional) Supports dual SIM card bundle 2 x 2.5" HDD Bay
< SVR2420-0212A/8P		Mobile NVR 8 x PoE Port (IEEE802.3af) 12 Channel IP camera access H.265 / H.264 8MP, 1080P, 720P, D1, CIF, QCIF Built-in Wi-Fi / GPS, Built-in 3G/4G Module (optional) Supports dual SIM card bundle 2 x 2.5" HDD Bay
< IPW200-P1HD		Body Worn Surveillance Phone Android 5.0 OS 5.5" 1080p HD IPS screen display Supports location function by GPS, GLONASS, Beidou Supports dual SIM dual standby IP67, adaptive to various environments 1.5 meters drop shock protection
< DSJ-U1		Body Worn Camera Deep customized Android OS Qualcomm 8 core mobile processor 2mp starlight camera 2.2" touchscreen display IR night vision, 15M Infrared Distance Wi-Fi, 3G / 4G, GPS location IP67, adaptive to various environments 2 meters drop shock protection

Model	Picture	Features
< ZCS-KDCA1		<ul style="list-style-type: none"> Data Docking Station Supports up to 24 units of Body Worn Cameras Supports extended module 13.3" touchscreen Record downloading and camera charging 3 slots for 3.5" hard disk supports up to 12TB storage
< USBCAM-130		<ul style="list-style-type: none"> Button Camera 1080p Mini Size Hidden wear Built-in Mic Low power consumption
< USBCAM-230		<ul style="list-style-type: none"> Ear-hook Camera 1080p Mini Size Built-in Mic Built-in earphone Low power consumption
< DSJ-VB01		<ul style="list-style-type: none"> Vehicle Holder Strong dash mount Adjustable angle
< DSJ-VB02		<ul style="list-style-type: none"> Vehicle Holder Dock for rear view mirror bracket Adjustable angle
< DSJ-SS01		<ul style="list-style-type: none"> Vest Holder Single Sided Strap Holder Customized leather case Adjustable elastic
< DSJ-SS02		<ul style="list-style-type: none"> Vest Holder Double Shoulder Strap Holder Customized leather case Adjustable elastic
< MA-B1		<ul style="list-style-type: none"> 1 x Charger Slot Constant current fast charge Trickle charge Overcurrent protection Short circuit protection 5V DC, 6W (Power Adapter Not Included)
< MA-B2		<ul style="list-style-type: none"> 6 x Charger Slot Constant current fast charge Trickle charge Overcurrent protection Short circuit protection AC100-240V, 50W
Model	Features	
< ZFS-KDCA1 Data Docking Station Management Software	<p>Device management for Body Worn Camera and Data Docking Station</p> <p>ZFS-KDCA1 can help you manage the data docking station by PC. You can easily access the data docking station and all the body worn cameras, and download the recordings and snapshots.</p> <p>ZFS-KDCA1 supports multiple device management. The software can manage up to 10,000 body worn cameras and 500 data docking stations.</p> <p>It supports graphical statistics, so you can get and view the operating statistics of all the body worn camera. B/S user interface</p>	
< VLine Communication Kit	<p>VLine is a communication Kit for Kedacom portable mobile devices, such as body worn camera and body worn surveillance phone.</p> <p>It can provide real-time communication service, such as Push-to-Talk and message chat.</p> <p>VLine supports address book and contacts service, so the body worn camera and body worn surveillance phone can easily communicate with other devices.</p> <p>Supports up to 500 client in a group, supports up to 50,000 users, supports low Message and PTT delay (< 500 ms) on 3G/4G networks</p>	

Model	Picture	Features
< KUV-A6120E		Wheelbase 1200mm; Arm umbrella folding design for easy carrying and rapid deployment Flying time 60min (no load); Image transmission standard distance 10km (signal without interference, no occlusion) Maximum mission load of 11kg; 6 rotorcraft x 1 set, battery x 1 set (30000mAh x 2 pieces), charger x 1 set, positive and negative paddles x 1 pair
< KUV-A6120		Wheelbase 1200mm; Arm umbrella folding design for easy carrying and rapid deployment Flying time 45min (no load); Image transmission standard distance 10km (signal without interference, no occlusion) Maximum mission load of 7kg; 6 rotorcraft x 1 set, battery x 1 set (22000mAh x 2 pieces), charger x 1 set, positive and negative paddles x 1 pair
< KUV-A4080		Wheelbase 800mm; Arm umbrella folding design for easy carrying and rapid deployment Flying time 30min (no load); Image transmission standard distance 10km (signal without interference, no occlusion) Maximum mission load of 1kg; 4 rotorcraft x 1 set, battery x 1 set (22000mAh x 1 pieces), charger x 1 set, positive and negative paddles x 1 pair
< KPL-Z230		30x optical zoom camera mount Starlight, 120dB Ultra WDR 2.0M, 1/2.8", H.265 / H.264, 1920x1080@60fps High-precision Tri-axial stabilization 1.1kg, Suitable for KUV-A6120E, KUV-A6120, KUV-A4080 aircraft
< KPL-R125		Thermal camera mount 25mm lens, 800x600@30fps H.265 / H.264 High-precision Tri-axial stabilization 700g, Suitable for KUV-A6120E, KUV-A6120, KUV-A4080 aircraft
< KPL-F2		Dual-Spectral camera mount Visible: 30x optical zoom, 120dB Ultra WDR, Starlight, 2.0M, 1/2.8", H.265 / H.264, 1920x1080@60fps Thermal: 25mm lens, 800x600@30fps, H.265 / H.264 High-precision Tri-axial stabilization 1.1kg, Suitable for KUV-A6120E, KUV-A6120 aircraft
< KPL-F808		4K Fixed camera mount 8mm lens, 8.0M, 1/1.7", 4096x2160@30fps H.265 / H.264 High-precision Tri-axial stabilization 350g, Suitable for KUV-A6120E, KUV-A6120, KUV-A4080 aircraft
< KPL-V1		Megaphone mount Broadcast distance up to 500 meters Audio data transmission distance up to 10km Built-in 2 MP mini camera 600g, Suitable for KUV-A6120E, KUV-A6120 aircraft
< KPL-P1		Throwing device mount Supports up to three dropping points, a single load exceeds 5kg (requires aircraft load capacity) Built-in 2 MP mini camera 498g, Suitable for KUV-A6120E, KUV-A6120 aircraft
< KGS-A		Integrated Ground Station KEDACOM Professional GCS Ground Station Software Ground image retransmission + remote control + 4G transmission + dual screen computer 10km image transmission (environment without signal interference) 8 hours working time Suitable for KUV-A6120E, KUV-A6120 aircraft
< KGS-C		Handheld Ground Station KEDACOM Professional GCS Ground Station Software Ground image retransmission + remote control + 4G transmission + tablet 7km image transmission (environment without signal interference) 2 hours working time Suitable for KUV-A6120E, KUV-A6120, KUV-A4080 aircraft
Model	Features	
< KVA-B30	30000mAh lithium battery, 22.2V Output, can be used for KUV-A6120E aircraft, contains two pieces of battery, packed in a explosion-proof box	
< KVA-B22	22000mAh lithium battery, 22.2V Output, can be used for KUV-A6120 aircraft, contains two pieces of battery, packed in a explosion-proof box	
< KVA-B22-4	22000mAh lithium battery, 22.2V Output, can be used for KUV-A4080 aircraft, contains one battery	

IPC2253-FNB-PIR40

2.0MP Starlight & Ultra WDR HD Network Mini IR Bullet Camera



Features

Excellent Image Quality

- 2.0 Megapixel 1/2.8" Progressive Scan CMOS Sensor
- High definition and smooth picture, 1080p@30fps
- H.265 video codec, saves up to 50% bandwidth and storage
- Ultra low illumination, 0.002lux with color picture
- 120dB Ultra WDR
- 3D noise reduction / HLC

Mini size

- 0.6 kg / 1.32lb (Gross Weight)
- 161.5 x 62 x 57mm / 6.36" x 2.44" x 2.24"

Intelligent Functions

- Motion detection / Tampering / Guard line / Enter guard area / Exit guard area

Integrated High Efficiency IR

- Industrial IR LED with long operational lifespan
- 40m IR distance
- Smart IR function

A Variety of Installation Modes

- Supports 90°, 180°, 270° image rotation

Abundant Functions and Features

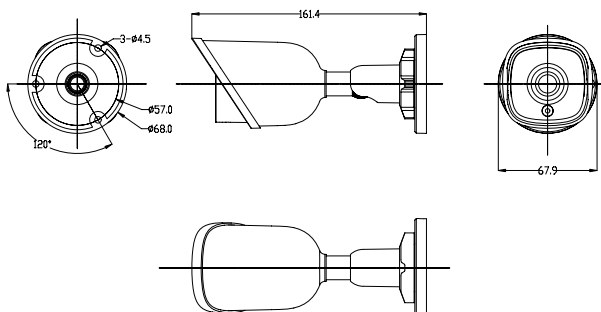
- Micro SD card slot, supports Automatic Network Replenishment (ANR)
- Dual-stream (1080p + D1)
- Anti-fog glass
- -40°C ~ 70°C operation temperature
- PoE
- IP67

Specifications

	IPC2253-FNB-PIR40
Camera	
Image Sensor	1/2.8" progressive scan CMOS
Pixels	2.0 Megapixel
Min. Illumination	Color: 0.002lux @ (F2.0, AGC ON) B/W: 0.0002lux @ (F2.0, AGC ON); 0lux with IR
Shutter Speed	1 ~ 1/30,000s
Day / Night	Auto (ICR) / Color / B/W
Wide Dynamic Range	Ultra WDR, >=120dB
S/N Ratio	>50dB
White Balance	Auto / Manual
Gain Control	Auto / Manual
Backlight Compensation	Off / WDR / BLC / HLC
Lens	
Mount Type	M12
Focal Length	3.6mm (-L0360) / 6mm (-L0600)
Angle of View	78.6° (-L0360) / 53.2° (-L0600)
Infrared	
IR Distance	40m (-L0360, -L0600)
IR Intensity	Smart IR
Video	
Compression	H.265 / H.264 / MJPEG
Image Resolution	Main stream: 1080p Secondary stream: D1
Frame Rate	Main stream: 1080p@30fps Secondary stream: D1@30fps
Bitrate	64kbps ~ 8Mbps
Bitrate Control	VBR / CBR
Dual-stream	Supported
Caption	Date and time / Alarm / Customized
Privacy Masking	Up to 4 zones
Motion Detection	Up to 4 zones
ROI	Supported
Digital Noise Reduction	3D noise reduction
Digital Defog	Supported
Image Flip	Flip / Mirror / Rotation at 90°, 180°, 270°
Network	
Network Protocols	TCP/IP, UDP, HTTP, DHCP, DNS/DDNS, RTP/RTCP, RTSP, PPPoE, FTP, VSIP, UPnP, 802.1x, NAT, QoS, SMTP, IPv4, IPv6 (optional)
User Interface	IPC Control (IE, Firefox, Chrome)
Max. User Access	Max. 10 Users (includes 2 internal)
Application Programming	ONVIF (Profile S, Profile G), GB/T 28181-2011, API, CGI
Automatic Network Replenishment (ANR)	Supported
Alarm	
Alarm Triggers	Network disconnect / Disk full / Disk error
Intelligent	Motion detection / Tampering / Guard line / Enter guard area / Exit guard area
Alarm Events	Alarm report / Recording / Text overlay / Snapshot / Email notice
Interfaces	
Ethernet	10/100M, RJ45 interface
Memory Slot	Micro SD card slot, supports up to 128GB
Environmental	
Operating Temperature	-40°C ~ 70°C / -40°F ~ 158°F
Operating Humidity	10% ~ 95%
Protection Level	IP67
Electrical	
Power	12V DC ± 10% / PoE (IEEE802.3af)
Power Consumption	Max. 7W
Mechanical	
Weight	0.6 kg / 1.32lb (Gross Weight)
Dimensions	161.5 x 62 x 57mm / 6.36" x 2.44" x 2.24"
Mounting Bracket	Bracket included

Dimensions

Units:mm



IPC2453-HNB-PIR30

4.0MP HD Network Mini IR Bullet Camera



Features

Excellent Image Quality

- 4.0 Megapixel 1/3" Progressive Scan CMOS Sensor
- High definition and smooth picture, 2592x1520@20fps
- H.265 video codec, saves up to 50% bandwidth and storage
- Low illumination, 0.05lux with color picture
- WDR / HLC / 3D noise reduction

Mini size

- 0.6 kg / 1.32lb (Gross Weight)
- 161.5 x 62 x 57mm / 6.36" x 2.44" x 2.24"

Intelligent Functions

- Motion detection / Tampering / Guard line / Enter guard area / Exit guard area

Integrated High Efficiency IR

- Industrial IR LED with long operational lifespan
- 30m IR distance
- Smart IR function

A Variety of Installation Modes

- Supports 90°, 180°, 270° image rotation

Abundant Functions and Features

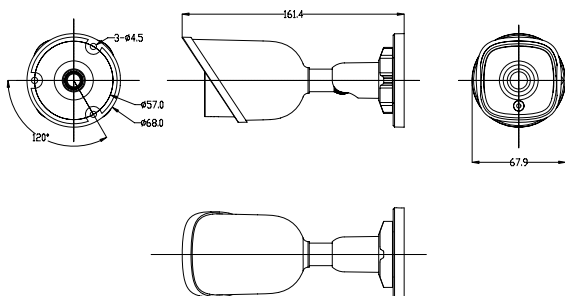
- Micro SD card slot, supports Automatic Network Replenishment (ANR)
- Dual-stream (2592x1520 + D1)
- Anti-fog glass
- -40°C ~ 70°C operation temperature
- PoE
- IP67

Specifications

	IPC2453-HNB-PIR30
Camera	
Image Sensor	1/3" progressive scan CMOS
Pixels	4.0 Megapixel
Min. Illumination	Color: 0.05lux B/W: 0lux with IR
Shutter Speed	1 ~ 1/30,000s
Day / Night	Auto (ICR) / Color / B/W
Wide Dynamic Range	Digital WDR
S/N Ratio	>50dB
White Balance	Auto / Manual
Gain Control	Auto / Manual
Backlight Compensation	Off / WDR / BLC / HLC
Lens	
Mount Type	M12
Focal Length	3.6mm (-L0360) / 6mm (-L0600)
Angle of View	78.6° (-L0360) / 53.2° (-L0600)
Infrared	
IR Distance	30m (-L0360, -L0600)
IR Intensity	Smart IR
Video	
Compression	H.265 / H.264 / MJPEG
Image Resolution	Main stream: 2592x1520 Secondary stream: D1
Frame Rate	Main stream: 2592x1520@20fps, 2048x1520@25fps, 1080p@30fps Secondary stream: D1@30fps
Bitrate	64kbps ~ 16Mbps
Bitrate Control	VBR / CBR
Dual-stream	Supported
Caption	Date and time / Alarm / Customized
Privacy Masking	Up to 4 zones
Motion Detection	Up to 4 zones
ROI	Supported
Digital Noise Reduction	3D noise reduction
Digital Defog	Supported
Image Flip	Flip / Mirror / Rotation at 90°, 180°, 270°
Network	
Network Protocols	TCP/IP, UDP, HTTP, DHCP, DNS/DDNS, RTP/RTCP, RTSP, PPPoE, FTP, VSIP, UPnP, 802.1x, NAT, QoS, SMTP, IPv4, IPv6 (optional)
User Interface	IPC Control (IE, Firefox, Chrome)
Max. User Access	Max. 10 Users (includes 2 internal)
Application Programming	ONVIF (Profile S, Profile G), GB/T 28181-2011, API, CGI
Automatic Network Replenishment (ANR)	Supported
Alarm	
Alarm Triggers	Network disconnect / Disk full / Disk error
Intelligent	Motion detection / Tampering / Guard line / Enter guard area / Exit guard area
Alarm Events	Alarm report / Recording / Text overlay / Snapshot / Email notice
Interfaces	
Ethernet	10/100M, RJ45 interface
Memory Slot	Micro SD card slot, supports up to 128GB
Environmental	
Operating Temperature	-40°C ~ 70°C / -40°F ~ 158°F
Operating Humidity	10% ~ 95%
Protection Level	IP67
Electrical	
Power	12V DC ± 10% / PoE (IEEE802.3af)
Power Consumption	Max. 7W
Mechanical	
Weight	0.6 kg / 1.32lb (Gross Weight)
Dimensions	161.5 x 62 x 57mm / 6.36" x 2.44" x 2.24"
Mounting Bracket	Bracket included

Dimensions

Units:mm



LC2150-BN-D

1.3MP HD Network IR Bullet Camera



Features

Excellent Image Quality

- 1.3 Megapixel 1/3" progressive scan CMOS sensor
- High definition and smooth picture, 960p@30fps
- Low illumination, 0.01lux with color picture
- WDR support / 3D noise reduction

Integrated High Efficiency IR

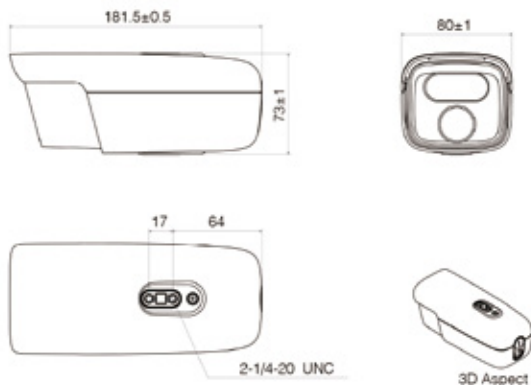
- Industrial IR LED with long operational lifespan
- 30 ~ 50m IR distance
- Smart IR function

Abundant Functions and Features

- Dual-stream (960p+D1)
- IP66

Dimensions

Units:mm



Specifications

	LC2150-BN-D(IR2, IR3, IR4, IR5, IR6)
Camera	
Image Sensor	1/3" progressive scan CMOS
Pixels	1.3 Megapixel
Min. Illumination	Color: 0.01lux @ (F1.6, AGC ON) B/W: 0lux with IR
Shutter Speed	1/10 ~ 1/10,000s
Day / Night	Auto (ICR) / Color / B/W
Wide Dynamic Range	Digital WDR
S/N Ratio	>50dB
White Balance	Auto / Manual
Gain Control	Auto / Manual
Backlight Compensation	Off / BLC / WDR
Lens	
Mount Type	M12
Focal Length	3.6mm (IR2) / 6mm (IR3) / 8mm (IR4) / 12mm (IR5) / 16mm (IR6)
Angle of View	76.2° (IR2) / 46.3° (IR3) / 35.6° (IR4) / 22.8° (IR5) / 16.9° (IR6)
Infrared	
IR LED	1 pc IR LED(IR2, IR3, IR4) 2 pcs IR LED(IR5, IR6)
IR Distance	30m (IR2, IR3, IR4) 50m (IR5, IR6)
IR Intensity	Smart IR
Video	
Compression	H.264
Image Resolution	Main stream: 960p Secondary stream: D1
Frame Rate	Main stream: 960p@30fps Secondary stream: D1@30fps
Bitrate	64kbps ~ 8Mbps
Bitrate Control	VBR / CBR
Dual-stream	Supported
Caption	Date and time / Alarm / Customized
Privacy Masking	Up to 4 zones
Motion Detection	Up to 4 zones
Video Freeze	Supported
Digital Noise Reduction	3D noise reduction
Image Flip	Flip / Mirror
Network	
Network Protocols	TCP/IP, UDP, HTTP, DHCP, DNS/DDNS, RTP/RTCP, RTSP, PPPoE, FTP, VSIP, UPnP, 802.1x, IPv4, IPv6 (optional)
User Interface	IPC Control (IE, Firefox, Chrome)
Max. User Access	Max. 10 Users (includes 2 internal)
Application Programming	ONVIF (Profile S), GB/T 28181-2011, API, CGI
Alarm	
Alarm Triggers	Motion detection
Alarm Events	Alarm caption / Snapshot
Interfaces	
Ethernet	10/100M, RJ45 interface
Environmental	
Operating Temperature	-30°C ~ 60°C / -22°F ~ 140°F
Operating Humidity	10% ~ 95%
Protection Level	IP66
Electrical	
Power	12V DC ± 10%
Power Consumption	Max. 11W
Mechanical	
Weight	1 kg / 2.2lb (Gross Weight)
Dimensions	181.5 x 80 x 73mm / 7.15" x 3.15" x 2.87"

IPC2152-HN-DIR

1.3MP HD Network IR Bullet Camera



Features

Excellent Image Quality

- 1.3 Megapixel 1/3" progressive scan CMOS sensor
- High definition and smooth picture, 960p@30fps
- H.265 video codec, saves up to 50% bandwidth and storage
- Low illumination, 0.01lux with color picture
- WDR / HLC / 3D noise reduction

Intelligent Functions

- Motion detection / Tampering / Guard line / Enter guard area / Exit guard area

Integrated High Efficiency IR

- Industrial IR LED with long operational lifespan
- 30 ~ 50m IR distance
- Smart IR function

A Variety of Installation Modes

- Supports 90°, 180°, 270° image rotation

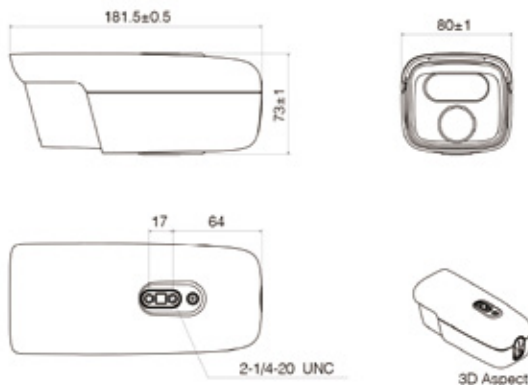
Abundant Functions and Features

- Dual-stream (960p + D1)
- Anti-fog glass
- -40°C ~ 70°C operation temperature
- IP66

Specifications

	IPC2152-HN-DIR
Camera	
Image Sensor	1/3" progressive scan CMOS
Pixels	1.3 Megapixel
Min. Illumination	Color: 0.01lux @ (F1.6, AGC ON) B/W: 0lux with IR
Shutter Speed	1 ~ 1/30,000s
Day / Night	Auto (ICR) / Color / B/W
Wide Dynamic Range	Digital WDR
S/N Ratio	>50dB
White Balance	Auto / Manual
Gain Control	Auto / Manual
Backlight Compensation	Off / WDR / BLC / HLC
Lens	
Mount Type	M12
Focal Length	3.6mm (-L0360) / 6mm (-L0600) / 8mm (-L0800) / 12mm (-L1200) / 16mm (-L1600)
Angle of View	78.6° (-L0360) / 53.2° (-L0600) / 36.8° (-L0800) / 23.7° (-L1200) / 17.8° (-L1600)
Infrared	
IR Distance	30m (-L0360, -L0600, -L0800)
IR Intensity	50m (-L1200, -L1600)
	Smart IR
Video	
Compression	H.265 / H.264 / MJPEG
Image Resolution	Main stream: 960p Secondary stream: D1
Frame Rate	Main stream: 960p@30fps Secondary stream: D1@30fps
Bitrate	64kbps ~ 16Mbps
Bitrate Control	VBR / CBR
Dual-stream	Supported
Caption	Date and time / Alarm / Customized
Privacy Masking	Up to 4 zones
Motion Detection	Up to 4 zones
ROI	Supported
Digital Noise Reduction	3D noise reduction
Digital Defog	Supported
Image Flip	Flip / Mirror / Rotation 90°, 180°, 270°
Network	
Network Protocols	TCP/IP, UDP, HTTP, DHCP, DNS/DDNS, RTP/RTCP, RTSP, PPPoE, FTP, VSIP, UPnP, 802.1x, NAT, QoS, SMTP, IPv4, IPv6 (optional)
User Interface	IPC Control (IE, Firefox, Chrome)
Max. User Access	Max. 10 Users (includes 2 internal)
Application Programming	ONVIF (Profile S, Profile G), GB/T 28181-2011, API, CGI
Alarm	
Alarm Triggers	Network disconnect
Intelligent	Motion detection / Tampering / Guard line / Enter guard area / Exit guard area
Alarm Events	Alarm report / Text overlay / Email notice
Interfaces	
Ethernet	10/100M, RJ45 interface
Environmental	
Operating Temperature	-40°C ~ 70°C / -40°F ~ 158°F
Operating Humidity	10% ~ 95%
Protection Level	IP66
Electrical	
Power	12V DC ± 10% / External PoE (Optional)
Power Consumption	Max. 11W
Mechanical	
Weight	1 kg / 2.2lb (Gross Weight)
Dimensions	181.5 x 80 x 73mm / 7.15" x 3.15" x 2.87"

Dimensions Units:mm



IPC2252-FN-DIR

2.0MP Starlight & Ultra WDR HD Network IR Bullet Camera



Features

Excellent Image Quality

- 2.0 Megapixel 1/2.8" progressive scan CMOS sensor
- High definition and smooth picture, 1080p@30fps
- H.265 video codec, saves up to 50% bandwidth and storage
- Ultra low illumination, 0.002lux with color picture
- 3D noise reduction / HLC

Intelligent Functions

- Motion detection / Tampering / Guard line / Enter guard area / Exit guard area

Integrated High Efficiency IR

- Industrial IR LED with long operational lifespan
- Up to 60m IR distance
- Smart IR function

A Variety of Installation Modes

- Supports 90°, 180°, 270° image rotation

Abundant Functions and Features

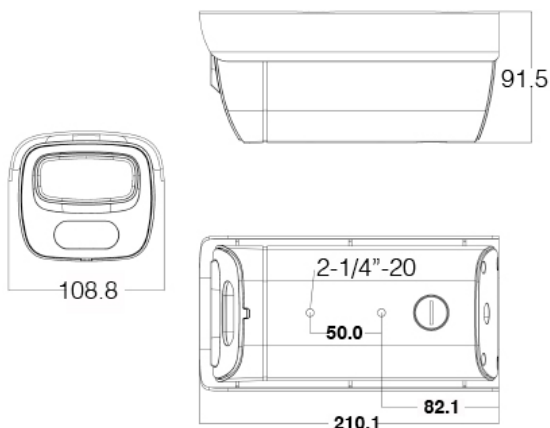
- Dual-stream (1080p + D1)
- Anti-fog glass
- -40°C ~ 70°C operation temperature
- IP66

Specifications

Camera	IPC2252-FN-DIR
Image Sensor	1/2.8" progressive scan CMOS
Pixels	2.0 Megapixel
Min. Illumination	Color: 0.002lux @ (F1.6, AGC ON) B/W: 0.0002lux @ (F1.6, AGC ON); 0lux with IR
Shutter Speed	1 ~ 1/30,000s
Day / Night	Auto (ICR) / Color / B/W
Wide Dynamic Range	Ultra WDR, >= 120db
S/N Ratio	> 50dB
White Balance	Auto / Manual
Gain Control	Auto / Manual
Backlight Compensation	Off / WDR / BLC / HLC
Lens	
Mount Type	M12
Focal Length	3.6mm (-L0360) / 6mm (-L0600) / 8mm (-L0800) / 12mm (-L1200) / 16mm (-L1600)
Angle of View	78.6° (-L0360) / 53.2° (-L0600) / 36.8° (-L0800) / 23.7° (-L1200) / 17.8° (-L1600)
Infrared	
IR Distance	60m
IR Intensity	Smart IR
Video	
Compression	H.265 / H.264 / MJPEG
Image Resolution	Main stream: 1080p Secondary stream: D1
Frame Rate	Main stream: 1080p@30fps Secondary stream: D1@30fps
Bitrate	64kbps ~ 16Mbps
Bitrate Control	VBR / CBR
Dual-stream	Supported
Caption	Date and time / Alarm / Customized
Privacy Masking	Up to 4 zones
Motion Detection	Up to 4 zones
ROI	Supported
Digital Noise Reduction	3D noise reduction
Digital Defog	Supported
Image Flip	Flip / Mirror / Rotation at 90°, 180°, 270°
Network	
Network Protocols	TCP/IP, UDP, HTTP, DHCP, DNS/DDNS, RTP/RTCP, RTSP, PPPoE, FTP, VSIP, UPnP, 802.1x, NAT, QoS, SMTP, IPv4, IPv6 (optional)
User Interface	IPC Control (IE, Firefox, Chrome)
Max. User Access	Max. 10 Users (includes 2 internal)
Application Programming	ONVIF (Profile S, Profile G), GB/T 28181-2011, API, CGI
Alarm	
Alarm Triggers	Network disconnect
Intelligent	Motion detection / Tampering / Guard line / Enter guard area / Exit guard area
Alarm Events	Alarm report / Text overlay / Email notice
Interfaces	
Ethernet	10/100M, RJ45 interface
Environmental	
Operating Temperature	-40°C ~ 70°C / -40°F ~ 158°F
Operating Humidity	10% ~ 95%
Protection Level	IP66
Electrical	
Power	12V DC ± 10%
Power Consumption	Max. 11W
Mechanical	
Weight	1 kg / 2.2lb (Gross Weight)
Dimensions	181.5 x 80 x 73mm / 7.15" x 3.15" x 2.87"

Dimensions

Units:mm



IPC2252-FN/FNB-PIR

2.0MP Starlight & Ultra WDR HD Network IR Bullet Camera



Features

Excellent Image Quality

- 2.0 Megapixel 1/2.8" Progressive Scan CMOS Sensor
- High definition and smooth picture, 1080p@30fps
- H.265 video codec, saves up to 50% bandwidth and storage
- Ultra low illumination, 0.002lux with color picture
- 120dB Ultra WDR
- 3D noise reduction / HLC

Intelligent Functions

- Motion detection / Tampering / Guard line / Enter guard area / Exit guard area

Integrated High Efficiency IR

- Industrial IR LED with long operational lifespan
- Up to 60m IR distance
- Smart IR function

A Variety of Installation Modes

- Supports 90°, 180°, 270° image rotation

Abundant Functions and Features

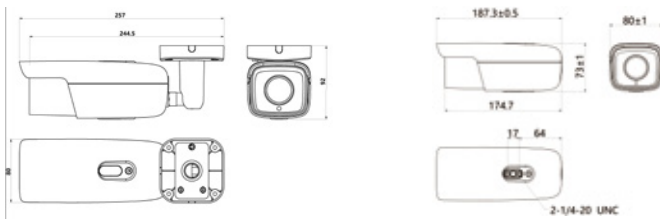
- Micro SD card slot, supports Automatic Network Replenishment (ANR)
- Dual-stream (1080p + D1)
- Anti-fog glass
- -40°C ~ 70°C operation temperature
- PoE
- IP67 (-FNB only)

Specifications

IPC2252-FN/FNB-PIR	
Camera	IPC2252-FN/FNB-PIR
Image Sensor	1/2.8" progressive scan CMOS
Pixels	2.0 Megapixel
Min. Illumination	Color: 0.002lux @ (F1.6, AGC ON) B/W: 0.0002lux @ (F1.6, AGC ON); 0lux with IR
Shutter Speed	1 ~ 1/30,000s
Day / Night	Auto (ICR) / Color / B/W
Wide Dynamic Range	Ultra WDR, >= 120db
S/N Ratio	> 50dB
White Balance	Auto / Manual
Gain Control	Auto / Manual
Backlight Compensation	Off / WDR / BLC / HLC
Lens	
Mount Type	M12
Focal Length	3.6mm (-L0360) / 6mm (-L0600) / 8mm (-L0800) / 12mm (-L1200) / 16mm (-L1600)
Angle of View	78.6° (-L0360) / 53.2° (-L0600) / 36.8° (-L0800) / 23.7° (-L1200) / 17.8° (-L1600)
Infrared	
IR Distance	60m
IR Intensity	Smart IR
Video	
Compression	H.265 / H.264 / MJPEG
Image Resolution	Main stream: 1080p Secondary stream: D1
Frame Rate	Main stream: 1080p@30fps Secondary stream: D1@30fps
Bitrate	64kbps ~ 16Mbps
Bitrate Control	VBR / CBR
Dual-stream	Supported
Caption	Date and time / Alarm / Customized
Privacy Masking	Up to 4 zones
Motion Detection	Up to 4 zones
ROI	Supported
Digital Noise Reduction	3D noise reduction
Digital Defog	Supported
Image Flip	Flip / Mirror / Rotation at 90°, 180°, 270°
Network	
Network Protocols	TCP/IP, UDP, HTTP, DHCP, DNS/DDNS, RTP/RTCP, RTSP, PPPoE, FTP, VSIP, UPnP, 802.1x, NAT, QoS, SMTP, IPv4, IPv6 (optional)
User Interface	IPC Control (IE, Firefox, Chrome)
Max. User Access	Max. 10 Users (includes 2 internal)
Application Programming	ONVIF (Profile S, Profile G), GB/T 28181-2011, API, CGI
Automatic Network Replenishment (ANR)	Supported
Alarm	
Alarm Triggers	Network disconnect / Disk full / Disk error
Intelligent Alarm Events	Motion detection / Tampering / Guard line / Enter guard area / Exit guard area
Alarm Events	Alarm report / Recording / Text overlay / Snapshot / Email notice
Interfaces	
Ethernet	10/100M, RJ45 interface
Memory Slot	Micro SD card slot, supports up to 128GB
Environmental	
Operating Temperature	-40°C ~ 70°C / -40°F ~ 158°F
Operating Humidity	10% ~ 95%
Protection Level	-FN: IP66 -FNB: IP67
Electrical	
Power	12V DC ± 10% / PoE (IEEE802.3af)
Power Consumption	Max. 11W
Mechanical	
Weight	-FN: 1kg / 2.2lb (Gross Weight) -FNB: 1.2kg / 2.65lb (Gross Weight)
Dimensions	-FN: 181.5 x 80 x 73mm / 7.15" x 3.15" x 2.87" -FNB: 271.3 x 80 x 87.8mm / 10.68" x 3.15" x 3.46"
Mounting Bracket	-FN: Bracket not included -FNB: Bracket included

Dimensions

Units:mm



IPC2252-FN/FNB-SIR

2.0MP Starlight & Ultra WDR HD Network IR Bullet Camera



Features

Excellent Image Quality

- 2.0 Megapixel 1/2.8" progressive scan CMOS sensor
- High definition and smooth picture, 1080p@30fps
- H.265 video codec, saves up to 50% bandwidth and storage
- Ultra low illumination, 0.002lux with color picture
- 120dB Ultra WDR
- 3D noise reduction / HLC

Intelligent Functions

- Motion detection / Tampering / Guard line / Defocus / Scene change / Enter guard area / Exit guard area / Object left / Object removal / Gathering / Audio surge

Integrated High Efficiency IR

- Industrial IR LED with long operational lifespan
- Up to 60m IR distance
- Smart IR function

A Variety of Installation Modes

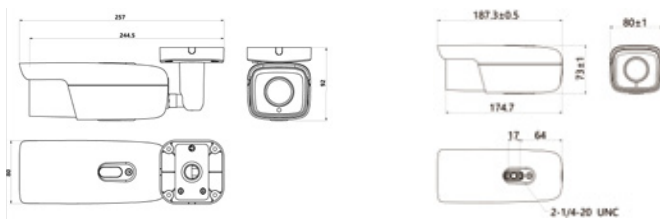
- Supports 90°, 180°, 270° image rotation

Abundant Functions and Features

- Micro SD card slot, supports Automatic Network Replenishment (ANR)
- Bi-directional audio / alarm in and out / video out / RS485
- 2 channel audio input simultaneously
- Dual-stream (1080p + D1)
- Anti-fog glass
- -40°C ~ 70°C operation temperature
- PoE
- IP67 (-FNB only)

Dimensions

Units:mm



Specifications

	IPC2252-FN/FNB-SIR
Camera	
Image Sensor	1/2.8" progressive scan CMOS
Pixels	2.0 Megapixel
Min. Illumination	Color: 0.002lux @ (F1.6, AGC ON) B/W: 0.0002lux @ (F1.6, AGC ON); 0lux with IR
Shutter Speed	1 ~ 1/30,000s
Day / Night	Auto (ICR) / Color / B/W
Wide Dynamic Range	Ultra WDR, >=120db
S/N Ratio	> 50db
White Balance	Auto / Manual
Gain Control	Auto / Manual
Backlight Compensation	Off / WDR / BLC / HLC
Lens	
Mount Type	M12
Focal Length	3.6mm (-L0360) / 6mm (-L0600) / 8mm (-L0800) / 12mm (-L1200) / 16mm (-L1600)
Angle of View	78.6° (-L0360) / 53.2° (-L0600) / 36.8° (-L0800) / 23.7° (-L1200) / 17.8° (-L1600)
Infrared	
IR Distance	60m
IR Intensity	Smart IR
Video	
Compression	H.265 / H.264 / MJPEG
Image Resolution	Main stream: 1080p Secondary stream: D1
Frame Rate	Main stream: 1080p@30fps Secondary stream: D1@30fps
Dual-stream	Supported
Caption	Date and time / Alarm / Customized
Privacy Masking	Up to 4 zones
Motion Detection	Up to 4 zones
ROI	Supported
Digital Noise Reduction	3D noise reduction
Digital Defog	Supported
Image Flip	Flip / Mirror / Rotation 90°, 180°, 270°
Audio	
Compression	G.711a / G.711u / ADPCM / G.722 / AAC-LC
Bitrate	32kbps ~ 64kbps
Audio Function	Bi-directional audio / AEC / Mixed audio recording / Dumb / Mute
Network	
Network Protocols	TCP/IP, UDP, HTTP, DHCP, DNS/DDNS, RTP/RTCP, RTSP, PPPoE, FTP, VSIP, UPnP, 802.1x, NAT, QoS, SMTP, IPv4, IPv6 (optional)
User Interface	IPC Control (IE, Firefox, Chrome)
Max. User Access	Max. 10 Users (includes 2 internal)
Application Programming	ONVIF (Profile S, Profile G), GB/T 28181-2011, API, CGI
Automatic Network Replenishment (ANR)	Supported
Alarm	
Alarm Triggers	Alarm input / Network disconnect / Disk full / Disk error
Intelligent	Motion detection / Tampering / Guard line / Defocus / Scene change / Enter guard area / Exit guard area / Object left / Object removal / Gathering / Audio surge
Alarm Events	Alarm report / Recording / Text overlay / Snapshot / External output / Email notice / Acoustic alarm
Interfaces	
Ethernet	10/100M, RJ45 interface
Audio In / Out	2 x Line in / 1 x Line out
Control	1 x RS485
Alarm In / Out	1 x Input / 1 x Output
Video Out	1 x BNC, 1.0V [p-p] / 75Ω
Memory Slot	Micro SD card slot, supports up to 128GB
Environmental	
Operating Temperature	-40°C ~ 70°C / -40°F ~ 158°F
Operating Humidity	10% ~ 95%
Protection Level	-FN: IP66 -FNB: IP67
Electrical	
Power	12V DC ± 10% / PoE (IEEE802.3af)
Power Consumption	Max. 11W
Mechanical	
Weight	-FN: 1kg / 2.2lb (Gross Weight) -FNB: 1.2kg / 2.65lb (Gross Weight)
Dimensions	-FN: 181.5 x 80 x 73mm / 7.15" x 3.15" x 2.87" -FNB: 271.3 x 80 x 87.8mm / 10.68" x 3.15" x 3.46"
Mounting Bracket	-FN: Bracket not included -FNB: Bracket included

IPC2452-HN-DIR

4.0MP HD Network IR Bullet Camera



Features

Excellent Image Quality

- 4.0 Megapixel 1/3" progressive scan CMOS sensor
- High definition and smooth picture, 2592x1520@20fps, 2048x1520@25fps, 1080p@30fps
- H.265 video codec, saves up to 50% bandwidth and storage
- Low illumination, 0.05lux with color picture
- WDR / HLC / 3D noise reduction

Intelligent Functions

- Motion detection / Tampering / Guard line / Enter guard area / Exit guard area

Integrated High Efficiency IR

- Industrial IR LED with long operational lifespan
- 30 ~ 50m IR distance
- Smart IR function

A Variety of Installation Modes

- Supports 90°, 180°, 270° image rotation

Abundant Functions and Features

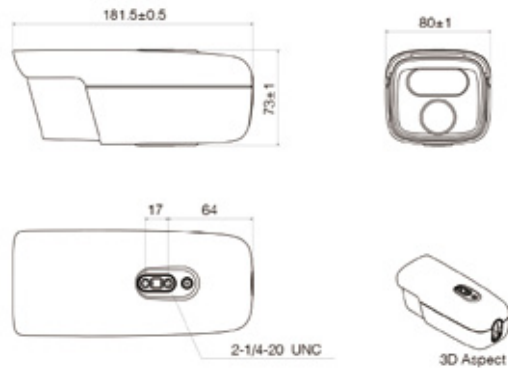
- Dual-stream (2592x1520 + D1)
- Anti-fog glass
- -40°C ~ 70°C operation temperature
- IP66

Specifications

	IPC2452-HN-DIR
Camera	
Image Sensor	1/3" progressive scan CMOS
Pixels	4.0 Megapixel
Min. Illumination	Color: 0.05lux @ (F1.6, AGC ON) B/W: 0lux with IR
Shutter Speed	1 ~ 1/30,000s
Day / Night	Auto (ICR) / Color / B/W
Wide Dynamic Range	Digital WDR
S/N Ratio	> 50dB
White Balance	Auto / Manual
Gain Control	Auto / Manual
Backlight Compensation	Off / WDR / BLC / HLC
Lens	
Mount Type	M12
Focal Length	3.6mm (-L0360) / 6mm (-L0600) / 8mm (-L0800) / 12mm (-L1200) / 16mm (-L1600)
Angle of View	78.6° (-L0360) / 53.2° (-L0600) / 36.8° (-L0800) / 23.7° (-L1200) / 17.8° (-L1600)
Infrared	
IR Distance	30m (-L0360, -L0600, -L0800)
IR Intensity	50m (-L1200, -L1600)
	Smart IR
Video	
Compression	H.265 / H.264 / MJPEG
Image Resolution	Main stream: 2592x1520 Secondary stream: D1
Frame Rate	Main stream: 2592x1520@20fps, 2048x1520@25fps, 1080p@30fps Secondary stream: D1@30fps
Bitrate	64kbps ~ 16Mbps
Bitrate Control	VBR / CBR
Dual-stream	Supported
Caption	Date and time / Alarm / Customized
Privacy Masking	Up to 4 zones
Motion Detection	Up to 4 zones
ROI	Supported
Digital Noise Reduction	3D noise reduction
Digital Defog	Supported
Image Flip	Flip / Mirror / Rotation 90°, 180°, 270°
Network	
Network Protocols	TCP/IP, UDP, HTTP, DHCP, DNS/DDNS, RTP/RTCP, RTSP, PPPoE, FTP, VSIP, UPnP, 802.1x, NAT, QoS, SMTP, IPv4, IPv6 (optional)
User Interface	IPC Control (IE, Firefox, Chrome)
Max. User Access	Max. 10 Users (includes 2 internal)
Application Programming	ONVIF (Profile S, Profile G), GB/T 28181-2011, API, CGI
Alarm	
Alarm Triggers	Network disconnect
Intelligent	Motion detection / Tampering / Guard line / Enter guard area / Exit guard area
Alarm Events	Alarm report / Text overlay / Email notice
Interfaces	
Ethernet	10/100M, RJ45 interface
Environmental	
Operating Temperature	-40°C ~ 70°C / -40°F ~ 158°F
Operating Humidity	10% ~ 95%
Protection Level	IP66
Electrical	
Power	12V DC ± 10% / External PoE (Optional)
Power Consumption	Max. 11W
Mechanical	
Weight	1 kg / 2.2lb (Gross Weight)
Dimensions	181.5 x 80 x 73mm / 7.15" x 3.15" x 2.87"

Dimensions

Units:mm



IPC2452-HN/HNB-PIR

4.0MP HD Network IR Bullet Camera



Features

Excellent Image Quality

- 4.0 Megapixel 1/3" progressive scan CMOS Sensor
- High definition and smooth picture, 2592×1520@20fps, 2048×1520@25fps, 1080p@30fps
- H.265 video codec, saves up to 50% bandwidth and storage
- Low illumination, 0.05lux with color picture
- WDR / HLC / 3D noise reduction

Intelligent Functions

- Motion detection / Tampering / Guard line / Enter guard area / Exit guard area

Integrated High Efficiency IR

- Industrial IR LED with long operational lifespan
- 30 ~ 50m IR distance
- Smart IR function

A Variety of Installation Modes

- Supports 90°, 180°, 270° image rotation

Abundant Functions and Features

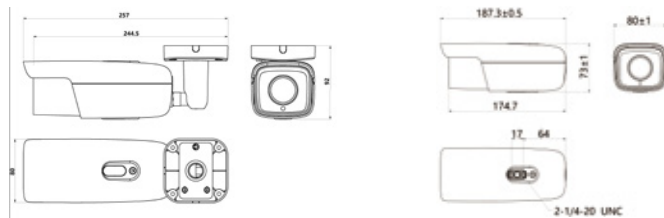
- Micro SD card slot, supports Automatic Network Replenishment (ANR)
- Dual-stream (2592×1520 + D1)
- Anti-fog glass
- -40°C ~ 70°C operation temperature
- PoE
- IP67 (-HNB only)

Specifications

IPC2452-HN/HNB-PIR	
Camera	IPC2452-HN/HNB-PIR
Image Sensor	1/3" progressive scan CMOS
Pixels	4.0 Megapixel
Min. Illumination	Color: 0.05lux @ (F1.6, AGC ON) B/W: 0lux with IR
Shutter Speed	1 ~ 1/30,000s
Day / Night	Auto (ICR) / Color / B/W
Wide Dynamic Range	Digital WDR
S/N Ratio	>50dB
White Balance	Auto / Manual
Gain Control	Auto / Manual
Backlight Compensation	Off / WDR / BLC / HLC
Lens	
Mount Type	M12
Focal Length	3.6mm (-L0360) / 6mm (-L0600) / 8mm (-L0800) / 12mm (-L1200) / 16mm (-L1600)
Angle of View	78.6° (-L0360) / 53.2° (-L0600) / 36.8° (-L0800) / 23.7° (-L1200) / 17.8° (-L1600)
Infrared	
IR Distance	30m (-L0360, -L0600, -L0800) 50m (-L1200, -L1600)
IR Intensity	Smart IR
Video	
Compression	H.265 / H.264 / MJPEG
Image Resolution	Main stream: 2592×1520 Secondary stream: D1
Frame Rate	Main stream: 2592×1520@20fps, 2048×1520@25fps, 1080p@30fps Secondary stream: D1@30fps
Bitrate	64kbps ~ 16Mbps
Bitrate Control	VBR / CBR
Dual-stream	Supported
Caption	Date and time / Alarm / Customized
Privacy Masking	Up to 4 zones
Motion Detection	Up to 4 zones
ROI	Supported
Digital Noise Reduction	3D noise reduction
Digital Defog	Supported
Image Flip	Flip / Mirror / Rotation at 90°, 180°, 270°
Network	
Network Protocols	TCP/IP, UDP, HTTP, DHCP, DNS/DDNS, RTP/RTCP, RTSP, PPPoE, FTP, VSIP, UPnP, 802.1x, NAT, QoS, SMTP, IPv4, IPv6 (optional)
User Interface	IPC Control (IE, Firefox, Chrome)
Max. User Access	Max. 10 Users (includes 2 internal)
Application Programming	ONVIF (Profile S, Profile G), GB/T 28181-2011, API, CGI
Automatic Network Replenishment (ANR)	Supported
Alarm	
Alarm Triggers	Network disconnect / Disk full / Disk error
Intelligent	Motion detection / Tampering / Guard line / Enter guard area / Exit guard area
Alarm Events	Alarm report / Recording / Text overlay / Snapshot / Email notice
Interfaces	
Ethernet	10/100M, RJ45 interface
Memory Slot	Micro SD card slot, supports up to 128GB
Environmental	
Operating Temperature	-40°C ~ 70°C / -40°F ~ 158°F
Operating Humidity	10% ~ 95%
Protection Level	-HN: IP66 -HNB: IP67
Electrical	
Power	12V DC ± 10% / PoE (IEEE802.3af)
Power Consumption	Max. 11W
Mechanical	
Weight	-HN: 1kg / 2.2lb (Gross Weight) -HNB: 1.2kg / 2.65lb (Gross Weight)
Dimensions	-HN: 181.5 x 80 x 73mm / 7.15" x 3.15" x 2.87" -HNB: 271.3 x 80 x 87.8mm / 10.68" x 3.15" x 3.46"
Mounting Bracket	-HN: Bracket not included -HNB: Bracket included

Dimensions

Units:mm



IPC2452-HN/HNB-SIR

4.0MP HD Network IR Bullet Camera



Features

Excellent Image Quality

- 4.0 Megapixel 1/3" progressive scan CMOS sensor
- High definition and smooth picture, 2592×1520@20fps, 2048×1520@25fps, 1080p@30fps
- H.265 video codec, saves up to 50% bandwidth and storage
- Low illumination, 0.05lux with color picture
- WDR / HLC / 3D noise reduction

Intelligent Functions

- Motion detection / Tampering / Guard line / Defocus / Scene change / Enter guard area / Exit guard area / Object left / Object removal / Gathering / Audio surge

Integrated High Efficiency IR

- Industrial IR LED with long operational lifespan
- 30 ~ 50m IR distance
- Smart IR function

A Variety of Installation Modes

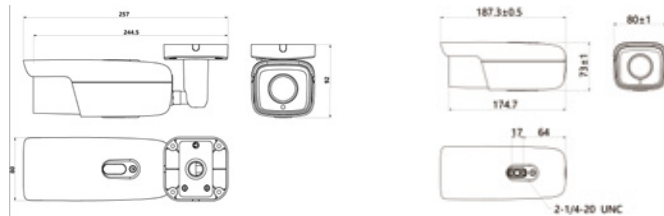
- Supports 90°, 180°, 270° image rotation

Abundant Functions and Features

- Micro SD card slot, supports Automatic Network Replenishment (ANR)
- Bi-directional audio / alarm in and out / video out / RS485
- 2 channel audio input simultaneously
- Dual-stream (2592×1520 + D1)
- Anti-fog glass
- -40°C ~ 70°C operation temperature
- PoE
- IP67 (-HNB only)

Dimensions

Units:mm



Specifications

IPC2452-HN/HNB-SIR	
Camera	IPC2452-HN/HNB-SIR
Image Sensor	1/3" progressive scan CMOS
Pixels	4.0 Megapixel
Min. Illumination	Color: 0.05lux @ (F1.6, AGC ON) B/W: 0lux with IR
Shutter Speed	1 ~ 1/30,000s
Day / Night	Auto (ICR) / Color / B/W
Wide Dynamic Range	Digital WDR
S/N Ratio	>50dB
White Balance	Auto / Manual
Gain Control	Auto / Manual
Backlight Compensation	Off / WDR / BLC / HLC
Lens	
Mount Type	M12
Focal Length	3.6mm (-L0360) / 6mm (-L0600) / 8mm (-L0800) / 12mm (-L1200) / 16mm (-L1600)
Angle of View	78.6° (-L0360) / 53.2° (-L0600) / 36.8° (-L0800) / 23.7° (-L1200) / 17.8° (-L1600)
Infrared	
IR Distance	30m (-L0360, -L0600, -L0800) 50m (-L1200, -L1600)
IR Intensity	Smart IR
Video	
Compression	H.265 / H.264 / MJPEG
Image Resolution	Main stream: 2592×1520 Secondary stream: D1
Frame Rate	Main stream: 2592×1520@20fps, 2048×1520@25fps, 1080p@30fps Secondary stream: D1@30fps
Bitrate	64kbps ~ 16Mbps
Bitrate Control	VBR / CBR
Dual-stream	Supported
Caption	Date and time / Alarm / Customized
Privacy Masking	Up to 4 zones
Motion Detection	Up to 4 zones
ROI	Supported
Digital Noise Reduction	3D noise reduction
Digital Defog	Supported
Image Flip	Flip / Mirror / Rotation 90°, 180°, 270°
Audio	
Compression	G.711a / G.711u / ADPCM / G.722 / AAC-LC
Bitrate	32kbps ~ 64kbps
Audio Function	Bi-directional audio / AEC / Mixed audio recording / Dumb / Mute
Network	
Network Protocols	TCP/IP, UDP, HTTP, DHCP, DNS/DDNS, RTP/RTCP, RTSP, PPPoE, FTP, VSIP, UPnP, 802.1x, NAT, QoS, SMTP, IPv4, IPv6 (optional)
User Interface	IPC Control (IE, Firefox, Chrome)
Max. User Access	Max. 10 Users (includes 2 internal)
Application Programming	ONVIF (Profile S, Profile G), GB/T 28181-2011, API, CGI
Automatic Network Replenishment (ANR)	Supported
Alarm	
Alarm Triggers	Alarm input / Network disconnect / Disk full / Disk error
Intelligent	Motion detection / Tampering / Guard line / Defocus / Scene change / Enter guard area / Exit guard area / Object left / Object removal / Gathering / Audio surge
Alarm Events	Alarm report / Recording / Text overlay / Snapshot / External output / Email notice / Acoustic alarm
Interfaces	
Ethernet	10/100M, RJ45 interface
Audio In / Out	2 x Line in / 1 x Line out
Control	1 x RS485
Alarm In / Out	1 x Input / 1 x Output
Video Out	1 x BNC, 1.0V [p-p] / 75Ω
Memory Slot	Micro SD card slot, supports up to 128GB
Environmental	
Operating Temperature	-40°C ~ 70°C / -40°F ~ 158°F
Operating Humidity	10% ~ 95%
Protection Level	-HN: IP66 -HNB: IP67
Electrical	
Power	12V DC ± 10% / PoE (IEEE802.3af)
Power Consumption	Max. 11W
Mechanical	
Weight	-HN: 1kg / 2.2lb (Gross Weight) -HNB: 1.2kg / 2.65lb (Gross Weight)
Dimensions	-HN: 181.5 x 80 x 73mm / 7.15" x 3.15" x 2.87" -HNB: 271.3 x 80 x 87.8mm / 10.68" x 3.15" x 3.46"
Mounting Bracket	-HN: Bracket not included -HNB: Bracket included

IPC2252-FN/FNB-PIR50-Z2812

2.0MP Starlight & Ultra WDR HD Network Varifocal IR Bullet Camera



Features

Excellent Image Quality

- 2.0 Megapixel 1/2.8" progressive scan CMOS sensor
- High definition and smooth picture, 1080p@30fps
- H.265 video codec, saves up to 50% bandwidth and storage
- Ultra low illumination, 0.002lux with color picture
- 120dB Ultra WDR
- 3D noise reduction / Auto Iris / HLC

Intelligent Functions

- Motion detection / Tampering / Guard line / Enter guard area / Exit guard area

Integrated High Efficiency IR

- Industrial IR LED with long operational lifespan
- 50 ~ 70m IR distance
- Smart IR function

A Variety of Installation Modes

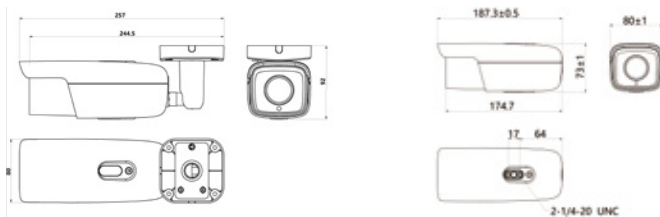
- Supports 90°, 180°, 270° image rotation
- Motorized varifocal lens

Abundant Functions and Features

- Micro SD card slot, supports Automatic Network Replenishment (ANR)
- Up to 3 video streams
- Anti-fog with heating glass
- -40°C ~ 70°C operation temperature
- PoE
- IP67 (-FNB only)

Dimensions

Units:mm



Specifications

	IPC2252-FN/FNB-PIR50-Z2812
Camera	
Image Sensor	1/2.8" progressive scan CMOS
Pixels	2.0 Megapixel
Min. Illumination	Color: 0.002lux @ (F1.6, AGC ON) B/W: 0.0002lux @ (F1.6, AGC ON); 0lux with IR
Shutter Speed	1 ~ 1/30,000s
Day / Night	Auto (ICR) / Color / B/W
Wide Dynamic Range	Ultra WDR, >=120dB
S/N Ratio	>50dB
White Balance	Auto / Manual
Gain Control	Auto / Manual
Backlight Compensation	Off / WDR / BLC / HLC
Lens	
Mount Type	Ø14
Auto Iris	DC drive
Focal Length	2.8-12mm @ F1.6 motorized varifocal lens
Focus Control	Manual / Semi-Automatic / Auto
Angle of View	95° ~ 38°
Infrared	
IR Distance	50 ~ 70m
IR Intensity	Smart IR
Video	
Compression	H.265 / H.264 / MJPEG
Image Resolution	Supported
	Main stream: 1080p Secondary stream: D1
Frame Rate	Main stream: 1080p@30fps Secondary stream: D1@30fps
Bitrate	32kbps ~ 16Mbps
Bitrate Control	VBR / CBR
Multi-stream	Supported
Caption	Date and time / Alarm / Customized
Privacy Masking	Up to 4 zones
Motion Detection	Up to 4 zones
ROI	Supported
Digital Noise Reduction	3D noise reduction
Digital Defog	Supported
Image Flip	Flip / Mirror / Rotation 90°, 180°, 270°
Audio	
Compression	G.711a / G.711u / ADPCM / G.722 / AAC-LC / G.722.1c / G.726
Bitrate	32kbps ~ 64kbps
Audio Function	Bi-directional audio / AEC / Mixed audio recording / Dumb / Mute
Network	
Network Protocols	TCP/IP, UDP, HTTP, DHCP, DNS/DDNS, RTP/RTCP, RTSP, PPPoE, FTP, VSIP, UPnP, 802.1x, NAT, QoS, SMTP, IPv4, IPv6 (optional)
User Interface	IPC Control (IE, Firefox, Chrome)
Max. User Access	Max. 10 Users (includes 2 internal)
Application Programming	ONVIF (Profile S, Profile G), GB/T 28181-2011, API, CGI
Automatic Network Replenishment (ANR)	Supported
Alarm	
Alarm Triggers	Alarm input / Network disconnect / Disk full / Disk error
Intelligent	Motion detection / Tampering / Guard line / Defocus / Scene change / Enter guard area / Exit guard area / Object left / Object removal / Gathering / Audio surge
Alarm Events	Alarm report / Recording / Text overlay / Snapshot / External output / Email notice / Acoustic alarm
Interfaces	
Ethernet	10/100M, RJ45 interface
Audio In / Out	2 x Line in / 1 x Line out
Control	1 x RS-485
Alarm In / Out	1 x Input / 1 x Output
Video Out	1 x BNC, 1.0V p-p / 75Ω
Memory Slot	Micro SD card slot, supports up to 128GB
Environmental	
Operating Temperature	-40°C ~ 70°C / -40°F ~ 158°F
Operating Humidity	10% ~ 95%
Protection Level	FN: IP66 FNB: IP67
Electrical	
Power	12V DC ± 10% / PoE (IEEE802.3af)
Power Consumption	Max. 11W
Mechanical	
Weight	FN: 1kg / 2.2lb (Gross Weight) FNB: 1.2kg / 2.65lb (Gross Weight)
Dimensions	FN: 187.3 x 80 x 73mm / 7.37" x 3.15" x 2.87" FNB: 271.3 x 80 x 87.8mm / 10.68" x 3.15" x 3.46"
Mounting Bracket	FN: Bracket not included FNB: Bracket included

IPC2252-FN/FNB-SIR50-Z2812

2.0MP Starlight & Ultra WDR HD Network Varifocal IR Bullet Camera



Features

Excellent Image Quality

- 2.0 Megapixel 1/2.8" progressive scan CMOS sensor
- High definition and smooth picture, 1080p@30fps
- H.265 video codec, saves up to 50% bandwidth and storage
- Ultra low illumination, 0.002lux with color picture
- 120dB Ultra WDR
- 3D noise reduction / Auto Iris / HLC

Intelligent Functions

- Motion detection / Tampering / Guard line / Defocus / Scene change / Enter guard area / Exit guard area / Object left / Object removal / Gathering / Audio surge

Integrated High Efficiency IR

- Industrial IR LED with long operational lifespan
- 50 ~ 70m IR distance
- Smart IR function

A Variety of Installation Modes

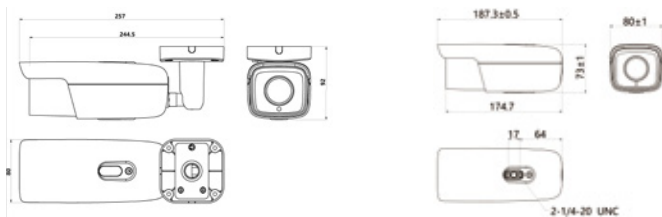
- Supports 90°, 180°, 270° image rotation
- Motorized varifocal lens

Abundant Functions and Features

- Micro SD card slot, supports Automatic Network Replenishment (ANR)
- Bi-directional audio / alarm in and out / video out / RS485
- 2 channel audio input simultaneously
- Up to 3 Multi-stream
- Anti-fog with heating glass
- -40°C ~ 70°C operation temperature
- PoE
- IP67 (-FNB only)

Dimensions

Units:mm



Specifications

	IPC2252-FN/FNB-SIR50-Z2812
Camera	
Image Sensor	1/2.8" progressive scan CMOS
Pixels	2.0 Megapixel
Min. Illumination	Color: 0.002lux @ (F1.6, AGC ON) B/W: 0.0002lux @ (F1.6, AGC ON); 0lux with IR
Shutter Speed	1 ~ 1/30,000s
Day / Night	Auto (ICR) / Color / B/W
Wide Dynamic Range	Ultra WDR, >=120dB
S/N Ratio	>50dB
White Balance	Auto / Manual
Gain Control	Auto / Manual
Backlight Compensation	Off / WDR / BLC / HLC
Lens	
Mount Type	Ø14
Auto Iris	DC drive
Focal Length	2.8-12mm @ F1.6 motorized varifocal lens
Focus Control	Manual / Semi-Automatic / Auto
Angle of View	95°~ 38°
Infrared	
IR Distance	50 ~ 70m
IR Intensity	Smart IR
Video	
Compression	H.265 / H.264 / MJPEG
Image Resolution	Main stream: 1080p Secondary stream: D1
Frame Rate	Main stream: 1080p@30fps Secondary stream: D1@30fps
Bitrate	32kbps ~ 16Mbps
Bitrate Control	VBR / CBR
Multi-stream	Supported
Caption	Date and time / Alarm / Customized
Privacy Masking	Up to 4 zones
Motion Detection	Up to 4 zones
ROI	Supported
Digital Noise Reduction	3D noise reduction
Digital Defog	Supported
Image Flip	Flip / Mirror / Rotation at 90°, 180°, 270°
Audio	
Compression	G.711a / G.711u / ADPCM / G.722 / AAC-LC / G.722.1c / G.726
Bitrate	32kbps ~ 64kbps
Audio Function	Bi-directional audio / AEC / Mixed audio recording / Dumb / Mute
Network	
Network Protocols	TCP/IP, UDP, HTTP, DHCP, DNS/DDNS, RTP/RTCP, RTSP, PPPoE, FTP, VSIP, UPnP, 802.1x, NAT, QoS, SMTP, IPv4, IPv6 (optional)
User Interface	IPC Control (IE, Firefox, Chrome)
Max. User Access	Max. 10 Users (includes 2 internal)
Application Programming	ONVIF (Profile S, Profile G), GB/T 28181-2011, API, CGI
Automatic Network Replenishment (ANR)	Supported
Alarm	
Alarm Triggers	Alarm input / Network disconnect / Disk full / Disk error
Intelligent	Motion detection / Tampering / Guard line / Defocus / Scene change / Enter guard area / Exit guard area / Object left / Object removal / Gathering / Audio surge
Alarm Events	Alarm report / Recording / Text overlay / Snapshot / External output / Email notice / Acoustic alarm
Interfaces	
Ethernet	10/100M, RJ45 interface
Audio In / Out	2 x Line in / 1 x Line out
Control	1 x RS485
Alarm In / Out	1 x Input / 1 x Output
Video Out	1 x BNC, 1.0V [p-p] / 75Ω
Memory Slot	Micro SD card slot, supports up to 128GB
Environmental	
Operating Temperature	-40°C ~ 70°C / -40°F ~ 158°F
Operating Humidity	10% ~ 95%
Protection Level	FN: 1kg / 2.2lb (Gross Weight) FNB: 1.2kg / 2.65lb (Gross Weight)
Electrical	
Power	12V DC ± 10% / PoE (IEEE802.3af)
Power Consumption	Max. 11W
Mechanical	
Weight	FN: 1kg / 2.2lb (Gross Weight) FNB: 1.2kg / 2.65lb (Gross Weight)
Dimensions	FN: 187.3 x 80 x 73mm / 7.37" x 3.15" x 2.87" FNB: 271.3 x 80 x 87.8mm / 10.68" x 3.15" x 3.46"
Mounting Bracket	FN: Bracket not included FNB: Bracket included

IPC2452-HN/HNB-PIR50-Z2812

4.0MP HD Network Varifocal IR Bullet Camera



Features

Excellent Image Quality

- 4.0 Megapixel 1/3" progressive scan CMOS sensor
- High definition and smooth picture, 2592×1520@20fps, 2048×1520@25fps, 1080p@30fps
- H.265 video codec, saves up to 50% bandwidth and storage
- Low illumination, 0.05lux with color picture
- WDR / HLC / Auto Iris / 3D noise reduction

Intelligent Functions

- Motion detection / Tampering / Guard line / Enter guard area / Exit guard area

Integrated High Efficiency IR

- Industrial IR LED with long operational lifespan
- 30 ~ 50m IR distance
- Smart IR function

A Variety of Installation Modes

- Supports 90°, 180°, 270° image rotation
- Motorized varifocal lens

Abundant Functions and Features

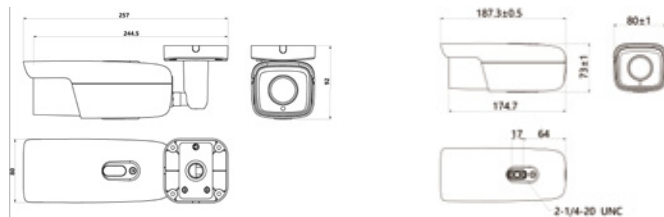
- Micro SD card slot, supports Automatic Network Replenishment (ANR)
- Up to 3 video streams
- Anti-fog with heating glass
- -40°C ~ 70°C operation temperature
- PoE
- IP67 (-HNB only)

Specifications

	IPC2452-HN/HNB-SIR50-Z2812
Camera	
Image Sensor	1/3" progressive scan CMOS
Pixels	4.0 Megapixel
Min. Illumination	Color: 0.05lux @ (F1.6, AGC ON) B/W: 0lux with IR
Shutter Speed	1L ~ 1/30,000s
Day / Night	Auto (ICR) / Color / B/W
Wide Dynamic Range	Digital WDR
S/N Ratio	>50dB
White Balance	Auto / Manual
Gain Control	Auto / Manual
Backlight Compensation	Off / WDR / BLC / HLC
Lens	
Mount Type	Ø14
Auto Iris	DC drive
Focal Length	2.8-12mm @ F1.6 motorized varifocal lens
Focus Control	Manual / Semi-Automatic / Auto
Angle of View	95°~ 38°
Infrared	
IR Distance	30 ~ 50m
IR Intensity	Smart IR
Video	
Compression	H.265 / H.264 / MJPEG
Image Resolution	Main stream: 2592×1520 Secondary stream: D1
Frame Rate	Main stream: 2592×1520@20fps, 2048×1520@25fps, 1080p@30fps Secondary stream: D1@30fps
Bitrate	32kbps ~ 16Mbps
Bitrate Control	VBR / CBR
Multi-stream	Supported
Caption	Date and time / Alarm / Customized
Privacy Masking	Up to 4 zones
Motion Detection	Up to 4 zones
ROI	Supported
Digital Noise Reduction	3D noise reduction
Digital Defog	Supported
Image Flip	Flip / Mirror / Rotation 90°, 180°, 270°
Network	
Network Protocols	TCP/IP, UDP, HTTP, DHCP, DNS/DDNS, RTP/RTCP, RTSP, PPPoE, FTP, VSIP, UPnP, 802.1x, NAT, QoS, SMTP, IPv4, IPv6 (optional)
User Interface	IPC Control (IE, Firefox, Chrome)
Max. User Access	Max. 10 Users (includes 2 internal)
Application Programming	ONVIF (Profile S, Profile G), GB/T 28181-2011, API, CGI
Automatic Network Replenishment (ANR)	Supported
Alarm	
Alarm Triggers	Network disconnect / Disk full / Disk error
Intelligent Alarm Events	Motion detection / Tampering / Guard line / Enter guard area / Exit guard area
Alarm Events	Alarm report / Recording / Text overlay / Snapshot / Email notice
Interfaces	
Ethernet	10/100M, RJ45 interface
Memory Slot	Micro SD card slot, supports up to 128GB
Environmental	
Operating Temperature	-40°C ~ 70°C / -40°F ~ 158°F
Operating Humidity	10% ~ 95%
Protection Level	-HN: IP66 -HNB: IP67
Electrical	
Power	12V DC ± 10% / PoE (IEEE802.3af)
Power Consumption	Max. 11W
Mechanical	
Weight	-HN: 1kg / 2.2lb (Gross Weight) -HNB: 1.2kg / 2.65lb (Gross Weight)
Dimensions	-HN: 187.3 x 80 x 73mm / 7.37" x 3.15" x 2.87" -HNB: 271.3 x 80 x 87.8mm / 10.68" x 3.15" x 3.46"
Mounting Bracket	-HN: Bracket not included -HNB: Bracket included

Dimensions

Units:mm



IPC2452-HN/HNB-SIR50-Z2812

4.0MP HD Network Varifocal IR Bullet Camera



Features

Excellent Image Quality

- 4.0 Megapixel 1/3" progressive scan CMOS sensor
- High definition and smooth picture, 2592×1520@20fps, 2048×1520@25fps, 1080p@30fps
- H.265 video codec, saves up to 50% bandwidth and storage
- Low illumination, 0.05lux with color picture
- WDR / HLC / Auto Iris / 3D noise reduction

Intelligent Functions

- Motion detection / Tampering / Guard line / Defocus / Scene change / Enter guard area / Exit guard area / Object left / Object removal / Gathering / Audio surge

Integrated High Efficiency IR

- Industrial IR LED with long operational lifespan
- 30 ~ 50m IR distance
- Smart IR function

A Variety of Installation Modes

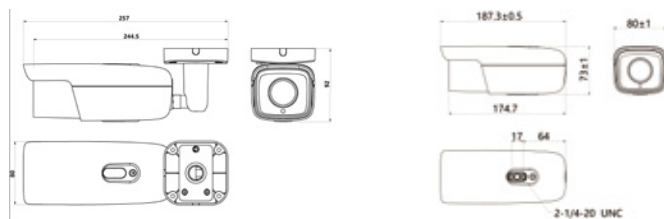
- Supports 90°, 180°, 270° image rotation
- Motorized varifocal lens

Abundant Functions and Features

- Micro SD card slot, supports Automatic Network Replenishment (ANR)
- Bi-directional audio / alarm in and out / video out / RS485
- 2 channel audio input simultaneously
- Up to 3 Multi-stream
- Anti-fog with heating glass
- -40°C ~ 70°C operation temperature
- PoE
- IP67 (-HNB only)

Dimensions

Units:mm



Specifications

Camera	IPC2452-HN/HNB-SIR50-Z2812
Image Sensor	1/3" progressive scan CMOS
Pixels	4.0 Megapixel
Min. Illumination	Color: 0.05lux @ (F1.6, AGC ON) B/W: 0lux with IR
Shutter Speed	1L ~ 1/30,000s
Day / Night	Auto (ICR) / Color / B/W
Wide Dynamic Range	Digital WDR
S/N Ratio	>50dB
White Balance	Auto / Manual
Gain Control	Auto / Manual
Backlight Compensation	Off / WDR / BLC / HLC
Lens	
Mount Type	Ø14
Auto Iris	DC drive
Focal Length	2.8-12mm @ F1.6 motorized varifocal lens
Focus Control	Manual / Semi-Automatic / Auto
Angle of View	95°~38°
Infrared	
IR Distance	30 ~ 50m
IR Intensity	Smart IR
Video	
Compression	H.265 / H.264 / MJPEG
Image Resolution	Main stream: 2592×1520 Secondary stream: D1
Frame Rate	Main stream: 2592×1520@20fps, 2048×1520@25fps, 1080p@30fps Secondary stream: D1@30fps
Bitrate	32kbps ~ 16Mbps
Bitrate Control	VBR / CBR
Multi-stream	Supported
Caption	Date and time / Alarm / Customized
Privacy Masking	Up to 4 zones
Motion Detection	Up to 4 zones
ROI	Supported
Digital Noise Reduction	3D noise reduction
Digital Defog	Supported
Image Flip	Flip / Mirror / Rotation 90°, 180°, 270°
Audio	
Compression	G.711a / G.711u / ADPCM / G.722 / AAC-LC / G.722.1c / G.726
Bitrate	32kbps ~ 64kbps
Audio Function	Bi-directional audio / AEC / Mixed audio recording / Dumb / Mute
Network	
Network Protocols	TCP/IP, UDP, HTTP, DHCP, DNS/DDNS, RTP/RTCP, RTSP, PPPoE, FTP, VSIP, UPnP, 802.1x, NAT, QoS, SMTP, IPv4, IPv6 (optional)
User Interface	IPC Control (IE, Firefox, Chrome)
Max. User Access	Max. 10 Users (includes 2 internal)
Application Programming	ONVIF (Profile S, Profile G), GB/T 28181-2011, API, CGI
Automatic Network Replenishment (ANR)	Supported
Alarm	
Alarm Triggers	Alarm input / Network disconnect / Disk full / Disk error Motion detection / Tampering / Guard line / Defocus / Scene change / Enter guard area / Exit guard area / Object left / Object removal / Gathering / Audio surge
Intelligent	Alarm report / Recording / Text overlay / Snapshot / External output / Email notice / Acoustic alarm
Alarm Events	
Interfaces	
Ethernet	10/100M, RJ45 interface
Audio In / Out	2 x Line in / 1 x Line out
Control	1 x RS-485
Alarm In / Out	1 x Input / 1 x Output
Video Out	1 x BNC, 1.0V [p-p] / 75Ω
Memory Slot	Micro SD card slot, supports up to 128GB
Environmental	
Operating Temperature	-40°C ~ 70°C / -40°F ~ 158°F
Operating Humidity	10% ~ 95%
Protection Level	-HN: IP66 -HNB: IP67
Electrical	
Power	12V DC ± 10% / PoE (IEEE802.3af)
Power Consumption	Max. 11W
Mechanical	
Weight	-HN: 1kg / 2.2lb (Gross Weight) -HNB: 1.2kg / 2.65lb (Gross Weight)
Dimensions	-HN: 187.3 x 80 x 73mm / 7.37" x 3.15" x 2.87" -HNB: 271.3 x 80 x 87.8mm / 10.68" x 3.15" x 3.46"
Mounting Bracket	-HN: Bracket not included -HNB: Bracket included

IPC2251-FN/FNB

2.0MP Starlight & Ultra WDR HD Network Varifocal IR Bullet Camera



Features

Excellent Image Quality

- 2.0 Megapixel 1/2.8" progressive scan CMOS sensor
- High definition and smooth picture, 1080p@30fps
- H.265 video codec, saves up to 50% bandwidth and storage
- Ultra low illumination, 0.001lux with color picture
- 120dB Ultra WDR
- 3D noise reduction / Auto Iris / HLC

Intelligent Functions

- Motion detection / Tampering / Guard line / Defocus / Scene change / Enter guard area / Exit guard area / Object left / Object removal / Gathering / Audio surge

Integrated High Efficiency IR

- Industrial IR LED with long operational lifespan
- Up to 120m IR distance (-SIR80-Z6048)
- Smart IR function

A Variety of Installation Modes

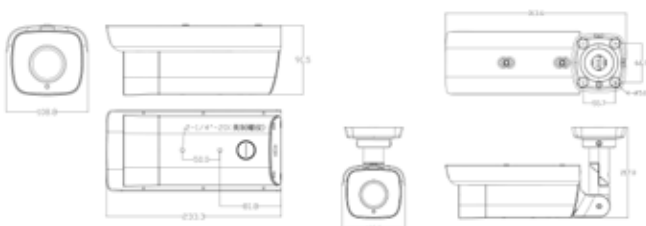
- Supports 90°, 180°, 270° image rotation
- Auto flip function
- Varifocal AF lens

Abundant Functions and Features

- Micro SD card slot, support Automatic Network Replenishment (ANR)
- Bi-directional audio / alarm in and out / video out / RS485
- 2 channel audio input simultaneously
- Up to 3 Multi-stream
- Anti-fog with heating glass
- Built-in O-sensor
- -40°C ~ 70°C operation temperature
- PoE
- IP67

Dimensions

Units:mm



Specifications

	IPC2251-FN/FNB (-SIR40-Z2812, -SIR80-Z6048)
Camera	
Image Sensor	1/2.8" progressive scan CMOS
Pixels	2.0 Megapixel
Min. Illumination	Color: 0.001lux @ (F1.4, AGC ON) B/W: 0.0001lux @ (F1.4, AGC ON); 0Lux with IR
Shutter Speed	1 ~ 1/30,000s
Day / Night	Auto (ICR) / Color / B/W
Wide Dynamic Range	Ultra WDR, >=120db
S/N Ratio	>57dB
White Balance	Auto / Manual
Gain Control	Auto / Manual
Backlight Compensation	Off / BLC / WDR / HLC
Lens	
Mount Type	φ14
Auto Iris	DC drive
Focal Length	-SIR50-Z2812: 2.8-12mm @ F1.4 motorized varifocal lens -SIR80-Z6048: 6-48mm @ F1.4 motorized varifocal lens
Focus Control	Manual / Semi-Automatic / Auto
Angle of View	-SIR50-Z2812: 90°~ 37° -SIR80-Z6048: 65°~ 7.2°
Infrared	
IR Distance	-SIR50-Z2812: 50 ~ 80m -SIR80-Z6048: 80 ~ 120m
IR Intensity	Smart IR
Video	
Compression	H.265 / H.264 / MJPEG
Image Resolution	Main stream: 1080p Secondary stream: D1
Frame Rate	Main stream: 1080p@30fps Secondary stream: D1@30fps
Bitrate	32kbps ~ 16Mbps
Bitrate Control	VBR / CBR
Multi-stream	Supported
Caption	Date and time / Alarm / Direction / Customized
Privacy Masking	Up to 4 zones
Motion Detection	Up to 4 zones
Video Freeze	Supported
ROI	Supported
Digital Noise Reduction	3D noise reduction
Digital Defog	Supported
Image Flip	Flip / Mirror / Rotation at 90°,180°,270° / Auto flip (Built-in G-sensor)
Audio	
Compression	G.711a / G.711u / ADPCM / G.722 / AAC-LC / G.722.1c / G.726
Bitrate	32kbps ~ 64kbps
Audio Function	Bi-directional audio / AEC / Mixed audio recording / Dumb / Mute
Network	
Network Protocols	TCP/IP, UDP, HTTP, DHCP, DNS/DDNS, RTP/RTCP, RTSP, PPPoE, FTP, VSIP, UPnP, 802.1x, NAT, QoS, SMTP, IPv4, IPv6 (optional)
User Interface	IPC Control (IE, Firefox, Chrome)
Max. User Access	Max. 10 Users (includes 2 internal)
Application Programming	ONVIF (Profile S, Profile G), GB/T 28181-2011, API, CGI
Automatic Network Replenishment (ANR)	Supported
Alarm	
Alarm Triggers	Alarm input / Network disconnect / Disk full / Disk error
Intelligent	Motion detection / Tampering / Guard line / Defocus / Scene change / Enter guard area / Exit guard area / Object left / Object removal / Gathering / Audio surge
Alarm Events	Alarm report / Recording / Text overlay / Snapshot / External output / Email notice / Acoustic alarm
Interfaces	
Ethernet	10/100M, RJ45 interface
Audio In / Out	2 x Line in / 1 x Line out
Control	1 x RS485
Alarm In / Out	1 x Input / 1 x Output
Video Out	1 x BNC, 1.0V [p-p] / 75Ω
Memory Slot	Micro SD card slot, supports up to 128GB
Environmental	
Operating Temperature	-40°C ~ 70°C / -40°F ~ 158°F
Operating Humidity	10% ~ 95%
Protection level	IP67
Electrical	
Power	12V DC ± 10% / PoE (IEEE802.3af)
Power Consumption	-SIR50-Z2812: Max. 12.5W -SIR80-Z6048: Max. 15W
Mechanical	
Weight	-FN: 2.5kg / 5.5lb (Gross Weight) -FNB: 2kg / 4.4lb (Gross Weight)
Dimensions	-FN: 313.6×108.8×157mm / 12.35" x 4.28" x 6.19" -FNB: 233.3×108.8×91.5mm / 9.19" x 4.28" x 3.60"
Mounting Bracket	-FN: Bracket included -FNB: Bracket not included

IPC113-HN

1.3MP HD Network Box Camera



Features

Excellent Image Quality

- 1.3 Megapixel 1/3" progressive scan CMOS sensor
- High definition and smooth picture, 960p@30fps
- H.265 video codec, saves up to 50% bandwidth and storage
- Low illumination, 0.03lux with color picture
- 3D noise reduction / HLC / BLC

Intelligent Functions

- Motion detection / Tampering / Guard line / Defocus / Scene change / Enter guard area / Exit guard area / Object left / Object removal / Gathering / Audio surge

A Variety of Installation Modes

- Supports 90°, 180°, 270° image rotation
- Auto flip function

Abundant Functions and Features

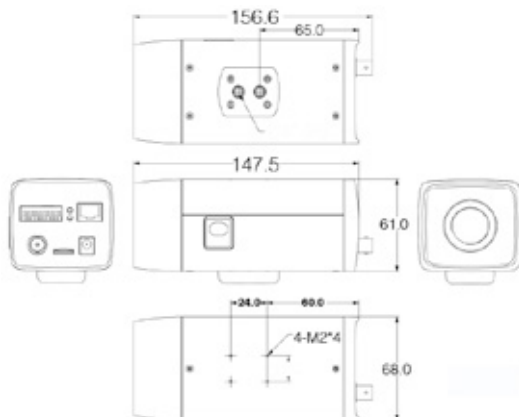
- Micro SD card slot, supports Automatic Network Replenishment (ANR)
- Up to 3 Multi-stream
- Bi-directional audio / alarm in and out / video out / RS485
- 2 channel audio input simultaneously
- Built-in Mic
- Built-in O-sensor
- PoE

Specifications

IPC113-HN	
Camera	
Image Sensor	1/3" progressive scan CMOS
Pixels	1.3 Megapixel
Min. Illumination	Color: 0.03lux @ (F1.2, AGC ON) B/W: 0.003lux @ (F1.2, AGC ON)
Shutter Speed	1 ~ 1/30,000s
Day / Night	Auto (ICR) / Color / B/W
Wide Dynamic Range	Digital WDR
S/N Ratio	> 52dB
White Balance	Auto / Manual
Gain Control	Auto / Manual
Backlight Compensation	Off / WDR/ BLD/ HLC
Lens (not included)	
Mount Type	C / CS
Auto Iris	DC drive / P-Iris
Video	
Compression	H.265 / H.264 / MJPEG
Image Resolution	Main stream: 960p Secondary stream: D1
Frame Rate	Main stream: 960p@30fps Secondary stream: D1@30fps
Bitrate	32kbps ~ 16Mbps
Bitrate Control	VBR / CBR
Dual-stream	Supported
Caption	Date and time / Alarm / Direction / Customized
Privacy Masking	Up to 4 zones
Motion Detection	Up to 4 zones
Video Freeze	Supported
ROI	Supported
Digital Noise Reduction	3D noise reduction
Digital Defog	Supported
Image Flip	Flip / Mirror / Rotation at 90°, 180°, 270° / Auto flip (Built-in G-sensor)
Audio	
Compression	G.711a / G.711u / ADPCM / G.722 / AAC-LC / G.722.1c / G.726
Bitrate	32kbps ~ 64kbps
Audio Function	Bi-directional audio / AEC / Mixed audio recording / Dumb / Mute
Network	
Network Protocols	TCP/IP, UDP, HTTP, DHCP, DNS/DDNS, RTP/RTCP, RTSP, PPPoE, FTP, VSIP, UPnP, 802.1x, NAT, QoS, SMTP, IPv4, IPv6 (optional)
User Interface	IPC Control (IE, Firefox, Chrome)
Max. User Access	Max. 10 Users (includes 2 internal)
Application Programming	ONVIF (Profile S, Profile G), GB/T 28181-2011, API, CGI
Automatic Network Replenishment (ANR)	Supported
Alarm	
Alarm Triggers	Alarm input / Network disconnect / Disk full / Disk error
Intelligent	Motion detection / Tampering / Guard line / Defocus / Scene change / Enter guard area / Exit guard area / Object left / Object removal / Gathering / Audio surge
Alarm Events	Alarm report / Recording / Text overlay / Snapshot / External output / Email notice / Acoustic alarm
Interfaces	
Ethernet	10/100M, RJ45 interface
Audio In / Out	2 x Line in / 1 x Line out / 1 x Built-in Mic
Control	1 x RS485
Alarm In / Out	1 x Input / 1 x Output
Video Out	1 x BNC, 1.0V [p-p] / 75Ω
Memory Slot	Micro SD card slot, supports up to 128GB
Environmental	
Operating Temperature	-40°C ~ 70°C / -40°F ~ 158°F
Operating Humidity	10% ~ 95%
Electrical	
Power	AC 24V ± 10% / DC 12V ± 10% / PoE (IEEE802.3af)
Power Consumption	Max. 6W
Mechanical	
Weight	0.5 kg / 1.1lb (Gross Weight)
Dimensions	147.5 x 68 x 61mm / 5.81" x 2.68" x 2.40"

Dimensions

Units:mm



IPC123-HN

2.0MP HD Network Box Camera



Features

Excellent Image Quality

- 2.0 Megapixel 1/3" progressive scan CMOS sensor
- High definition and smooth picture, 1080p@30fps
- H.265 video codec, saves up to 50% bandwidth and storage
- Low illumination, 0.03lux with color picture
- 3D noise reduction / HLC / BLC

Intelligent Functions

- Motion detection / Tampering / Guard line / Defocus / Scene change / Enter guard area / Exit guard area / Object left / Object removal / Gathering / Audio surge

A Variety of Installation Modes

- Supports 90°, 180°, 270° image rotation
- Auto flip function

Abundant Functions and Features

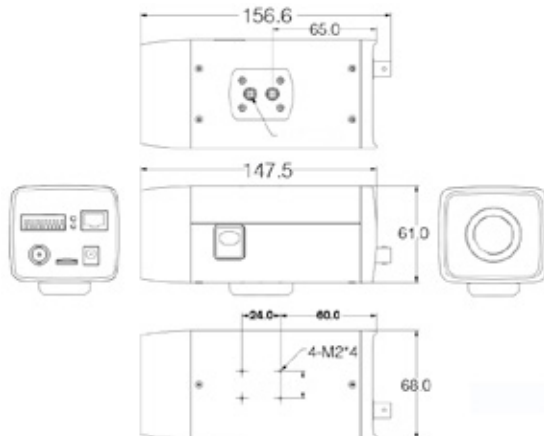
- Micro SD card slot, support Automatic Network Replenishment (ANR)
- Up to 3 Multi-stream
- Bi-directional audio / alarm in and out / video out / RS485
- 2 channel audio input simultaneously
- Built-in Mic
- Built-in O-sensor
- PoE

Specifications

	IPC123-HN
Camera	
Image Sensor	1/3" progressive scan CMOS
Pixels	2.0 Megapixel
Min. Illumination	Color: 0.03lux @ (F1.2, AGC ON) B/W: 0.003lux @ (F1.2, AGC ON)
Shutter Speed	1 ~ 1/30,000s
Day / Night	Auto (ICR) / Color / B/W
Wide Dynamic Range	Digital WDR
S/N Ratio	>52dB
White Balance	Auto / Manual
Gain Control	Auto / Manual
Backlight Compensation	Off / WDR / BLC / HLC
Lens (not included)	
Mount Type	C / CS
Auto Iris	DC drive / P-Iris
Video	
Compression	H.265 / H.264 / MJPEG
Image Resolution	Main stream: 1080p Secondary stream: D1
Frame Rate	Main stream: 1080p@30fps Secondary stream: D1@30fps
Bitrate	32kbps ~ 16Mbps
Bitrate Control	VBR / CBR
Multi-stream	Supported
Caption	Date and time / Alarm / Direction / Customized
Privacy Masking	Up to 4 zones
Motion Detection	Up to 4 zones
Video Freeze	Supported
ROI	Supported
Digital Noise Reduction	3D noise reduction
Digital Defog	Supported
Image Flip	Flip / Mirror / Rotation at 90°, 180°, 270° / Auto flip (Built-in G-sensor)
Audio	
Compression	G.711a / G.711u / ADPCM / G.722 / AAC-LC / G.722.1c / G.726
Bitrate	32kbps ~ 64kbps
Audio Function	Bi-directional audio / AEC / Mixed audio recording / Dumb / Mute
Network	
Network Protocols	TCP/IP, UDP, HTTP, DHCP, DNS/DDNS, RTP/RTCP, RTSP, PPPoE, FTP, VSIP, UPnP, 802.1x, NAT, QoS, SMTP, IPv4, IPv6 (optional)
User Interface	IPC Control (IE, Firefox, Chrome)
Max. User Access	Max. 10 Users (includes 2 internal)
Application Programming	ONVIF (Profile S, Profile G), GB/T 28181-2011, API, CGI
Automatic Network Replenishment (ANR)	Supported
Alarm	
Alarm Triggers	Alarm input / Network disconnect / Disk full / Disk error
Intelligent	Motion detection / Tampering / Guard line / Defocus / Scene change / Enter guard area / Exit guard area / Object left / Object removal / Gathering / Audio surge
Alarm Events	Alarm report / Recording / Text overlay / Snapshot / External output / Email notice / Acoustic alarm
Interfaces	
Ethernet	10/100M, RJ45 interface
Audio In / Out	2 x Line in / 1 x Line out / 1 x Built-in Mic
Control	1 x RS485
Alarm In / Out	1 x Input / 1 x Output
Video Out	1 x BNC, 1.0V [p-p] / 75Ω
Memory Slot	Micro SD card slot, supports up to 128GB
Environmental	
Operating Temperature	-40°C ~ 70°C / -40°F ~ 158°F
Operating Humidity	10% ~ 95%
Electrical	
Power	AC 24V ± 10% / DC 12V ± 10% / PoE (IEEE802.3af)
Power Consumption	Max. 6W
Mechanical	
Weight	0.5 kg / 1.1lb (Gross Weight)
Dimensions	147.5 x 68 x 61mm / 5.81" x 2.68" x 2.40"

Dimensions

Units:mm



IPC143-HN

4.0MP Ultra WDR HD Network Box Camera



Features

Excellent Image Quality

- 4.0 Megapixel 1/3" progressive scan CMOS sensor
- High definition and smooth picture, 2592 x 1520@30fps
- H.265 video codec, saves up to 50% bandwidth and storage
- Low illumination, 0.05lux with color picture
- 120dB Ultra WDR
- 3D noise reduction / HLC / BLC

Intelligent Functions

- Motion detection / Tampering / Guard line / Defocus / Scene change / Enter guard area / Exit guard area / Object left / Object removal / Gathering / Audio surge

A Variety of Installation Modes

- Supports 90°, 180°, 270° image rotation
- Auto flip function

Abundant Functions and Features

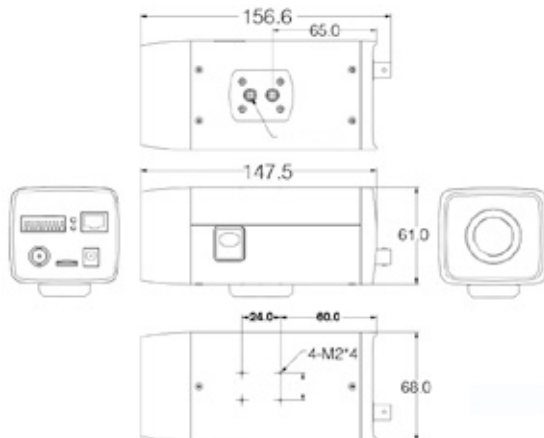
- Micro SD card slot, support Automatic Network Replenishment (ANR)
- Up to 3 Multi-stream
- Bi-directional audio / alarm in and out / video out / RS485
- 2 channel audio input simultaneously
- Built-in Mic
- Built-in O-sensor
- PoE

Specifications

	IPC143-HN
Camera	
Image Sensor	1/3" progressive scan CMOS
Pixels	4.0 Megapixel
Min. Illumination	Color: 0.05lux @ (F1.2, AGC ON) B/W: 0.005lux @ (F1.2, AGC ON)
Shutter Speed	1 ~ 1/30,000s
Day / Night	Auto (ICR) / Color / B/W
Wide Dynamic Range	Ultra WDR, >=120db
S/N Ratio	>52dB
White Balance	Auto / Manual
Gain Control	Auto / Manual
Backlight Compensation	Off / WDR / BLC / HLC
Lens (not included)	
Mount Type	C / CS
Auto Iris	DC drive / P-Iris
Video	
Compression	H.265 / H.264 / MJPEG
Image Resolution	Main stream: 2592 x 1520 Secondary stream: D1
Frame Rate	Main stream: 2592 x 1520@30fps Secondary stream: D1@30fps
Bitrate	32kbps ~ 16Mbps
Bitrate Control	VBR / CBR
Multi-stream	Supported
Caption	Date and time / Alarm / Direction / Customized
Privacy Masking	Up to 4 zones
Motion Detection	Up to 4 zones
Video Freeze	Supported
ROI	Supported
Digital Noise Reduction	3D noise reduction
Digital Defog	Supported
Image Flip	Flip / Mirror / Rotation at 90°, 180°, 270° / Auto flip (Built-in G-sensor)
Audio	
Compression	G.711a / G.711u / ADPCM / G.722 / AAC-LC / G.722.1c / G.726
Bitrate	32kbps ~ 64kbps
Audio Function	Bi-directional audio / AEC / Mixed audio recording / Dumb / Mute
Network	
Network Protocols	TCP/IP, UDP, HTTP, DHCP, DNS/DDNS, RTP/RTCP, RTSP, PPPoE, FTP, VSIP, UPnP, 802.1x, NAT, QoS, SMTP, IPv4, IPv6 (optional)
User Interface	IPC Control (IE, Firefox, Chrome)
Max. User Access	Max. 10 Users (includes 2 internal)
Application Programming	ONVIF (Profile S, Profile G), GB/T 28181-2011, API, CGI
Automatic Network Replenishment (ANR)	Supported
Alarm	
Alarm Triggers	Alarm input / Network disconnect / Disk full / Disk error
Intelligent	Motion detection / Tampering / Guard line / Defocus / Scene change / Enter guard area / Exit guard area / Object left / Object removal / Gathering / Audio surge
Alarm Events	Alarm report / Recording / Text overlay / Snapshot / External output / Email notice / Acoustic alarm
Interfaces	
Ethernet	10/100M, RJ45 interface
Audio In / Out	2 x Line in / 1 x Line out / 1 x Built-in Mic
Control	1 x RS485
Alarm In / Out	1 x Input / 1 x Output
Video Out	1 x BNC, 1.0V [p-p] / 75Ω
Memory Slot	Micro SD card slot, supports up to 128GB
Environmental	
Operating Temperature	-40°C ~ 70°C / -40°F ~ 158°F
Operating Humidity	10% ~ 95%
Electrical	
Power	AC 24V ± 10% / DC 12V ± 10% / PoE (IEEE802.3af)
Power Consumption	Max. 6W
Mechanical	
Weight	0.5 kg / 1.1lb (Gross Weight)
Dimensions	147.5 x 68 x 61mm / 5.81" x 2.68" x 2.40"

Dimensions

Units:mm



IPC123-FN

2.0MP Starlight & Ultra WDR HD Network Box Camera



Features

Excellent Image Quality

- 2.0 Megapixel 1/1.9" progressive scan CMOS sensor
- High definition and smooth picture, 1080p@60fps
- H.265 video codec, saves up to 50% bandwidth and storage
- Ultra low illumination, 0.001lux with color picture
- 120dB Ultra WDR
- 3D noise reduction / HLC / BLC

Intelligent Functions

- Motion detection / Tampering / Guard line / Defocus / Scene change / Enter guard area / Exit guard area / Object left / Object removal / Gathering / Audio surge

A Variety of Installation Modes

- Supports 90°, 180°, 270° image rotation
- Auto flip function

Abundant Functions and Features

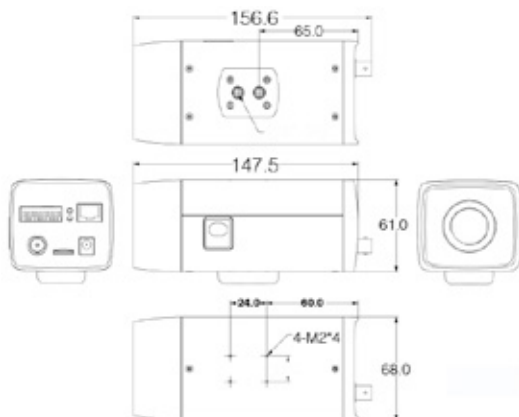
- Micro SD card slot, support Automatic Network Replenishment (ANR)
- Up to 3 Multi-stream
- Bi-directional audio / alarm in and out / video out / RS485
- 2 channel audio input simultaneously
- Built-in Mic
- Built-in O-sensor
- PoE

Specifications

	IPC123-FN
Camera	
Image Sensor	1/1.9" progressive scan CMOS
Pixels	2.0 Megapixel
Min. Illumination	Color: 0.001lux @ (F1.2, AGC ON) B/W: 0.0001lux @ (F1.2, AGC ON)
Shutter Speed	1 ~ 1/30,000s
Day / Night	Auto (ICR) / Color / B/W
Wide Dynamic Range	Ultra WDR, >=120db
S/N Ratio	> 52dB
White Balance	Auto / Manual
Gain Control	Auto / Manual
Backlight Compensation	Off / WDR / BLC / HLC
Lens (not included)	
Mount Type	C / CS
Auto Iris	DC drive / P-Iris
Video	
Compression	H.265 / H.264 / MJPEG
Image Resolution	Main stream: 1080p Secondary stream: D1
Frame Rate	Main stream: 1080p@60fps Secondary stream: D1@30fps
Bitrate	32kbps ~ 16Mbps
Bitrate Control	VBR / CBR
Multi-stream	Supported
Caption	Date and time / Alarm / Direction / Customized
Privacy Masking	Up to 4 zones
Motion Detection	Up to 4 zones
Video Freeze	Supported
ROI	Supported
Digital Noise Reduction	3D noise reduction
Digital Defog	Supported
Image Flip	Flip / Mirror / Rotation at 90°, 180°, 270° / Auto flip (Built-in G-sensor)
Audio	
Compression	G.711a / G.711u / ADPCM / G.722 / AAC-LC / G.722.1c / G.726
Bitrate	32kbps ~ 64kbps
Audio Function	Bi-directional audio / AEC / Mixed audio recording / Dumb / Mute
Network	
Network Protocols	TCP/IP, UDP, HTTP, DHCP, DNS/DDNS, RTP/RTCP, RTSP, PPPoE, FTP, VSIP, UPnP, 802.1x, NAT, QoS, SMTP, IPv4, IPv6 (optional)
User Interface	IPC Control (IE, Firefox, Chrome)
Max. User Access	Max. 10 Users (includes 2 internal)
Application Programming	ONVIF (Profile S, Profile G), GB/T 28181-2011, API, CGI
Automatic Network Replenishment (ANR)	Supported
Alarm	
Alarm Triggers	Alarm input / Network disconnect / Disk full / Disk error
Intelligent	Motion detection / Tampering / Guard line / Defocus / Scene change / Enter guard area / Exit guard area / Object left / Object removal / Gathering / Audio surge
Alarm Events	Alarm report / Recording / Text overlay / Snapshot / External output / Email notice / Acoustic alarm
Interfaces	
Ethernet	10/100M, RJ45 interface
Audio In / Out	2 x Line in / 1 x Line out / 1 x Built-in Mic
Control	1 x RS485
Alarm In / Out	1 x Input / 1 x Output
Video Out	1 x BNC, 1.0V [p-p] / 75Ω
Memory Slot	Micro SD card slot, supports up to 128GB
Environmental	
Operating Temperature	-40°C ~ 70°C / -40°F ~ 158°F
Operating Humidity	10% ~ 95%
Electrical	
Power	AC 24V ± 10% / DC 12V ± 10% / PoE (IEEE802.3af)
Power Consumption	Max. 6W
Mechanical	
Weight	0.5 kg / 1.1lb (Gross Weight)
Dimensions	147.5 x 68 x 61mm / 5.81" x 2.68" x 2.40"

Dimensions

Units:mm



IPC183-Fi9N

Recognitive HD Network Box Camera



Features

Excellent Image Quality

- 8.0 Megapixel 1/1.8" progressive scan CMOS sensor
- UHD 4K@30fps
- H.265 video codec, saves up to 50% bandwidth and storage
- Ultra low illumination, 0.005lux with color picture
- 120dB Ultra WDR
- 3D noise reduction / HLC / BLC

Intelligent Functions

- Motion detection / Tampering / Guard line / Defocus / Scene change / Enter guard area / Exit guard area / Object left / Object removal / Gathering / Audio surge

Recognitive Functions

- Face capturing

A Variety of Installation Modes

- Supports 90°, 180°, 270° image rotation
- Auto flip function

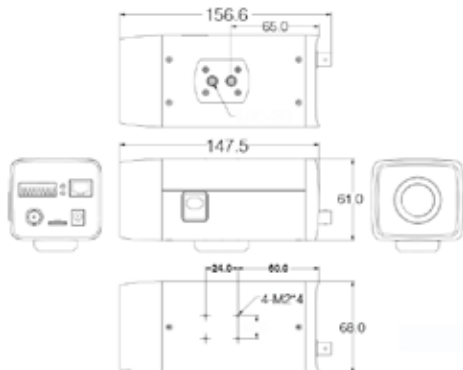
Abundant Functions and Features

- Micro SD card slot, supports Automatic Network Replenishment (ANR)
- Up to 3 Multi-stream
- Bi-directional audio / alarm in and out / video out / RS485
- 2 channel audio input simultaneously
- Built-in Mic
- Built-in O-sensor
- PoE

Specifications

	IPC183-Fi9N
Camera	
Image Sensor	1/1.8" Progressive Scan CMOS
Pixels	8.0 Megapixel
Min. Illumination	Color: 0.005Lux @ (F1.2, AGC ON) B/W: 0.0005Lux @ (F1.2, AGC ON)
Shutter Speed	1 ~ 1/30,000s
Day / Night	Auto (ICR) / Color / B/W
Wide Dynamic Range	Ultra WDR, >=120dB
S/N Ratio	>52dB
White Balance	Auto / Manual
Gain Control	Auto / Manual
Backlight Compensation	Off / WDR / BLC / HLC
Lens (not included)	
Mount Type	C / CS
Auto Iris	DC drive / P-Iris
Video	
Compression	H.265 / H.264 / MJPEG
Image Resolution	Main stream: 4K (4096x2160) Secondary stream: D1
Frame Rate	Main stream: 4K@30fps / 1080p@60fps Secondary stream: D1@30fps
Bitrate	64kbps ~ 32Mbps
Bitrate Control	VBR / CBR
Multi-stream	Supported
Caption	Date and time / Alarm / Direction / Customized
Privacy Masking	Up to 4 zones
Motion Detection	Up to 4 zones
Video Freeze	Supported
ROI	Supported
Digital Noise Reduction	3D noise reduction
Digital Defog	Supported
Image Flip	Flip / Mirror / Rotation at 90°, 180°, 270° / Auto flip (Built-in G-sensor)
Audio	
Compression	G.711a / G.711u / ADPCM / G.722 / AAC-LC / G.722.1c / G.726
Bitrate	32kbps ~ 64kbps
Audio Function	Bi-directional audio / AEC / Mixed audio recording / Dumb / Mute
Network	
Network Protocols	TCP/IP, UDP, HTTP, DHCP, DNS/DDNS, RTP/RTCP, RTSP, PPPoE, FTP, VSIP, UPnP, 802.1x, NAT, QoS, SMTP, IPv4, IPv6 (optional)
User Interface	IPC Control (IE, Firefox, Chrome)
Max. User Access	Max. 10 Users (includes 2 internal)
Application Programming	ONVIF (Profile S, Profile G), GB/T 28181-2011, API, CGI
Automatic Network Replenishment (ANR)	Supported
Recognitive Functions	
Target Detection	Face
Captured Picture	Face
Alarm	
Alarm Triggers	Alarm input / Network disconnect / Disk full / Disk error Motion detection / Tampering / Guard line / Defocus / Scene change / Enter guard area / Exit guard area / Object left / Object removal / Gathering / Audio surge
Intelligent	Alarm report / Recording / Text overlay / Snapshot / External output / Email notice / Acoustic alarm
Interfaces	
Ethernet	10/100M, RJ45 interface
Audio In / Out	2 x Line in / 1 x Line out / 1 x Built-in Mic
Control	1 x RS485
Alarm In / Out	1 x Input / 1 x Output
Video Out	1 x BNC, 1.0V [p-p] / 75Ω
Memory Slot	Micro SD card slot, supports up to 256GB
Environmental	
Operating Temperature	-40°C ~ 70°C / -40°F ~ 158°F
Operating Humidity	10% ~ 95%
Electrical	
Power	AC 24V ± 10% / DC 12V ± 10% / PoE (IEEE802.3af)
Power Consumption	Max. 6W
Mechanical	
Weight	0.5 kg / 1.1lb (Gross Weight)
Dimensions	147.5 x 68 x 61mm / 5.81" x 2.68" x 2.40"

Dimensions Units:mm



IPC2240-HN-P

2.0MP HD Network Mini Semi Dome Camera



Features

Excellent Image Quality

- 2.0 Megapixel 1/3" progressive scan CMOS Sensor
- High definition and smooth picture, 1080p@30fps
- H.265 video codec, saves up to 50% bandwidth and storage
- Low illumination, 0.03lux with color picture
- WDR / HLC / 3D noise reduction

Mini size

- 0.5Kg / 1.1lb
- $\Phi 97.62 \times 67.65\text{mm} / \Phi 3.85" \times 2.67"$

Intelligent Functions

- Motion detection / Tampering / Guard line / Enter guard area / Exit guard area

A Variety of Installation Modes

- Supports 90°, 180°, 270° image rotation

Abundant Functions and Features

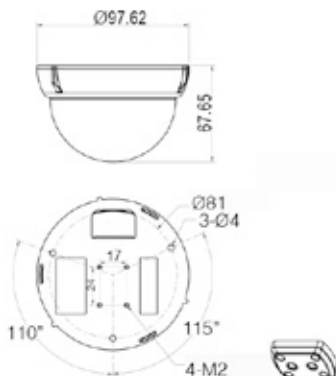
- Micro SD card slot, supports Automatic Network Replenishment (ANR)
- Built-in Mic
- Dual-stream (1080p + D1)
- PoE
- IK10

Specifications

	IPC2240-HN-P
Camera	
Image Sensor	1/3" progressive scan CMOS
Pixels	2.0 Megapixel
Min. Illumination	Color: 0.03lux @ (F1.6, AGC ON) B/W: 0.003lux @ (F1.6, AGC ON)
Shutter Speed	1 ~ 1/30,000s
Day / Night	Auto (ICR) / Color / B/W
Wide Dynamic Range	Digital WDR
S/N Ratio	> 50dB
White Balance	Auto / Manual
Gain Control	Auto / Manual
Backlight Compensation	Off / WDR / BLC / HLC
Lens	
Mount Type	M12
Focal Length	2.1mm (-L0210)
Angle of View	143.3° (-L0210)
Adjustment Range	Pan: -102.5° ~ 102.5° / Tilt: 0° ~ 70°
Video	
Compression	H.265 / H.264 / MJPEG
Image Resolution	Main stream: 1080p Secondary stream: D1
Frame Rate	Main stream: 1080p@30fps Secondary stream: D1@30fps
Bitrate	32kbps ~ 16Mbps
Bitrate Control	VBR / CBR
Dual-stream	Supported
Caption	Date and time / Alarm / Customized
Privacy Masking	Up to 4 zones
Motion Detection	Up to 4 zones
Video Freeze	Supported
ROI	Supported
Digital Noise Reduction	3D noise reduction
Digital Defog	Supported
Image Flip	Flip / Mirror / Rotation at 90°, 180°, 270°
Audio	
Compression	G.711a / G.711u / ADPCM / G.722 / AAC-LC / G.722.1c / G.726
Bitrate	32kbps ~ 64kbps
Audio Function	AEC / Dumb
Network	
Network Protocols	TCP/IP, UDP, HTTP, DHCP, DNS/DDNS, RTP/RTCP, RTSP, PPPoE, FTP, VSIP, UPnP, 802.1x, NAT, QoS, SMTP, IPv4, IPv6 (optional)
User Interface	IPC Control (IE, Firefox, Chrome)
Max. User Access	Max. 10 Users (includes 2 internal)
Application Programming	ONVIF (Profile S, Profile G), GB/T 28181-2011, API, CGI
Automatic Network Replenishment (ANR)	Supported
Alarm	
Alarm Triggers	Alarm input / Network disconnect / Disk full / Disk error
Intelligent	Motion detection / Tampering / Guard line / Enter guard area / Exit guard area
Alarm Events	Alarm report / Recording / Text overlay / Snapshot / External output / Email notice / Acoustic alarm
Interfaces	
Ethernet	10/100M, RJ45 interface
Audio In / Out	1 x Built-in Mic
Memory Slot	Micro SD card slot, supports up to 128GB
Environmental	
Operating Temperature	-40°C ~ 60°C / -40°F ~ 140°F
Operating Humidity	10% ~ 95%
Protection Level	IK10
Electrical	
Power	12V DC \pm 10% / PoE (IEEE802.3af)
Power Consumption	Max. 11W
Mechanical	
Weight	0.5kg / 1.1lb (Gross Weight)
Dimensions	$\Phi 97.62 \times 67.65\text{mm} / \Phi 3.85" \times 2.67"$

Dimensions

Units:mm



IPC2240-HN-PIR30

2.0MP HD Network Mini IR Semi Dome Camera



Features

Excellent Image Quality

- 2.0 Megapixel 1/3" progressive scan CMOS sensor
- High definition and smooth picture, 1080p@30fps
- H.265 video codec, saves up to 50% bandwidth and storage
- Low illumination, 0.03lux with color picture
- WDR / HLC / 3D noise reduction

Mini size

- 0.5 kg / 1.1lb
- $\Phi 97.62 \times 67.65\text{mm} / \Phi 3.85'' \times 2.67''$
- Intelligent Functions
- Motion detection / Tampering / Guard line / Enter guard area / Exit guard area

Integrated High Efficiency IR

- Industrial IR LED with long operational lifespan
- 10 ~ 30m IR distance
- Smart IR function

A Variety of Installation Modes

- Supports 90°, 180°, 270° image rotation

Abundant Functions and Features

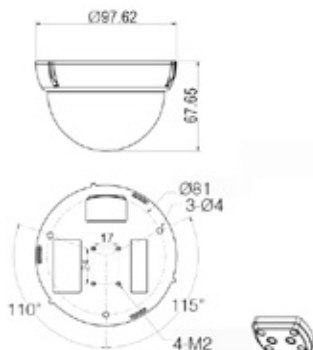
- Micro SD card slot, supports Automatic Network Replenishment (ANR)
- Built-in Mic
- Dual-stream (1080p + D1)
- PoE
- IK10

Specifications

	IPC2240-HN-PIR30
Camera	
Image Sensor	1/3" progressive scan CMOS
Pixels	2.0 Megapixel
Min. Illumination	Color: 0.03lux @ (F1.6, AGC ON) B/W: 0lux with IR
Shutter Speed	1 ~ 1/30,000s
Day / Night	Auto (ICR) / Color / B/W
Wide Dynamic Range	Digital WDR
S/N Ratio	>50dB
White Balance	Auto / Manual
Gain Control	Auto / Manual
Backlight Compensation	Off / WDR / BLC / HLC
Lens	
Mount Type	M12
Focal Length	2.8mm (-L0280) / 3.6mm (-L0360) / 6mm (-L0600)
Angle of View	101.2° (-L0280) / 78.6° (-L0360) / 53.4° (-L0600)
Adjustment Range	Pan: -102.5° ~ 102.5° / Tilt: 0° ~ 70°
Infrared	
IR Distance	10 ~ 30m
IR Intensity	Smart IR
Video	
Compression	H.265 / H.264 / MJPEG
Image Resolution	Main stream: 1080p Secondary stream: D1
Frame Rate	Main stream: 1080p@30fps Secondary stream: D1@30fps
Bitrate	32kbps ~ 16Mbps
Bitrate Control	VBR / CBR
Dual-stream	Supported
Caption	Date and time / Alarm / Customized
Privacy Masking	Up to 4 zones
Motion Detection	Up to 4 zones
Video Freeze	Supported
ROI	Supported
Digital Noise Reduction	3D noise reduction
Digital Defog	Supported
Image Flip	Flip / Mirror / Rotation at 90°, 180°, 270°
Audio	
Compression	G.711a / G.711u / ADPCM / G.722 / AAC-LC / G.722.1c / G.726
Bitrate	32kbps ~ 64kbps
Audio Function	AEC / Dumb
Network	
Network Protocols	TCP/IP, UDP, HTTP, DHCP, DNS/DDNS, RTP/RTCP, RTSP, PPPoE, FTP, VSIP, UPnP, 802.1x, NAT, QoS, SMTP, IPv4, IPv6 (optional)
User Interface	IPC Control (IE, Firefox, Chrome)
Max. User Access	Max. 10 Users (includes 2 internal)
Application Programming	ONVIF (Profile S, Profile G), GB/T 28181-2011, API, CGI
Automatic Network Replenishment (ANR)	Supported
Alarm	
Alarm Triggers	Alarm input / Network disconnect / Disk full / Disk error
Intelligent	Motion detection / Tampering / Guard line / Enter guard area / Exit guard area
Alarm Events	Alarm report / Recording / Text overlay / Snapshot / External output / Email notice / Acoustic alarm
Interfaces	
Ethernet	10/100M, RJ45 interface
Audio In / Out	1 x Built-in Mic
Memory Slot	Micro SD card slot, supports up to 128GB
Environmental	
Operating Temperature	-40°C ~ 60°C / -40°F ~ 140°F
Operating Humidity	10% ~ 95%
Protection Level	IK10
Electrical	
Power	12V DC \pm 10% / PoE (IEEE802.3af)
Power Consumption	Max. 11W
Mechanical	
Weight	0.5 kg / 1.1lb (Gross Weight)
Dimensions	$\Phi 97.62 \times 67.65\text{mm} / \Phi 3.85'' \times 2.67''$

Dimensions

Units:mm



IPC2240-HN-S

2.0MP HD Network Mini Semi Dome Camera



Features

Excellent Image Quality

- 2.0 Megapixel 1/3" progressive scan CMOS sensor
- High definition and smooth picture, 1080p@30fps
- H.265 video codec, saves up to 50% bandwidth and storage
- Low illumination, 0.03lux with color picture
- WDR / HLC / 3D noise reduction

Mini size

- 0.5 kg / 1.1lb
- $\Phi 97.62 \times 67.65\text{mm} / \Phi 3.85" \times 2.67"$

Intelligent Functions

- Motion detection / Tampering / Guard line / Defocus / Scene change / Enter guard area / Exit guard area / Object left / Object removal / Gathering / Audio surge

A Variety of Installation Modes

- Supports 90°, 180°, 270° image rotation

Abundant Functions and Features

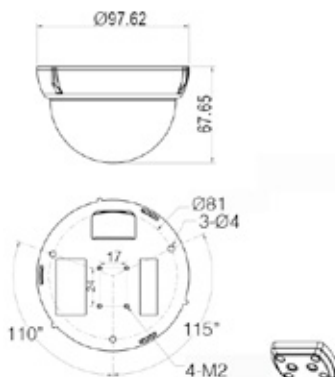
- Micro SD card slot, supports Automatic Network Replenishment (ANR)
- Bi-directional audio / Built-in Mic / alarm in and out / video out / RS485
- 2 channel audio input simultaneously
- Dual-stream (1080p + D1)
- PoE
- IK10

Specifications

	IPC2240-HN-S
Camera	
Image Sensor	1/3" progressive scan CMOS
Pixels	2.0 Megapixel
Min. Illumination	Color: 0.03lux @ (F1.6, AGC ON) B/W: 0.003lux @ (F1.6, AGC ON)
Shutter Speed	1 ~ 1/30,000s
Day / Night	Auto (ICR) / Color / B/W
Wide Dynamic Range	Digital WDR
S/N Ratio	> 50dB
White Balance	Auto / Manual
Gain Control	Auto / Manual
Backlight Compensation	Off / WDR / BLC / HLC
Lens	
Mount Type	M12
Focal Length	2.1mm (-L0210)
Angle of View	143.3° (-L0210)
Adjustment Range	Pan: -102.5° ~ 102.5° / Tilt: 0° ~ 70°
Video	
Compression	H.265 / H.264 / MJPEG
Image Resolution	Main stream: 1080p Secondary stream: D1
Frame Rate	Main stream: 1080p@30fps Secondary stream: D1@30fps
Bitrate	32kbps ~ 16Mbps
Bitrate Control	VBR / CBR
Dual-stream	Supported
Caption	Date and time / Alarm / Customized
Privacy Masking	Up to 4 zones
Motion Detection	Up to 4 zones
Video Freeze	Supported
ROI	Supported
Digital Noise Reduction	3D noise reduction
Digital Defog	Supported
Image Flip	Flip / Mirror / Rotation at 90°, 180°, 270°
Audio	
Compression	G.711a / G.711u / ADPCM / G.722 / AAC-LC / G.722.1c / G.726
Bitrate	32kbps ~ 64kbps
Audio Function	Bi-directional audio / AEC / Mixed audio recording / Dumb / Mute
Network	
Network Protocols	TCP/IP, UDP, HTTP, DHCP, DNS/DDNS, RTP/RTCP, RTSP, PPPoE, FTP, VSIP, UPnP, 802.1x, NAT, QoS, SMTP, IPv4, IPv6 (optional)
User Interface	IPC Control (IE, Firefox, Chrome)
Max. User Access	Max. 10 Users (includes 2 internal)
Application Programming	ONVIF (Profile S, Profile G), GB/T 28181-2011, API, CGI
Automatic Network Replenishment (ANR)	Supported
Alarm	
Alarm Triggers	Alarm input / Network disconnect / Disk full / Disk error
Intelligent	Motion detection / Tampering / Guard line / Defocus / Scene change / Enter guard area / Exit guard area / Object left / Object removal / Gathering / Audio surge
Alarm Events	Alarm report / Recording / Text overlay / Snapshot / External output / Email notice / Acoustic alarm
Interfaces	
Ethernet	10/100M, RJ45 interface
Audio In / Out	2 x Line in / 1 x Line out / 1 x Built-in Mic
Control	1 x RS485
Alarm In / Out	1 x Input / 1 x Output
Video Out	1 x BNC, 1.0V [p-p] / 75Ω
Memory Slot	Micro SD card slot, supports up to 128GB
Environmental	
Operating Temperature	-40°C ~ 60°C / -40°F ~ 140°F
Operating Humidity	10% ~ 95%
Protection Level	IK10
Electrical	
Power	12V DC ± 10% / PoE (IEEE802.3af)
Power Consumption	Max. 11W
Mechanical	
Weight	0.5 kg / 1.1lb (Gross Weight)
Dimensions	$\Phi 97.62 \times 67.65\text{mm} / \Phi 3.85" \times 2.67"$

Dimensions

Units:mm



IPC2240-HN-SIR30

2.0MP HD Network Mini IR Semi Dome Camera



Features

Excellent Image Quality

- 2.0 Megapixel 1/3" progressive scan CMOS sensor
- High definition and smooth picture, 1080p@30fps
- H.265 video codec, saves up to 50% bandwidth and storage
- Low illumination, 0.03lux with color picture
- WDR / HLC / 3D noise reduction

Mini size

- 0.5 kg / 1.1lb
- $\Phi 97.62 \times 67.65\text{mm} / \Phi 3.85" \times 2.67"$

Intelligent Functions

- Motion detection / Tampering / Guard line / Defocus / Scene change / Enter guard area / Exit guard area / Object left / Object removal / Gathering / Audio surge

Integrated High Efficiency IR

- Industrial IR LED with long operational lifespan
- 10 ~ 30m IR distance
- Smart IR function

A Variety of Installation Modes

- Supports 90°, 180°, 270° image rotation

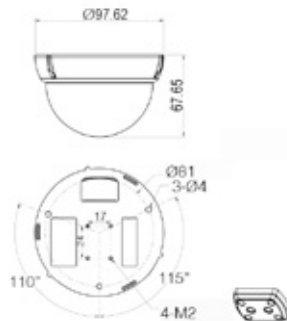
Abundant Functions and Features

- Micro SD card slot, supports Automatic Network Replenishment (ANR)
- Bi-directional audio / Built-in Mic / alarm in and out / video out / RS485
- 2 channel audio input simultaneously
- Dual-stream (1080p + D1)
- PoE
- IK10

Specifications

	IPC2240-HN-SIR30
Camera	
Image Sensor	1/3" progressive scan CMOS
Pixels	2.0 Megapixel
Min. Illumination	Color: 0.03lux @ (F1.6, AGC ON) B/W: 0lux with IR
Shutter Speed	1 ~ 1/30,000s
Day / Night	Auto (ICR) / Color / B/W
Wide Dynamic Range	Digital WDR
S/N Ratio	> 50dB
White Balance	Auto / Manual
Gain Control	Auto / Manual
Backlight Compensation	Off / WDR / BLC / HLC
Lens	
Mount Type	M12
Focal Length	2.8mm (-L0280) / 3.6mm (-L0360) / 6mm (-L0600)
Angle of View	101.2° (-L0280) / 78.6° (-L0360) / 53.4° (-L0600)
Adjustment Range	Pan: -102.5° ~ 102.5° / Tilt: 0° ~ 70°
Infrared	
IR Distance	10 ~ 30m
IR Intensity	Smart IR
Video	
Compression	H.265 / H.264 / MJPEG
Image Resolution	Main stream: 1080p Secondary stream: D1
Frame Rate	Main stream: 1080p@30fps Secondary stream: D1@30fps
Bitrate	32kbps ~ 16Mbps
Bitrate Control	VBR / CBR
Dual-stream	Supported
Caption	Date and time / Alarm / Customized
Privacy Masking	Up to 4 zones
Motion Detection	Up to 4 zones
Video Freeze	Supported
ROI	Supported
Digital Noise Reduction	3D noise reduction
Digital Defog	Supported
Image Flip	Flip / Mirror / Rotation at 90°, 180°, 270°
Audio	
Compression	G.711a / G.711u / ADPCM / G.722 / AAC-LC / G.722.1c / G.726
Bitrate	32kbps ~ 64kbps
Audio Function	Bi-directional audio / AEC / Mixed audio recording / Dumb / Mute
Network	
Network Protocols	TCP/IP, UDP, HTTP, DHCP, DNS/DDNS, RTP/RTCP, RTSP, PPPoE, FTP, VSIP, UPnP, 802.1x, NAT, QoS, SMTP, IPv4, IPv6 (optional)
User Interface	IPC Control (IE, Firefox, Chrome)
Max. User Access	Max. 10 Users (includes 2 internal)
Application Programming	ONVIF (Profile S, Profile G), GB/T 28181-2011, API, CGI
Automatic Network Replenishment (ANR)	Supported
Alarm	
Alarm Triggers	Alarm input / Network disconnect / Disk full / Disk error
Intelligent	Motion detection / Tampering / Guard line / Defocus / Scene change / Enter guard area / Exit guard area / Object left / Object removal / Gathering / Audio surge
Alarm Events	Alarm report / Recording / Text overlay / Snapshot / External output / Email notice / Acoustic alarm
Interfaces	
Ethernet	10/100M, RJ45 interface
Audio In / Out	2 x Line in / 1 x Line out / 1 x Built-in Mic
Control	1 x RS485
Alarm In / Out	1 x Input / 1 x Output
Video Out	1 x BNC, 1.0V [p-p] / 75Ω
Memory Slot	Micro SD card slot, supports up to 128GB
Environmental	
Operating Temperature	-40°C ~ 60°C / -40°F ~ 140°F
Operating Humidity	10% ~ 95%
Protection Level	IK10
Electrical	
Power	12V DC ± 10% / PoE (IEEE802.3af)
Power Consumption	Max. 11W
Mechanical	
Weight	0.5 kg / 1.1lb (Gross Weight)
Dimensions	$\Phi 97.62 \times 67.65\text{mm} / \Phi 3.85" \times 2.67"$

Dimensions Units:mm



IPC2440-HN-P

4.0MP HD Network Mini Semi Dome Camera



Features

Excellent Image Quality

- 4.0 Megapixel 1/3" progressive scan CMOS Sensor
- High definition and smooth picture, 2592x1520@20fps, 2048x1520@25fps, 1080p@30fps
- H.265 video codec, saves up to 50% bandwidth and storage
- Low illumination, 0.05lux with color picture
- WDR / HLC / 3D noise reduction

Mini size

- 0.5Kg / 1.1lb
- $\Phi 97.62 \times 67.65\text{mm} / \Phi 3.85" \times 2.67"$

Intelligent Functions

- Motion detection / Tampering / Guard line / Enter guard area / Exit guard area

A Variety of Installation Modes

- Supports 90°, 180°, 270° image rotation

Abundant Functions and Features

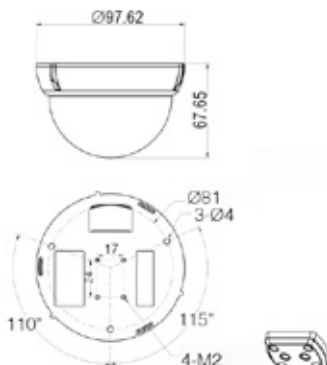
- Micro SD card slot, supports Automatic Network Replenishment (ANR)
- Built-in Mic
- Dual-stream (1080p + D1)
- PoE
- IK10

Specifications

	IPC2440-HN-P
Camera	
Image Sensor	1/3" progressive scan CMOS
Pixels	4.0 Megapixel
Min. Illumination	Color: 0.05lux @ (F1.6, AGC ON) B/W: 0.005lux @ (F1.6, AGC ON)
Shutter Speed	1 ~ 1/30,000s
Day / Night	Auto (ICR) / Color / B/W
Wide Dynamic Range	Digital WDR
S/N Ratio	> 50dB
White Balance	Auto / Manual
Gain Control	Auto / Manual
Backlight Compensation	Off / WDR / BLC / HLC
Lens	
Mount Type	M12
Focal Length	2.1mm (-L0210)
Angle of View	143.3° (-L0210)
Adjustment Range	Pan: -102.5° ~ 102.5° / Tilt: 0° ~ 70°
Video	
Compression	H.265 / H.264 / MJPEG
Image Resolution	Main stream: 2560x1440 Secondary stream: D1
Frame Rate	Main stream: 2592x1520@20fps, 2560x1440@25fps, 2048x1520@25fps, 1080p@30fps Secondary stream: D1@30fps
Bitrate	32kbps ~ 16Mbps
Bitrate Control	VBR / CBR
Dual-stream	Supported
Caption	Date and time / Alarm / Customized
Privacy Masking	Up to 4 zones
Motion Detection	Up to 4 zones
Video Freeze	Supported
ROI	Supported
Digital Noise Reduction	3D noise reduction
Digital Defog	Supported
Image Flip	Flip / Mirror / Rotation at 90°, 180°, 270°
Audio	
Compression	G.711a / G.711u / ADPCM / G.722 / AAC-LC / G.722.1c / G.726
Bitrate	32kbps ~ 64kbps
Audio Function	AEC / Dumb
Network	
Network Protocols	TCP/IP, UDP, HTTP, DHCP, DNS/DDNS, RTP/RTCP, RTSP, PPPoE, FTP, VSIP, UPnP, 802.1x, NAT, QoS, SMTP, IPv4, IPv6 (optional)
User Interface	IPC Control (IE, Firefox, Chrome)
Max. User Access	Max. 10 Users (includes 2 internal)
Application Programming	ONVIF (Profile S, Profile G), GB/T 28181-2011, API, CGI
Automatic Network Replenishment (ANR)	Supported
Alarm	
Alarm Triggers	Alarm input / Network disconnect / Disk full / Disk error
Intelligent	Motion detection / Tampering / Guard line / Enter guard area / Exit guard area
Alarm Events	Alarm report / Recording / Text overlay / Snapshot / External output / Email notice / Acoustic alarm
Interfaces	
Ethernet	10/100M, RJ45 interface
Audio In / Out	1 x Built-in Mic
Memory Slot	Micro SD card slot, supports up to 128GB
Environmental	
Operating Temperature	-40°C ~ 60°C / -40°F ~ 140°F
Operating Humidity	10% ~ 95%
Protection Level	IK10
Electrical	
Power	12V DC \pm 10% / PoE (IEEE802.3af)
Power Consumption	Max. 11W
Mechanical	
Weight	0.5kg / 1.1lb (Gross Weight)
Dimensions	$\Phi 97.62 \times 67.65\text{mm} / \Phi 3.85" \times 2.67"$

Dimensions

Units:mm



IPC2440-HN-PIR30

4.0MP HD Network Mini IR Semi Dome Camera



Features

Excellent Image Quality

- 4.0 Megapixel 1/3" progressive scan CMOS sensor
- High definition and smooth picture, 2592×1520@20fps, 2048×1520@25fps, 1080p@30fps
- H.265 video codec, saves up to 50% bandwidth and storage
- Low illumination, 0.05lux with color picture
- WDR / HLC / 3D noise reduction

Mini size

- 0.5 kg / 1.1lb
- $\Phi 97.62 \times 67.65\text{mm} / \Phi 3.85" \times 2.67"$

Intelligent Functions

- Motion detection / Tampering / Guard line / Enter guard area / Exit guard area

Integrated High Efficiency IR

- Industrial IR LED with long operational lifespan
- 10 ~ 30m IR distance
- Smart IR function

A Variety of Installation Modes

- Supports 90°, 180°, 270° image rotation

Abundant Functions and Features

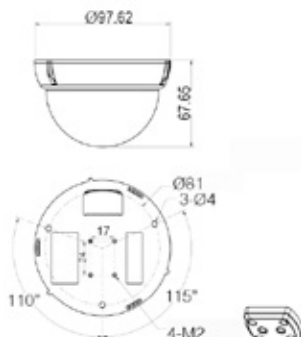
- Micro SD card slot, supports Automatic Network Replenishment (ANR)
- Built-in Mic
- Dual-stream (2592×1520 + D1)
- PoE
- IK10

Specifications

	IPC2440-HN-PIR30
Camera	
Image Sensor	1/3" progressive scan CMOS
Pixels	4.0 Megapixel
Min. Illumination	Color: 0.05lux @ (F1.6, AGC ON) B/W: 0lux with IR
Shutter Speed	1 ~ 1/30,000s
Day / Night	Auto (ICR) / Color / B/W
Wide Dynamic Range	Digital WDR
S/N Ratio	> 50dB
White Balance	Auto / Manual
Gain Control	Auto / Manual
Backlight Compensation	Off / WDR / BLC / HLC
Lens	
Mount Type	M12
Focal Length	2.8mm (-L0280) / 3.6mm (-L0360) / 6mm (-L0600)
Angle of View	$\Phi 101.2^\circ$ (-L0280) / $\Phi 78.6^\circ$ (-L0360) / $\Phi 53.4^\circ$ (-L0600)
Adjustment Range	Pan: $-102.5^\circ \sim 102.5^\circ$ / Tilt: $0^\circ \sim 70^\circ$
Infrared	
IR Distance	10 ~ 30m
IR Intensity	Smart IR
Video	
Compression	H.265 / H.264 / MJPEG
Image Resolution	Main stream: 2560×1440 Secondary stream: D1
Frame Rate	Main stream: 2592×1520@20fps, 2560×1440@25fps, 2048×1520@25fps, 1080p@30fps Secondary stream: D1@30fps
Bitrate	32kbps ~ 16Mbps
Bitrate Control	VBR / CBR
Dual-stream	Supported
Caption	Date and time / Alarm / Customized
Privacy Masking	Up to 4 zones
Motion Detection	Up to 4 zones
Video Freeze	Supported
ROI	Supported
Digital Noise Reduction	3D noise reduction
Digital Defog	Supported
Image Flip	Flip / Mirror / Rotation at 90°, 180°, 270°
Audio	
Compression	G.711a / G.711u / ADPCM / G.722 / AAC-LC / G.722.1c / G.726
Bitrate	32kbps ~ 64kbps
Audio Function	AEC / Dumb
Network	
Network Protocols	TCP/IP, UDP, HTTP, DHCP, DNS/DDNS, RTP/RTCP, RTSP, PPPoE, FTP, VSIP, UPnP, 802.1x, NAT, QoS, SMTP, IPv4, IPv6 (optional)
User Interface	IPC Control (IE, Firefox, Chrome)
Max. User Access	Max. 10 Users (includes 2 internal)
Application Programming	ONVIF (Profile S, Profile G), GB/T 28181-2011, API, CGI
Automatic Network Replenishment (ANR)	Supported
Alarm	
Alarm Triggers	Alarm input / Network disconnect / Disk full / Disk error
Intelligent	Motion detection / Tampering / Guard line / Enter guard area / Exit guard area
Alarm Events	Alarm report / Recording / Text overlay / Snapshot / External output / Email notice / Acoustic alarm
Interfaces	
Ethernet	10/100M, RJ45 interface
Audio In / Out	1 x Built-in Mic
Memory Slot	Micro SD card slot, supports up to 128GB
Environmental	
Operating Temperature	$-40^\circ\text{C} \sim 60^\circ\text{C} / -40^\circ\text{F} \sim 140^\circ\text{F}$
Operating Humidity	10% ~ 95%
Protection Level	IK10
Electrical	
Power	12V DC $\pm 10\%$ / PoE (IEEE802.3af)
Power Consumption	Max. 11W
Mechanical	
Weight	0.5 kg / 1.1lb (Gross Weight)
Dimensions	$\Phi 97.62 \times 67.65\text{mm} / \Phi 3.85" \times 2.67"$

Dimensions

Units:mm



IPC2440-HN-S

4.0MP HD Network Mini Semi Dome Camera



Features

Excellent Image Quality

- 4.0 Megapixel 1/3" progressive scan CMOS sensor
- High definition and smooth picture, 2592×1520@20fps, 2048×1520@25fps, 1080p@30fps
- H.265 video codec, saves up to 50% bandwidth and storage
- Low illumination, 0.05lux with color picture
- WDR / HLC / 3D noise reduction

Mini size

- 0.5 kg / 1.1lb
- $\Phi 97.62 \times 67.65\text{mm} / \Phi 3.85" \times 2.67"$

Intelligent Functions

- Motion detection / Tampering / Guard line / Defocus / Scene change / Enter guard area / Exit guard area / Object left / Object removal / Gathering / Audio surge

A Variety of Installation Modes

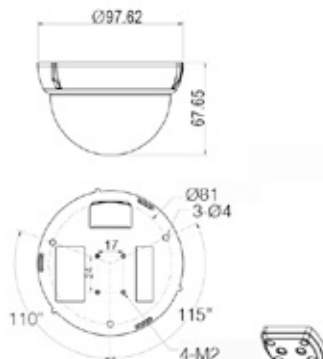
- Supports 90°, 180°, 270° image rotation

Abundant Functions and Features

- Micro SD card slot, supports Automatic Network Replenishment (ANR)
- Bi-directional audio / Built-in Mic / alarm in and out / video out / RS485
- 2 channel audio input simultaneously
- Dual-stream (2592×1520 + D1)
- PoE
- IK10

Dimensions

Units:mm



Specifications

	IPC2440-HN-S
Camera	
Image Sensor	1/3" progressive scan CMOS
Pixels	4.0 Megapixel
Min. Illumination	Color: 0.05lux @ (F1.6, AGC ON) B/W: 0.005lux @ (F1.6, AGC ON)
Shutter Speed	1 ~ 1/30,000s
Day / Night	Auto (ICR) / Color / B/W
Wide Dynamic Range	Digital WDR
S/N Ratio	>50dB
White Balance	Auto / Manual
Gain Control	Auto / Manual
Backlight Compensation	Off / WDR / BLC / HLC
Lens	
Mount Type	M12
Focal Length	2.1mm (-L0210)
Angle of View	143.3° (-L0210)
Adjustment Range	Pan: -102.5° ~ 102.5° / Tilt: 0° ~ 70°
Video	
Compression	H.265 / H.264 / MJPEG
Image Resolution	Main stream: 2560×1440 Secondary stream: D1
Frame Rate	Main stream: 2592×1520@20fps, 2560×1440@25fps, 2048×1520@25fps, 1080p@30fps Secondary stream: D1@30fps
Bitrate	32kbps ~ 16Mbps
Bitrate Control	VBR / CBR
Dual-stream	Supported
Caption	Date and time / Alarm / Customized
Privacy Masking	Up to 4 zones
Motion Detection	Up to 4 zones
Video Freeze	Supported
ROI	Supported
Digital Noise Reduction	3D noise reduction
Digital Defog	Supported
Image Flip	Flip / Mirror / Rotation at 90°, 180°, 270°
Audio	
Compression	G.711a / G.711u / ADPCM / G.722 / AAC-LC / G.722.1c / G.726
Bitrate	32kbps ~ 64kbps
Audio Function	Bi-directional audio / AEC / Mixed audio recording / Dumb / Mute
Network	
Network Protocols	TCP/IP, UDP, HTTP, DHCP, DNS/DDNS, RTP/RTCP, RTSP, PPPoE, FTP, VSIP, UPnP, 802.1x, NAT, QoS, SMTP, IPv4, IPv6 (optional)
User Interface	IPC Control (IE, Firefox, Chrome)
Max. User Access	Max. 10 Users (includes 2 internal)
Application Programming	ONVIF (Profile S, Profile G), GB/T 28181-2011, API, CGI
Automatic Network Replenishment (ANR)	Supported
Alarm	
Alarm Triggers	Alarm input / Network disconnect / Disk full / Disk error
Intelligent	Motion detection / Tampering / Guard line / Defocus / Scene change / Enter guard area / Exit guard area / Object left / Object removal / Gathering / Audio surge
Alarm Events	Alarm report / Recording / Text overlay / Snapshot / External output / Email notice / Acoustic alarm
Interfaces	
Ethernet	10/100M, RJ45 interface
Audio In / Out	1 x Built-in Mic / 2 x Line in / 1 x Line out
Control	1 x RS485
Alarm In / Out	1 x Input / 1 x Output
Video Out	1 x BNC, 1.0V [p-p] / 75Ω
Memory Slot	Micro SD card slot, supports up to 128GB
Environmental	
Operating Temperature	-40°C ~ 60°C / -40°F ~ 140°F
Operating Humidity	10% ~ 95%
Protection Level	IK10
Electrical	
Power	12V DC ± 10% / PoE (IEEE802.3af)
Power Consumption	Max. 11W
Mechanical	
Weight	0.5 kg / 1.1lb (Gross Weight)
Dimensions	$\Phi 97.62 \times 67.65\text{mm} / \Phi 3.85" \times 2.67"$

IPC2440-HN-SIR30

4.0MP HD Network Mini IR Semi Dome Camera



Features

Excellent Image Quality

- 4.0 Megapixel 1/3" progressive scan CMOS sensor
- High definition and smooth picture, 2592×1520@20fps, 2048×1520@25fps, 1080p@30fps
- H.265 video codec, saves up to 50% bandwidth and storage
- Low illumination, 0.05lux with color picture
- WDR / HLC / 3D noise reduction

Mini size

- 0.5 kg / 1.1lb
- $\Phi 97.62 \times 67.65\text{mm} / \Phi 3.85" \times 2.67"$

Intelligent Functions

- Motion detection / Tampering / Guard line / Defocus / Scene change / Enter guard area / Exit guard area / Object left / Object removal / Gathering / Audio surge

Integrated High Efficiency IR

- Industrial IR LED with long operational lifespan
- 10 ~ 30m IR distance
- Smart IR function

A Variety of Installation Modes

- Supports 90°, 180°, 270° image rotation

Abundant Functions and Features

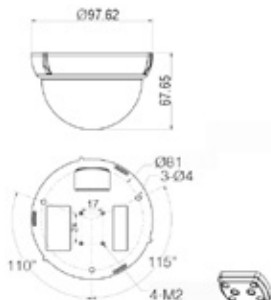
- Micro SD card slot, supports Automatic Network Replenishment (ANR)
- Bi-directional audio / Built-in Mic / alarm in and out / video out / RS485
- 2 channel audio input simultaneously
- Dual-stream (2592×1520 + D1)
- PoE
- IK10

Specifications

	IPC2440-HN-SIR30
Camera	
Image Sensor	1/3" progressive scan CMOS
Pixels	4.0 Megapixel
Min. Illumination	Color: 0.05lux @ (F1.6, AGC ON) B/W: 0lux with IR
Shutter Speed	1 ~ 1/30,000s
Day / Night	Auto (ICR) / Color / B/W
Wide Dynamic Range	Digital WDR
S/N Ratio	> 50dB
White Balance	Auto / Manual
Gain Control	Auto / Manual
Backlight Compensation	Off / WDR / BLC / HLC
Lens	
Mount Type	M12
Focal Length	2.8mm (-L0280) / 3.6mm (-L0360) / 6mm (-L0600)
Angle of View	101.2° (-L0280) / 78.6° (-L0360) / 53.4° (-L0600)
Adjustment Range	Pan: -102.5° ~ 102.5° / Tilt: 0° ~ 70°
Infrared	
IR Distance	10 ~ 30m
IR Intensity	Smart IR
Video	
Compression	H.265 / H.264 / MJPEG
Image Resolution	Main stream: 2560×1440 Secondary stream: D1
Frame Rate	Main stream: 2592×1520@20fps, 2560×1440@25fps, 2048×1520@25fps, 1080p@30fps Secondary stream: D1@30fps
Bitrate	32kbps ~ 16Mbps
Bitrate Control	VBR / CBR
Dual-stream	Supported
Caption	Date and time / Alarm / Customized
Privacy Masking	Up to 4 zones
Motion Detection	Up to 4 zones
Video Freeze	Supported
ROI	Supported
Digital Noise Reduction	3D noise reduction
Digital Defog	Supported
Image Flip	Flip / Mirror / Rotation at 90°, 180°, 270°
Audio	
Compression	G.711a / G.711u / ADPCM / G.722 / AAC-LC / G.722.1c / G.726
Bitrate	32kbps ~ 64kbps
Audio Function	Bi-directional audio / AEC / Mixed audio recording / Dumb / Mute
Network	
Network Protocols	TCP/IP, UDP, HTTP, DHCP, DNS/DDNS, RTP/RTCP, RTSP, PPPoE, FTP, VSIP, UPnP, 802.1x, NAT, QoS, SMTP, IPv4, IPv6 (optional)
User Interface	IPC Control (IE, Firefox, Chrome)
Max. User Access	Max. 10 Users (includes 2 internal)
Application Programming	ONVIF (Profile S, Profile G), GB/T 28181-2011, API, CGI
Automatic Network Replenishment (ANR)	Supported
Alarm	
Alarm Triggers	Alarm input / Network disconnect / Disk full / Disk error
Intelligent	Motion detection / Tampering / Guard line / Defocus / Scene change / Enter guard area / Exit guard area / Object left / Object removal / Gathering / Audio surge
Alarm Events	Alarm report / Recording / Text overlay / Snapshot / External output / Email notice / Acoustic alarm
Interfaces	
Ethernet	10/100M, RJ45 interface
Audio In / Out	1 x Built-in Mic / 2 x Line in / 1 x Line out
Control	1 x RS485
Alarm In / Out	1 x Input / 1 x Output
Video Out	1 x BNC, 1.0V [p-p] / 75Ω
Memory Slot	Micro SD card slot, supports up to 128GB
Environmental	
Operating Temperature	-40°C ~ 60°C / -40°F ~ 140°F
Operating Humidity	10% ~ 95%
Protection Level	IK10
Electrical	
Power	12V DC ± 10% / PoE (IEEE802.3af)
Power Consumption	Max. 11W
Mechanical	
Weight	0.5 kg / 1.1lb (Gross Weight)
Dimensions	$\Phi 97.62 \times 67.65\text{mm} / \Phi 3.85" \times 2.67"$

Dimensions

Units:mm



LC2110-BN-D

1.3MP HD Network IR Semi Dome Camera



Features

Excellent Image Quality

- 1.3 Megapixel 1/3" progressive scan CMOS sensor
- High definition and smooth picture, 960p@30fps
- Low illumination, 0.01lux with color picture
- WDR support / 3D noise reduction

Integrated High Efficiency IR

- Industrial IR LED with long operational lifespan
- 30m IR distance
- Smart IR function

Abundant Functions and Features

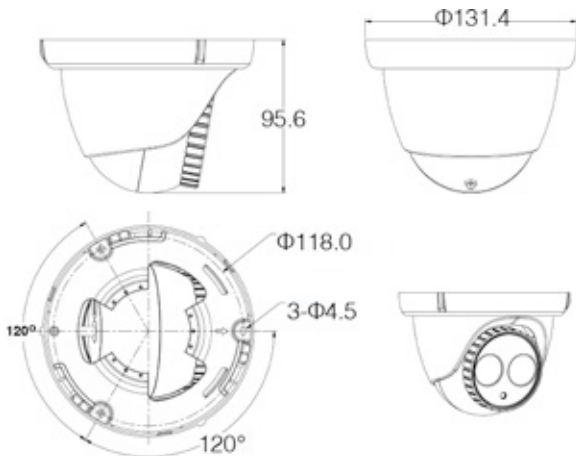
- Dual-stream (960p+D1)
- IP66

Specifications

Camera	LC2110-BN-D (IR1, IR2, IR3, IR4, IR5)
Image Sensor	1/3" progressive scan CMOS
Pixels	1.3 Megapixel
Min. Illumination	Color: 0.01lux @ (F1.6, AGC ON) B/W: 0lux with IR
Shutter Speed	1/10 ~ 1/10,000s
Day / Night	Auto (ICR) / Color / B/W
Wide Dynamic Range	Digital WDR
S/N Ratio	> 50dB
White Balance	Auto / Manual
Gain Control	Auto / Manual
Backlight Compensation	Off / BLC / WDR
Lens	M12
Mount Type	2.8mm (IR1) / 3.6mm (IR2) / 6mm (IR3) / 8mm (IR4) / 12mm (IR5)
Focal Length	
Angle of View	96.3° (IR1) / 74.5° (IR2) / 46.3° (IR3) / 35.5° (IR4) / 23° (IR5)
Adjustment Range	Pan: 0° ~ 360° / Tilt: 0° ~ 85° / Rotation: 0° ~ 360°
Infrared	
IR LED	1pcs IR LED
IR Distance	30m
IR Intensity	Smart IR
Video	
Compression	H.264
Image Resolution	Main stream: 960p Secondary stream: D1
Frame Rate	Main stream: 960p@30fps Secondary stream: D1@30fps
Bitrate	64kbps ~ 8Mbps
Bitrate Control	VBR / CBR
Dual-stream	Supported
Caption	Date and time / Alarm / Customized
Privacy Masking	Up to 4 zones
Motion Detection	Up to 4 zones
Video Freeze	Supported
Digital Noise Reduction	3D noise reduction
Image Flip	Flip / Mirror
Network	
Network Protocols	TCP/IP, UDP, HTTP, DHCP, DNS/DDNS, RTP/RTCP, RTSP, PPPoE, FTP, VSIP, UPnP, 802.1x, IPv4, IPv6 (optional)
User Interface	IPC Control (IE, Firefox, Chrome)
Max. User Access	Max. 10 Users (includes 2 internal)
Application Programming	ONVIF (Profile S), GB/T 28181-2011, API, CGI
Alarm	
Alarm Triggers	Motion detection
Alarm Events	Alarm caption / Snapshot
Interfaces	
Ethernet	10/100M, RJ45 interface
Environmental	
Operating Temperature	-30°C ~ 60°C / -22°F ~ 140°F
Operating Humidity	10% ~ 95%
Protection Level	IP66
Electrical	
Power	12V DC ± 10%
Power Consumption	Max. 11W
Mechanical	
Weight	1 kg / 2.2lb (Gross Weight)
Dimensions	Φ131.4 x 95.6mm / Φ5.17" x 3.76"

Dimensions

Units:mm



IPC2111-HN-DIR

1.3MP HD Network IR Semi Dome Camera



Features

Excellent Image Quality

- 1.3 Megapixel 1/3" progressive scan CMOS sensor
- High definition and smooth picture, 960p@30fps
- H.265 video codec, saves up to 50% bandwidth and storage
- Low illumination, 0.01lux with color picture
- WDR / HLC / 3D noise reduction

Intelligent Functions

- Motion detection / Tampering / Guard line / Enter guard area / Exit guard area

Integrated High Efficiency IR

- Industrial IR LED with long operational lifespan
- 30m IR distance
- Smart IR function

A Variety of Installation Modes

- Supports 90°, 180°, 270° image rotation

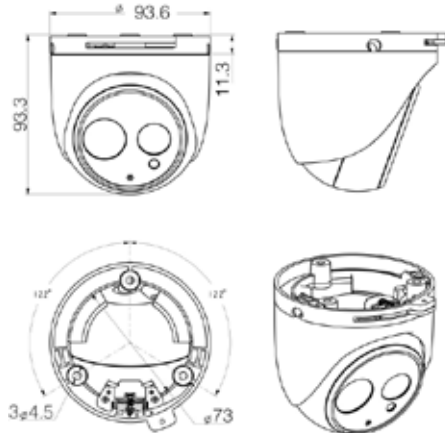
Abundant Functions and Features

- Built-in Mic
- Dual-stream (960p + D1)
- Anti-fog glass
- IP66

Specifications

Camera	IPC2111-HN-DIR
Image Sensor	1/3" progressive scan CMOS
Pixels	1.3 Megapixel
Min. Illumination	Color: 0.01lux @ (F1.6, AGC ON) B/W: 0lux with IR
Shutter Speed	1 ~ 1/30,000s
Day / Night	Auto (ICR) / Color / B/W
Wide Dynamic Range	Digital WDR
S/N Ratio	>50dB
White Balance	Auto / Manual
Gain Control	Auto / Manual
Backlight Compensation	Off / WDR / BLC / HLC
Lens	
Mount Type	M12
Focal Length	2.8mm (-L0280) / 3.6mm (-L0360) / 6mm (-L0600) / 8mm (-L0800)
Angle of View	101.2° (-L0280) / 78.6° (-L0360) / 53.2° (-L0600) / 36.8° (-L0800)
Adjustment Range	Pan: 0° ~ 360° / Tilt: 0° ~ 85° / Rotation: 0° ~ 360°
Infrared	
IR Distance	30m
IR Intensity	Smart IR
Video	
Compression	H.265 / H.264 / MJPEG
Image Resolution	Main stream: 960p Secondary stream: D1
Frame Rate	Main stream: 960p@30fps Secondary stream: D1@30fps
Bitrate	64kbps ~ 16Mbps
Bitrate Control	VBR / CBR
Dual-stream	Supported
Caption	Date and time / Alarm / Customized
Privacy Masking	Up to 4 zones
Motion Detection	Up to 4 zones
ROI	Supported
Digital Noise Reduction	3D noise reduction
Digital Defog	Supported
Image Flip	Flip / Mirror / Rotation 90°, 180°, 270°
Audio	
Compression	G.711a / G.711u / ADPCM / G.722 / AAC-LC
Bitrate	32kbps ~ 64kbps
Network	
Network Protocols	TCP/IP, UDP, HTTP, DHCP, DNS/DDNS, RTP/RTCP, RTSP, PPPoE, FTP, VSIP, UPnP, 802.1x, NAT, QoS, SMTP, IPv4, IPv6 (optional)
User Interface	IPC Control (IE, Firefox, Chrome)
Max. User Access	Max. 10 Users (includes 2 internal)
Application Programming	ONVIF (Profile S, Profile G), GB/T 28181-2011, API, CGI
Alarm	
Alarm Triggers	Network disconnect
Intelligent	Motion detection / Tampering / Guard line / Enter guard area / Exit guard area
Alarm Events	Alarm report / Text overlay / Email notice
Interfaces	
Ethernet	10/100M, RJ45 interface
Audio	1 x Built-in Mic
Environmental	
Operating Temperature	-40°C ~ 60°C / -40°F ~ 140°F
Operating Humidity	10% ~ 95%
Protection level	IK10 (optional), IP66
Electrical	
Power	12V DC ± 10%
Power Consumption	Max. 11W
Mechanical	
Weight	1 kg / 2.2lb (Gross Weight)
Dimensions	Φ93.6 × 93.3mm / Φ3.69" × 3.68"

Dimensions Units:mm



IPC2211-FN-DIR

2.0MP Starlight & Ultra WDR HD Network IR Semi Dome



Features

Excellent Image Quality

- 2.0 Megapixel 1/2.8" progressive scan CMOS sensor
- High definition and smooth picture, 1080p@30fps
- H.265 video codec, saves up to 50% bandwidth and storage
- Ultra low illumination, 0.002lux with color picture
- 120dB Ultra WDR
- 3D noise reduction / Auto Iris / HLC

Intelligent Functions

- Motion detection / Tampering / Guard line / Enter guard area / Exit guard area

Integrated High Efficiency IR

- Industrial IR LED with long operational lifespan
- 40m IR distance
- Smart IR function

A Variety of Installation Modes

- Supports 90°, 180°, 270° image rotation

Abundant Functions and Features

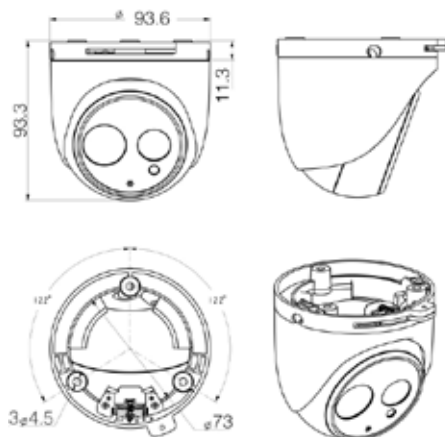
- Built-in Mic
- Dual-stream (1080p + D1)
- Anti-fog glass
- IP66

Specifications

	IPC2211-FN-DIR
Camera	
Image Sensor	1/2.8" progressive scan CMOS
Pixels	2.0 Megapixel
Min. Illumination	Color: 0.002lux @ (F1.6, AGC ON) B/W: 0.0002lux @ (F1.6, AGC ON)
Shutter Speed	1 ~ 1/30,000s
Day / Night	Auto (ICR) / Color / B/W
Wide Dynamic Range	Ultra WDR, >=120dB
S/N Ratio	>50dB
White Balance	Auto / Manual
Gain Control	Auto / Manual
Backlight Compensation	Off / WDR / BLC / HLC
Lens	
Mount Type	M12
Focal Length	2.8mm (-L0280) / 3.6mm (-L0360) / 6mm (-L0600) / 8mm (-L0800)
Angle of View	101.2° (-L0280) / 78.6° (-L0360) / 53.2° (-L0600) / 36.8° (-L0800)
Adjustment Range	Pan: 0° ~ 360° / Tilt: 0° ~ 85° / Rotation: 0° ~ 360°
Infrared	
IR Distance	40m
IR Intensity	Smart IR
Video	
Compression	H.265 / H.264 / MJPEG
Image Resolution	Main stream: 1080p Secondary stream: D1
Frame Rate	Main stream: 1080p@30fps Secondary stream: D1@30fps
Bitrate	64kbps ~ 16Mbps
Bitrate Control	VBR / CBR
Dual-stream	Supported
Caption	Date and time / Alarm / Customized
Privacy Masking	Up to 4 zones
Motion Detection	Up to 4 zones
ROI	Supported
Digital Noise Reduction	3D noise reduction
Digital Defog	Supported
Image Flip	Flip / Mirror / Rotation 90°, 180°, 270°
Audio	
Compression	G.711a / G.711u / ADPCM / G.722 / AAC-LC
Bitrate	32kbps ~ 64kbps
Network	
Network Protocols	TCP/IP, UDP, HTTP, DHCP, DNS/DDNS, RTP/RTCP, RTSP, PPPoE, FTP, VSIP, UPnP, 802.1x, NAT, QoS, SMTP, IPv4, IPv6 (optional)
User Interface	IPC Control (IE, Firefox, Chrome)
Max. User Access	Max. 10 Users (includes 2 internal)
Application Programming	ONVIF (Profile S, Profile G), GB/T 28181-2011, API, CGI
Alarm	
Alarm Triggers	Network disconnect
Intelligent	Motion detection / Tampering / Guard line / Enter guard area / Exit guard area
Alarm Events	Alarm report / Text overlay / Email notice
Interfaces	
Ethernet	10/100M, RJ45 interface
Audio	1 x Built-in Mic
Environmental	
Operating Temperature	-40°C ~ 60°C / -40°F ~ 140°F
Operating Humidity	10% ~ 95%
Protection level	IK10 (optional), IP66
Electrical	
Power	12V DC ± 10%
Power Consumption	Max. 11W
Mechanical	
Weight	1 kg / 2.2lb (Gross Weight)
Dimensions	Φ93.6 × 93.3mm / Φ3.69" × 3.68"

Dimensions

Units:mm



IPC2211-FN-PIR

2.0MP Starlight & Ultra WDR HD Network IR Semi Dome



Features

Excellent Image Quality

- 2.0 Megapixel 1/2.8" progressive scan CMOS Sensor
- High definition and smooth picture, 1080p@30fps
- H.265 video codec, saves up to 50% bandwidth and storage
- Ultra low illumination, 0.002lux with color picture
- 120dB Ultra WDR
- 3D noise reduction / Auto Iris / HLC

Intelligent Functions

- Motion detection / Tampering / Guard line / Enter guard area / Exit guard area

Integrated High Efficiency IR

- Industrial IR LED with long operational lifespan
- 40m IR distance
- Smart IR function

A Variety of Installation Modes

- Supports 90°, 180°, 270° image rotation

Abundant Functions and Features

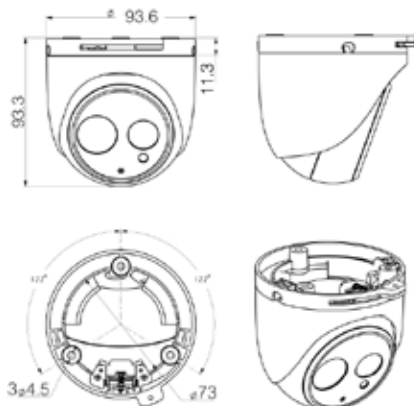
- Micro SD card slot, supports Automatic Network Replenishment (ANR)
- Built-in Mic
- Dual-stream (1080p + D1)
- Anti-fog glass
- PoE
- IP66

Specifications

IPC2211-FN-PIR	
Camera	
Image Sensor	1/2.8" progressive scan CMOS
Pixels	2.0 Megapixel
Min. Illumination	Color: 0.002lux @ (F1.6, AGC ON) B/W: 0.0002lux @ (F1.6, AGC ON)
Shutter Speed	1 ~ 1/30,000s
Day / Night	Auto (ICR) / Color / B/W
Wide Dynamic Range	Ultra WDR, >=120dB
S/N Ratio	>50dB
White Balance	Auto / Manual
Gain Control	Auto / Manual
Backlight Compensation	Off / WDR / BLC / HLC
Lens	
Mount Type	M12
Focal Length	2.8mm (-L0280) / 3.6mm (-L0360) / 6mm (-L0600) / 8mm (-L0800)
Angle of View	101.2° (-L0280) / 78.6° (-L0360) / 53.2° (-L0600) / 36.8° (-L0800)
Adjustment Range	Pan: 0° ~ 360° / Tilt: 0° ~ 85° / Rotation: 0° ~ 360°
Infrared	
IR Distance	40m
IR Intensity	Smart IR
Video	
Compression Format	H.265 / H.264 / MJPEG
Image Resolution	Main stream: 1080p Secondary stream: D1
Frame Rate	Main stream: 1080p@30fps Secondary stream: D1@30fps
Bitrate	64kbps ~ 16Mbps
Bitrate Control	VBR / CBR
Dual-stream	Supported
Caption	Date and time / Alarm / Customized
Privacy Masking	Up to 4 zones
Motion Detection	Up to 4 zones
ROI	Supported
Digital Noise Reduction	3D noise reduction
Digital Defog	Supported
Image Flip	Flip / Mirror / Rotation at 90°, 180°, 270°
Audio	
Compression	G.711a / G.711u / ADPCM / G.722 / AAC-LC / G.722.1c / G.726
Bitrate	32kbps ~ 64kbps
Audio Function	AEC / Dumb
Network	
Network Protocols	TCP/IP, UDP, HTTP, DHCP, DNS/DDNS, RTP/RTCP, RTSP, PPPoE, FTP, VSIP, UPnP, 802.1x, NAT, QoS, SMTP, IPv4, IPv6 (optional)
User Interface	IPC Control (IE, Firefox, Chrome)
Max. User Access	Max. 10 Users (includes 2 internal)
Application Programming	ONVIF (Profile S, Profile G), GB/T 28181-2011, API, CGI
Automatic Network Replenishment (ANR)	Supported
Alarm	
Alarm Triggers	Network disconnect / Disk full / Disk error
Intelligent	Motion detection / Tampering / Guard line / Enter guard area / Exit guard area
Alarm Events	Alarm report / Recording / Text overlay / Snapshot / Email notice
Interfaces	
Ethernet	10/100M, RJ45 interface
Audio In / Out	1 x Built-in Mic
Memory Slot	Micro SD card slot, supports up to 128GB
Environmental	
Operating Temperature	-40°C ~ 60°C / -40°F ~ 140°F
Operating Humidity	10% ~ 95%
Protection level	IK10 (optional), IP66
Electrical	
Power	12V DC ± 10% / PoE (IEEE802.3af)
Power Consumption	Max. 11W
Mechanical	
Weight	1kg / 2.2lb (Gross Weight)
Dimensions	Φ93.6 × 93.3mm / Φ3.69" × 3.68"

Dimensions

Units:mm



IPC2211-FN-SIR

2.0MP Starlight & Ultra WDR HD Network IR Semi Dome



Features

Excellent Image Quality

- 2.0 Megapixel 1/2.8" progressive scan CMOS sensor
- High definition and smooth picture, 1080p@30fps
- H.265 video codec, saves up to 50% bandwidth and storage
- Ultra low illumination, 0.002lux with color picture
- 120dB Ultra WDR
- 3D noise reduction / Auto Iris / HLC

Intelligent Functions

- Motion detection / Tampering / Guard line / Defocus / Scene change / Enter guard area / Exit guard area / Object left / Object removal / Gathering / Audio surge

Integrated High Efficiency IR

- Industrial IR LED with long operational lifespan
- 40m IR distance
- Smart IR function

A Variety of Installation Modes

Supports 90°, 180°, 270° image rotation

Abundant Functions and Features

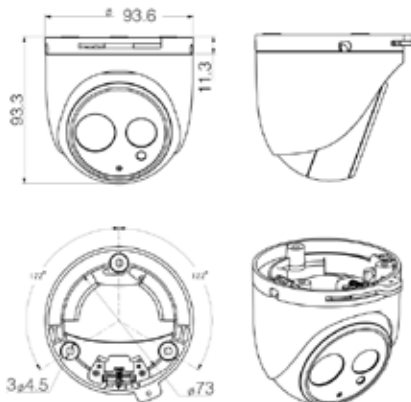
- Micro SD card slot, supports Automatic Network Replenishment (ANR)
- Bi-directional audio / Built-in Mic / alarm in and out / video out / RS485
- 2 channel audio input simultaneously
- Dual-stream (1080p + D1)
- Anti-fog glass
- PoE
- IP66

Specifications

	IPC2211-FN-SIR
Camera	
Image Sensor	1/2.8" progressive scan CMOS
Pixels	2.0 Megapixel
Min. Illumination	Color: 0.002lux @ (F1.6, AGC ON) B/W: 0.0002lux @ (F1.6, AGC ON)
Shutter Speed	1 ~ 1/30,000s
Day / Night	Auto (ICR) / Color / B/W
Wide Dynamic Range	Ultra WDR, >=120dB
S/N Ratio	>50dB
White Balance	Auto / Manual
Gain Control	Auto / Manual
Backlight Compensation	Off / WDR / BLC / HLC
Lens	
Mount Type	M12
Focal Length	2.8mm (-L0280) / 3.6mm (-L0360) / 6mm (-L0600) / 8mm (-L0800)
Angle of View	101.2° (-L0280) / 78.6° (-L0360) / 53.2° (-L0600) / 36.8° (-L0800)
Adjustment Range	Pan: 0° ~ 360° / Tilt: 0° ~ 85° / Rotation: 0° ~ 360°
Infrared	
IR Distance	40m
IR Intensity	Smart IR
Video	
Compression	H.265 / H.264 / MJPEG
Image Resolution	Main stream: 1080p Secondary stream: D1
Frame Rate	Main stream: 1080p@30fps Secondary stream: D1@30fps
Bitrate	64kbps ~ 16Mbps
Bitrate Control	VBR / CBR
Dual-stream	Supported
Caption	Date and time / Alarm / Customized
Privacy Masking	Up to 4 zones
Motion Detection	Up to 4 zones
ROI	Supported
Digital Noise Reduction	3D noise reduction
Digital Defog	Supported
Image Flip	Flip / Mirror / Rotation 90°, 180°, 270°
Audio	
Compression	G.711a / G.711u / ADPCM / G.722 / AAC-LC
Bitrate	32kbps ~ 64kbps
Audio Function	Bi-directional audio / AEC / Mixed audio recording / Dumb / Mute
Network	
Network Protocols	TCP/IP, UDP, HTTP, DHCP, DNS/DDNS, RTP/RTCP, RTSP, PPPoE, FTP, VSIP, UPnP, 802.1x, NAT, QoS, SMTP, IPv4, IPv6 (optional)
User Interface	IPC Control (IE, Firefox, Chrome)
Max. User Access	Max. 10 Users (includes 2 internal)
Application Programming	ONVIF (Profile S, Profile G), GB/T 28181-2011, API, CGI
Automatic Network Replenishment (ANR)	Supported
Alarm	
Alarm Triggers	Alarm input / Network disconnect / Disk full / Disk error
Intelligent	Motion detection / Tampering / Guard line / Defocus / Scene change / Enter guard area / Exit guard area / Object left / Object removal / Gathering / Audio surge
Alarm Events	Alarm report / Recording / Text overlay / Snapshot / External output / Email notice / Acoustic alarm
Interfaces	
Ethernet	10/100M, RJ45 interface
Audio In / Out	2 x Line in / 1 x Line out / 1 x Built-in Mic
Control	1 x RS485
Alarm In / Out	1 x Input / 1 x Output
Video Out	1 x BNC, 1.0V [p-p] / 75Ω
Memory Slot	Micro SD card slot, supports up to 128GB
Environmental	
Operating Temperature	-40°C ~ 60°C / -40°F ~ 140°F
Operating Humidity	10% ~ 95%
Protection level	IK10 (optional), IP66
Electrical	
Power	12V DC ± 10% / PoE (IEEE802.3af)
Power Consumption	Max. 11W
Mechanical	
Weight	1 kg / 2.2lb (Gross Weight)
Dimensions	Φ93.6 × 93.3mm / Φ3.69" × 3.68"

Dimensions

Units:mm



IPC2411-HN-DIR

4.0MP HD Network IR Semi Dome Camera



Features

Excellent Image Quality

- 4.0 Megapixel 1/3" progressive scan CMOS sensor
- High definition and smooth picture, 2592x1520@20fps, 2048x1520@25fps, 1080p@30fps
- H.265 video codec, saves up to 50% bandwidth and storage
- Low illumination, 0.05lux with color picture
- WDR / HLC / 3D noise reduction

Intelligent Functions

- Motion detection / Tampering / Guard line / Enter guard area / Exit guard area

Integrated High Efficiency IR

- Industrial IR LED with long operational lifespan
- 30m IR distance
- Smart IR function

A Variety of Installation Modes

- Supports 90°, 180°, 270° image rotation

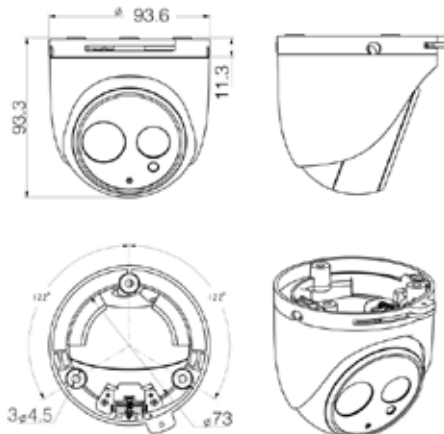
Abundant Functions and Features

- Built-in Mic
- Dual-stream (2592x1520 + D1)
- Anti-fog glass
- IP66

Specifications

IPC2411-HN-DIR	
Camera	
Image Sensor	1/3" progressive scan CMOS
Pixels	4.0 Megapixel
Min. Illumination	Color: 0.05lux @ (F1.6, AGC ON) B/W: 0lux with IR
Shutter Speed	1 ~ 1/30,000s
Day / Night	Auto (ICR) / Color / B/W
Wide Dynamic Range	Digital WDR
S/N Ratio	> 50dB
White Balance	Auto / Manual
Gain Control	Auto / Manual
Backlight Compensation	Off / WDR / BLC / HLC
Lens	
Mount Type	M12
Focal Length	2.8mm (-L0280) / 3.6mm (-L0360) / 6mm (-L0600) / 8mm (-L0800)
Angle of View	101.2° (-L0280) / 78.6° (-L0360) / 53.2° (-L0600) / 36.8° (-L0800)
Adjustment Range	Pan: 0° ~ 360° / Tilt: 0° ~ 85° / Rotation: 0° ~ 360°
Infrared	
IR Distance	30m
IR Intensity	Smart IR
Video	
Compression	H.265 / H.264 / MJPEG
Image Resolution	Main stream: 2592x1520 Secondary stream: D1
Frame Rate	Main stream: 2592x1520@20fps, 2048x1520@25fps, 1080p@30fps Secondary stream: D1@30fps
Bitrate	64kbps ~ 16Mbps
Bitrate Control	VBR / CBR
Dual-stream	Supported
Caption	Date and time / Alarm / Customized
Privacy Masking	Up to 4 zones
Motion Detection	Up to 4 zones
ROI	Supported
Digital Noise Reduction	3D noise reduction
Digital Defog	Supported
Image Flip	Flip / Mirror / Rotation 90°, 180°, 270°
Audio	
Compression	G.711a / G.711u / ADPCM / G.722 / AAC-LC
Bitrate	32kbps ~ 64kbps
Network	
Network Protocols	TCP/IP, UDP, HTTP, DHCP, DNS/DDNS, RTP/RTCP, RTSP, PPPoE, FTP, VSIP, UPnP, 802.1x, NAT, QoS, SMTP, IPv4, IPv6 (optional)
User Interface	IPC Control (IE, Firefox, Chrome)
Max. User Access	Max. 10 Users (includes 2 internal)
Application Programming	ONVIF (Profile S, Profile G), GB/T 28181-2011, API, CGI
Alarm	
Alarm Triggers	Network disconnect
Intelligent	Motion detection / Tampering / Guard line / Enter guard area / Exit guard area
Alarm Events	Alarm report / Text overlay / Email notice
Interfaces	
Ethernet	10/100M, RJ45 interface
Audio	1 x Built-in Mic
Environmental	
Operating Temperature	-40°C ~ 60°C / -40°F ~ 140°F
Operating Humidity	10% ~ 95%
Protection level	IP66
Electrical	
Power	12V DC ± 10% / External PoE (Optional)
Power Consumption	Max. 11W
Mechanical	
Weight	1 kg / 2.2lb (Gross Weight)
Dimensions	Ø93.6 x 93.3mm / Ø3.69" x 3.68"

Dimensions Units:mm



IPC2411-HN-PIR

4.0MP HD Network IR Semi Dome Camera



Features

Excellent Image Quality

- 4.0 Megapixel 1/3" progressive scan CMOS Sensor
- High definition and smooth picture, 2592×1520@20fps, 2048×1520@25fps, 1080p@30fps
- H.265 video codec, saves up to 50% bandwidth and storage
- Low illumination, 0.05lux with color picture
- WDR / HLC / 3D noise reduction

Intelligent Functions

- Motion detection / Tampering / Guard line / Enter guard area / Exit guard area

Integrated High Efficiency IR

- Industrial IR LED with long operational lifespan
- 30m IR distance
- Smart IR function

A Variety of Installation Modes

- Supports 90°, 180°, 270° image rotation

Abundant Functions and Features

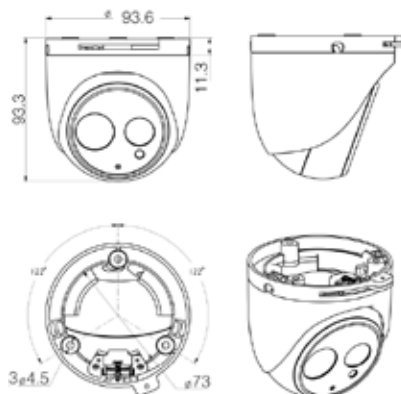
- Micro SD card slot, supports Automatic Network Replenishment (ANR)
- Built-in Mic
- Dual-stream (1080p + D1)
- Anti-fog glass
- PoE
- IP66

Specifications

IPC2411-HN-PIR	
Camera	IPC2411-HN-PIR
Image Sensor	1/3" progressive scan CMOS
Pixels	4.0 Megapixel
Min. Illumination	Color: 0.05lux @ (F1.6, AGC ON)
Shutter Speed	B/W: 0lux with IR
Day / Night	1 ~ 1/30,000s
Wide Dynamic Range	Auto (ICR) / Color / B/W
S/N Ratio	Digital WDR
White Balance	> 50dB
Gain Control	Auto / Manual
Backlight Compensation	Auto / Manual
Lens	Off / WDR / BLC / HLC
Mount Type	M12
Focal Length	2.8mm (-L0280) / 3.6mm (-L0360) / 6mm (-L0600) / 8mm (-L0800)
Angle of View	101.2° (-L0280) / 78.6° (-L0360) / 53.2° (-L0600) / 36.8° (-L0800)
Adjustment Range	Pan: 0° ~ 360° / Tilt: 0° ~ 85° / Rotation: 0° ~ 360°
Infrared	
IR Distance	30m
IR Intensity	Smart IR
Video	
Compression Format	H.265 / H.264 / MJPEG
Image Resolution	Main stream: 2592×1520 Secondary stream: D1
Frame Rate	Main stream: 2592×1520@20fps, 2048×1520@25fps, 1080p@30fps Secondary stream: D1@30fps
Bitrate	64kbps ~ 16Mbps
Bitrate Control	VBR / CBR
Dual-stream	Supported
Caption	Date and time / Alarm / Customized
Privacy Masking	Up to 4 zones
Motion Detection	Up to 4 zones
ROI	Supported
Digital Noise Reduction	3D noise reduction
Digital Defog	Supported
Image Flip	Flip / Mirror / Rotation at 90°, 180°, 270°
Audio	
Compression	G.711a / G.711u / ADPCM / G.722 / AAC-LC / G.722.1c / G.726
Bitrate	32kbps ~ 64kbps
Audio Function	AEC / Dumb
Network	
Network Protocols	TCP/IP, UDP, HTTP, DHCP, DNS/DDNS, RTP/RTCP, RTSP, PPPoE, FTP, VSIP, UPnP, 802.1x, NAT, QoS, SMTP, IPv4, IPv6 (optional)
User Interface	IPC Control (IE, Firefox, Chrome)
Max. User Access	Max. 10 Users (includes 2 internal)
Application Programming	ONVIF (Profile S, Profile G), GB/T 28181-2011, API, CGI
Automatic Network Replenishment (ANR)	Supported
Alarm	
Alarm Triggers	Alarm input / Network disconnect / Disk full / Disk error
Intelligent	Motion detection / Tampering / Guard line / Enter guard area / Exit guard area
Alarm Events	Alarm report / Recording / Text overlay / Snapshot / External output / Email notice / Acoustic alarm
Interfaces	
Ethernet	10/100M, RJ45 interface
Audio In / Out	1 x Built-in Mic
Memory Slot	Micro SD card slot, supports up to 128GB
Environmental	
Operating Temperature	-40°C ~ 60°C / -40°F ~ 140°F
Operating Humidity	10% ~ 95%
Protection level	IK10 (optional), IP66
Electrical	
Power	12V DC ± 10% / PoE (IEEE802.3af)
Power Consumption	Max. 11W
Mechanical	
Weight	1kg / 2.2lb (Gross Weight)
Dimensions	Ø93.6 × 93.3mm / Ø3.69" × 3.68"

Dimensions

Units:mm



IPC2411-HN-SIR

4.0MP HD Network IR Semi Dome Camera



Features

Excellent Image Quality

- 4.0 Megapixel 1/3" progressive scan CMOS sensor
- High definition and smooth picture, 2592×1520@20fps, 2048×1520@25fps, 1080p@30fps
- H.265 video codec, saves up to 50% bandwidth and storage
- Low illumination, 0.05lux with color picture
- WDR / HLC / 3D noise reduction

Intelligent Functions

- Motion detection / Tampering / Guard line / Defocus / Scene change / Enter guard area / Exit guard area / Object left / Object removal / Gathering / Audio surge

Integrated High Efficiency IR

- Industrial IR LED with long operational lifespan
- 30m IR distance
- Smart IR function

A Variety of Installation Modes

- Supports 90°, 180°, 270° image rotation

Abundant Functions and Features

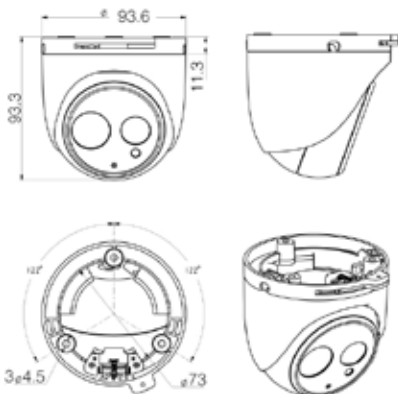
- Micro SD card slot, supports Automatic Network Replenishment (ANR)
- Bi-directional audio / Built-in Mic / alarm in and out / video out / RS485
- 2 channel audio input simultaneously
- Dual-stream (2592×1520 + D1)
- Anti-fog glass
- PoE
- IP66

Specifications

IPC2411-HN-SIR	
Camera	IPC2411-HN-SIR
Image Sensor	1/3" progressive scan CMOS
Pixels	4.0 Megapixel
Min. Illumination	Color: 0.05lux @ (F1.6, AGC ON) B/W: 0lux with IR
Shutter Speed	1 ~ 1/30,000s
Day / Night	Auto (ICR) / Color / B/W
Wide Dynamic Range	Digital WDR
S/N Ratio	>50dB
White Balance	Auto / Manual
Gain Control	Auto / Manual
Backlight Compensation	Off / WDR / BLC / HLC
Lens	
Mount Type	M12
Focal Length	2.8mm (-L0280) / 3.6mm (-L0360) / 6mm (-L0600) / 8mm (-L0800)
Angle of View	101.2° (-L0280) / 78.6° (-L0360) / 53.2° (-L0600) / 36.8° (-L0800)
Adjustment Range	Pan: 0° ~ 360° / Tilt: 0° ~ 85° / Rotation: 0° ~ 360°
Infrared	
IR Distance	30m
IR Intensity	Smart IR
Video	
Compression	H.265 / H.264 / MJPEG
Image Resolution	Main stream: 2592×1520 Secondary stream: D1
Frame Rate	Main stream: 2592×1520@20fps, 2048×1520@25fps, 1080p@30fps Secondary stream: D1@30fps
Bitrate	64kbps ~ 16Mbps
Bitrate Control	VBR / CBR
Dual-stream	Supported
Caption	Date and time / Alarm / Customized
Privacy Masking	Up to 4 zones
Motion Detection	Up to 4 zones
ROI	Supported
Digital Noise Reduction	3D noise reduction
Digital Defog	Supported
Image Flip	Flip / Mirror / Rotation 90°, 180°, 270°
Audio	
Compression	G.711a / G.711u / ADPCM / G.722 / AAC-LC
Bitrate	32kbps ~ 64kbps
Audio Function	Bi-directional audio / AEC / Mixed audio recording / Dumb / Mute
Network	
Network Protocols	TCP/IP, UDP, HTTP, DHCP, DNS/DDNS, RTP/RTCP, RTSP, PPPoE, FTP, VSIP, UPnP, 802.1x, NAT, QoS, SMTP, IPv4, IPv6 (optional)
User Interface	IPC Control (IE, Firefox, Chrome)
Max. User Access	Max. 10 Users (includes 2 internal)
Application Programming	ONVIF (Profile S, Profile G), GB/T 28181-2011, API, CGI
Automatic Network Replenishment (ANR)	Supported
Alarm	
Alarm Triggers	Alarm input / Network disconnect / Disk full / Disk error
Intelligent	Motion detection / Tampering / Guard line / Defocus / Scene change / Enter guard area / Exit guard area / Object left / Object removal / Gathering / Audio surge
Alarm Events	Alarm report / Recording / Text overlay / Snapshot / External output / Email notice / Acoustic alarm
Interfaces	
Ethernet	10/100M, RJ45 interface
Audio In / Out	2 x Line in / 1 x Line out / 1 x Built-in Mic
Control	1 x RS485
Alarm In / Out	1 x Input / 1 x Output
Video Out	1 x BNC, 1.0V [p-p] / 75Ω
Memory Slot	Micro SD card slot, supports up to 128GB
Environmental	
Operating Temperature	-40°C ~ 60°C / -40°F ~ 140°F
Operating Humidity	10% ~ 95%
Protection level	IK10 (optional), IP66
Electrical	
Power	12V DC ± 10% / PoE (IEEE802.3af)
Power Consumption	Max. 11W
Mechanical	
Weight	1 kg / 2.2lb (Gross Weight)
Dimensions	Φ93.6 × 93.3mm / Φ3.69" × 3.68"

Dimensions

Units:mm



IPC2241-FN/FNW-PIR

2.0MP Starlight & Ultra WDR HD Network Mini IR Semi Dome



Features

Excellent Image Quality

- 2.0 Megapixel 1/2.8" progressive scan CMOS sensor
- High definition and smooth picture, 1080p@30fps
- H.265 video codec, saves up to 50% bandwidth and storage
- Ultra low illumination, 0.002lux with color picture
- 120dB Ultra WDR
- 3D noise reduction / Auto Iris / HLC

Intelligent Functions

- Motion detection / Tampering / Guard line / Enter guard area / Exit guard area

Integrated High Efficiency IR

- Industrial IR LED with long operational lifespan
- 15m IR distance
- Smart IR function

A Variety of Installation Modes

- Supports 90°, 180°, 270° image rotation

Abundant Functions and Features

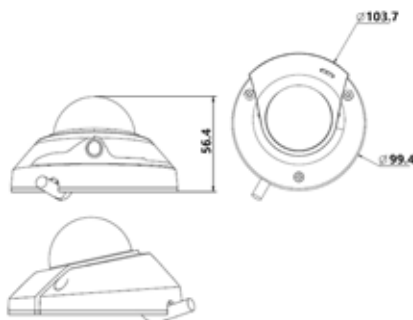
- Micro SD card slot, supports Automatic Network Replenishment (ANR)
- Built-in Mic
- Wi-Fi supported (-FNW only)
- Dual-stream (1080p + D1)
- Anti-fog glass
- EN50155
- PoE
- IK10
- IP67

Specifications

	IPC2241-FN-PIR	IPC2241-FNW-PIR
Camera		
Image Sensor	1/2.8" progressive scan CMOS	
Pixels	2.0 Megapixel	
Min. Illumination	Color: 0.002lux @ (F2.0, AGC ON) B/W: 0.0002lux @ (F2.0, AGC ON)	
Shutter Speed	1 ~ 1/30,000s	
Day / Night	Auto (ICR) / Color / B/W	
Wide Dynamic Range	Ultra WDR, >=120dB	
S/N Ratio	>58dB	
White Balance	Auto / Manual	
Gain Control	Auto / Manual	
Backlight Compensation	Off / WDR / BLC / HLC	
Lens		
Mount Type	M12	
Focal Length	2.8mm (-L0280) / 3.6mm (-L0360) / 6mm (-L0600) / 8mm (-L0800)	
Angle of View	101.2° (-L0280) / 78.6° (-L0360) / 53.2° (-L0600) / 36.8° (-L0800)	
Adjustment Range	Pan: -45° ~ 45° / Tilt: 0° ~ 90° / Rotation: 0° ~ 360°	
Infrared		
IR Distance	15m	
IR Intensity	Smart IR	
Video		
Compression	H.265 / H.264 / MJPEG	
Image Resolution	Main stream: 1080p Secondary stream: D1	
Frame Rate	Main stream: 1080p@30fps Secondary stream: D1@30fps	
Bitrate	32kbps ~ 8Mbps	
Bitrate Control	VBR / CBR	
Dual-stream	Supported	
Caption	Date and time / Alarm / Customized	
Privacy Masking	Up to 4 zones	
Motion Detection	Up to 4 zones	
ROI	Supported	
Digital Noise Reduction	3D noise reduction	
Digital Defog	Supported	
Image Flip	Flip / Mirror / Rotation 90°, 180°, 270°	
Audio		
Compression	G.711a / G.711u / ADPCM / G.722 / AAC-LC	
Bitrate	32kbps ~ 64kbps	
Audio Function	Bi-directional audio / AEC / Mixed audio recording / Dumb / Mute	
Network		
Network Protocols	TCP/IP, UDP, HTTP, DHCP, DNS/DDNS, RTP/RTCP, RTSP, PPPoE, FTP, VSIP, UPnP, 802.1x, NAT, QoS, SMTP, IPv4, IPv6 (optional)	
User Interface	IPC Control (IE, Firefox, Chrome)	
Max. User Access	Max. 10 Users (includes 2 internal)	
Wireless	/	Wi-Fi
Wi-Fi	/	802.11b/g/n 2.4G, Wi-Fi AP
Application Programming	ONVIF (Profile S, Profile G), GB/T 28181-2011, API, CGI	
Automatic Network Replenishment (ANR)	Supported	
Alarm		
Alarm Triggers	Network disconnect / Disk full / Disk error	
Intelligent	Motion detection / Tampering / Guard line / Enter guard area / Exit guard area	
Alarm Events	Alarm report / Recording / Text overlay / Snapshot / Email notice	
Interfaces		
Ethernet	10/100M, RJ45 interface	
Wi-Fi	/	Built-in Wi-Fi module
Memory Slot	Micro SD card slot, supports up to 256GB	
Environmental		
Operating Temperature	-40°C ~ 70°C / -40°F ~ 158°F	
Operating Humidity	10% ~ 95%	
Protection level	IK10, IP67, EN50155	
Electrical		
Power	12V DC ± 25% / PoE (IEEE802.3af)	
Power Consumption	Max. 8W	
Mechanical		
Weight	0.5 kg / 1.1lb (Gross Weight)	
Dimensions	Φ103.7 × 56.4mm / Φ4.08" × 2.22"	

Dimensions

Units:mm



IPC2241-FN/FNW-SIR

2.0MP Starlight & Ultra WDR HD Network Mini IR Semi Dome



Features

Excellent Image Quality

- 2.0 Megapixel 1/2.8" progressive scan CMOS sensor
- High definition and smooth picture, 1080p@30fps
- H.265 video codec, saves up to 50% bandwidth and storage
- Ultra low illumination, 0.002lux with color picture
- 120dB Ultra WDR
- 3D noise reduction / Auto Iris / HLC

Intelligent Functions

- Motion detection / Tampering / Guard line / Defocus / Scene change / Enter guard area / Exit guard area / Object left / Object removal / Gathering / Audio surge

Integrated High Efficiency IR

- Industrial IR LED with long operational lifespan
- 15m IR distance
- Smart IR function

A Variety of Installation Modes

- Supports 90°, 180°, 270° image rotation

Abundant Functions and Features

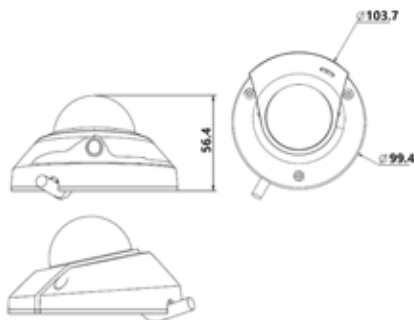
- Micro SD card slot, supports Automatic Network Replenishment (ANR)
- Bi-directional audio / Built-in Mic / alarm in and out / video out / RS485
- Wi-Fi supported (-FNW only)
- Dual-stream (1080p + D1)
- Anti-fog glass
- EN50155
- PoE
- IK10
- IP67

Specifications

	IPC2241-FN-SIR	IPC2241-FNW-SIR
Camera		
Image Sensor	1/2.8" progressive scan CMOS	
Pixels	2.0 Megapixel	
Min. Illumination	Color: 0.002lux @ (F2.0, AGC ON) B/W: 0.0002lux @ (F2.0, AGC ON)	
Shutter Speed	1 ~ 1/30,000s	
Day / Night	Auto (ICR) / Color / B/W	
Wide Dynamic Range	Ultra WDR, >=120dB	
S/N Ratio	>58dB	
White Balance	Auto / Manual	
Gain Control	Auto / Manual	
Backlight Compensation	Off / WDR / BLC / HLC	
Lens		
Mount Type	M12	
Focal Length	2.8mm (-L0280) / 3.6mm (-L0360) / 6mm (-L0600) / 8mm (-L0800)	
Angle of View	101.2° (-L0280) / 78.6° (-L0360) / 53.2° (-L0600) / 36.8° (-L0800)	
Adjustment Range	Pan: -45° ~ 45° / Tilt: 0° ~ 90° / Rotation: 0° ~ 360°	
Infrared		
IR Distance	15m	
IR Intensity	Smart IR	
Video		
Compression	H.265 / H.264 / MJPEG	
Image Resolution	Main stream: 1080p Secondary stream: D1	
Frame Rate	Main stream: 1080p@30fps Secondary stream: D1@30fps	
Bitrate	32kbps ~ 8Mbps	
Bitrate Control	VBR / CBR	
Dual-stream	Supported	
Caption	Date and time / Alarm / Customized	
Privacy Masking	Up to 4 zones	
Motion Detection	Up to 4 zones	
ROI	Supported	
Digital Noise Reduction	3D noise reduction	
Digital Defog	Supported	
Image Flip	Flip / Mirror / Rotation 90°, 180°, 270°	
Audio		
Compression	G.711a / G.711u / ADPCM / G.722 / AAC-LC	
Bitrate	32kbps ~ 64kbps	
Audio Function	Bi-directional audio / AEC / Mixed audio recording / Dumb / Mute	
Network		
Network Protocols	TCP/IP, UDP, HTTP, DHCP, DNS/DDNS, RTP/RTCP, RTSP, PPPoE, FTP, VSIP, UPnP, 802.1x, NAT, QoS, SMTP, IPv4, IPv6 (optional)	
User Interface	IPC Control (IE, Firefox, Chrome)	
Max. User Access	Max. 10 Users (includes 2 internal)	
Wireless	/	Wi-Fi
Wi-Fi	/	802.11b/g/n 2.4G, Wi-Fi AP
Application Programming	ONVIF (Profile S, Profile G), GB/T 28181-2011, API, CGI	
Automatic Network Replenishment (ANR)	Supported	
Alarm		
Alarm Triggers	Alarm input / Network disconnect / Disk full / Disk error Motion detection / Tampering / Guard line / Defocus / Scene change / Enter guard area / Exit guard area / Object left / Object removal / Gathering / Audio surge	
Intelligent	Alarm report / Recording / Text overlay / Snapshot / External output / Email notice / Acoustic alarm	
Alarm Events		
Interfaces		
Ethernet	10/100M, RJ45 interface	
Wi-Fi	/	Built-in Wi-Fi module
Audio In / Out	1 x Line in / 1 x Line out / 1 x Built-in Mic	
Control	1 x RS485	
Alarm In / Out	2 x Input / 1 x Output	
Video Out	1 x BNC, 1.0V [p-p] / 75Ω	
Memory Slot	Micro SD card slot, supports up to 256GB	
Environmental		
Operating Temperature	-40°C ~ 70°C / -40°F ~ 158°F	
Operating Humidity	10% ~ 95%	
Protection level	IK10, IP67, EN50155	
Electrical		
Power	12V DC ± 25% / PoE (IEEE802.3af)	
Power Consumption	Max. 8W	
Mechanical		
Weight	0.5 kg / 1.1lb (Gross Weight)	
Dimensions	Φ103.7 × 56.4mm / Φ4.08" × 2.22"	

Dimensions

Units:mm



IPC2233-FN-S

2.0MP Starlight & Ultra WDR HD Network Vandal-Proof Varifocal Semi Dome



Features

Excellent Image Quality

- 2.0 Megapixel 1/2.8" progressive scan CMOS sensor
- High definition and smooth picture, 1080p@30fps
- H.265 video codec, saves up to 50% bandwidth and storage
- Ultra low illumination, 0.002lux with color picture
- 120dB Ultra WDR
- 3D noise reduction / HLC

Intelligent Functions

- Motion detection / Tampering / Guard line / Defocus / Scene change / Enter guard area / Exit guard area / Object left / Object removal / Gathering / Audio surge

Vandal-Proof

- Above IK10 @ 50J collision energy

A Variety of Installation Modes

- Supports 90°, 180°, 270° image rotation

Abundant Functions and Features

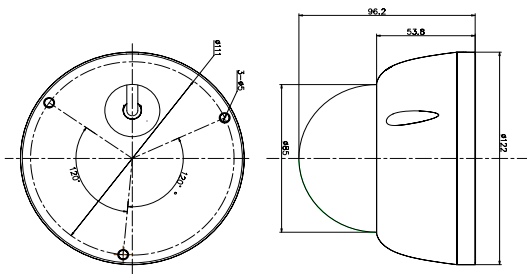
- Micro SD card slot, supports Automatic Network Replenishment (ANR)
- Bi-directional audio / alarm in and out / video out / RS485
- 2 channel audio input simultaneously
- Up to 3 Multi-stream
- PoE
- IP67

Specifications

	IPC2233-FN-S
Camera	
Image Sensor	1/2.8" progressive scan CMOS
Pixels	2.0 Megapixel
Min. Illumination	Color: 0.002lux @ (F1.8, AGC ON) B/W: 0.0002lux @ (F1.8, AGC ON)
Shutter Speed	1 ~ 1/30,000s
Day / Night	Auto (ICR) / Color / B/W
Wide Dynamic Range	Ultra WDR, >=120dB
S/N Ratio	>50dB
White Balance	Auto / Manual
Gain Control	Auto / Manual
Backlight Compensation	Off / BLC / WDR / HLC
Lens	
Mount Type	M12
Focal Length	2.1mm (-L0210)
Angle of View	132° (-L0210)
Adjustment Range	Pan: -120° ~ +120° / Tilt: 0° ~ 65° / Rotation: -90° ~ +90°
Video	
Compression	H.265 / H.264 / MJPEG
Image Resolution	Main stream: 1080p Secondary stream: D1
Frame Rate	Main stream: 1080p@30fps Secondary stream: D1@30fps
Bitrate	32kbps ~ 16Mbps
Bitrate Control	VBR / CBR
Multi-stream	Supported
Caption	Date and time / Alarm / Customized
Privacy Masking	Up to 4 zones
Motion Detection	Up to 4 zones
Video Freeze	Supported
ROI	Supported
Digital Noise Reduction	3D noise reduction
Digital Defog	Supported
Image Flip	Flip / Mirror / Rotation at 90°, 180°, 270°
Audio	
Compression	G.711a / G.711u / ADPCM / G.722 / AAC-LC / G.722.1c / G.726
Bitrate	32kbps ~ 64kbps
Audio Function	Bi-directional audio / AEC / Mixed audio recording / Dumb / Mute
Network	
Network Protocols	TCP/IP, UDP, HTTP, DHCP, DNS/DDNS, RTP/RTCP, RTSP, PPPoE, FTP, VSIP, UPnP, 802.1x, NAT, QoS, SMTP, IPv4, IPv6 (optional)
User Interface	IPC Control (IE, Firefox, Chrome)
Max. User Access	Max. 10 Users (includes 2 internal)
Application Programming	ONVIF (Profile S, Profile G), GB/T 28181-2011, API, CGI
Automatic Network Replenishment (ANR)	Supported
Alarm	
Alarm Triggers	Alarm input / Network disconnect / Disk full / Disk error
Intelligent	Motion detection / Tampering / Guard line / Defocus / Scene change / Enter guard area / Exit guard area / Object left / Object removal / Gathering / Audio surge
Alarm Events	Alarm report / Recording / Text overlay / Snapshot / External output / Email notice / Acoustic alarm
Interfaces	
Ethernet	10/100M, RJ45 interface
Audio In / Out	2 x Line in / 1 x Line out
Control	1 x RS485
Alarm In / Out	1 x Input / 1 x Output
Video Out	1 x BNC, 1.0V [p-p] / 75Ω
Memory Slot	Micro SD card slot, supports up to 128GB
Environmental	
Operating Temperature	-40°C ~ 70°C / -40°F ~ 158°F
Operating Humidity	10% ~ 95%
Protection Level	IK10+ @50J, IP67
Electrical	
Power	DC12V ± 10%
Power Consumption	Max. 11W
Mechanical	
Weight	0.71 kg / 1.57lb (Gross Weight)
Dimensions	Φ122x 96.13mm / Φ4.8" x 3.78"

Dimensions

Units:mm



IPC2233-FN-PIR40

2.0MP Starlight & Ultra WDR HD Network Vandal-Proof Varifocal IR Semi Dome



Features

Excellent Image Quality

- 2.0 Megapixel 1/2.8" progressive scan CMOS sensor
- High definition and smooth picture, 1080p@30fps
- H.265 video codec, saves up to 50% bandwidth and storage
- Ultra low illumination, 0.002lux with color picture
- 120dB Ultra WDR
- 3D noise reduction / Auto Iris / HLC

Intelligent Functions

- Motion detection / Tampering / Guard line / Enter guard area / Exit guard area

Vandal-Proof

- Above IK10 @ 50J collision energy

Integrated High Efficiency IR

- Industrial IR LED with long operational lifespan
- 20 ~ 40m IR distance
- Smart IR function

A Variety of Installation Modes

- Supports 90°, 180°, 270° image rotation
- Motorized varifocal lens

Abundant Functions and Features

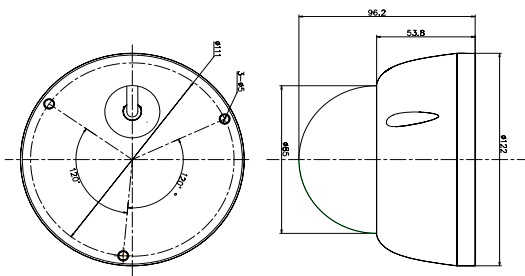
- Micro SD card slot, supports Automatic Network Replenishment (ANR)
- Up to 3 Multi-stream
- PoE
- IP67

Specifications

	IPC2233-FN-PIR40
Camera	
Image Sensor	1/2.8" progressive scan CMOS
Pixels	2.0 Megapixel
Min. Illumination	Color: 0.002lux@ (F1.6, AGC ON) B/W: 0.0002lux@ (F1.6, AGC ON); 0lux with IR
Shutter Speed	1 ~ 1/30,000s
Day / Night	Auto (ICR) / Color / B/W
Wide Dynamic Range	Ultra WDR, >=120dB
S/N Ratio	>50dB
White Balance	Auto / Manual
Gain Control	Auto / Manual
Backlight Compensation	Off / BLC / WDR / HLC
Lens	
Mount Type	Φ14
Auto Iris	DC drive
Focal Length	-Z2712: 2.7~12mm @ F1.6 motorized varifocal lens
Focus Control	Manual / Semi-Automatic / Auto
Angle of View	-Z2712: 106° ~ 33°
Adjustment Range	Pan: -120° ~ +120° / Tilt: 0° ~ 65° / Rotation: -90° ~ +90°
Infrared	
IR Distance	20 ~ 40m
IR Intensity	Smart IR
Video	
Compression	H.265 / H.264 / MJPEG
Image Resolution	Main stream: 1080p Secondary stream: D1 (1080p optional)
Frame Rate	Main stream: 1080p@30fps Secondary stream: D1@30fps (1080@12fps (optional))
Bitrate	32kbps ~ 16Mbps
Bitrate Control	VBR / CBR
Multi-stream	Supported
Caption	Date and time / Alarm / Customized
Privacy Masking	Up to 4 zones
Motion Detection	Up to 4 zones
Video Freeze	Supported
ROI	Supported
Digital Noise Reduction	3D noise reduction
Digital Defog	Supported
Image Flip	Flip / Mirror / Rotation at 90°, 180°, 270°
Network	
Network Protocols	TCP/IP, UDP, HTTP, DHCP, DNS/DDNS, RTP/RTCP, RTSP, PPPoE, FTP, VSIP, UPnP, 802.1x, NAT, QoS, SMTP, IPv4, IPv6 (optional)
User Interface	IPC Control (IE, Firefox, Chrome)
Max. User Access	Max. 10 Users (includes 2 internal)
Application Programming	ONVIF (Profile S, Profile G), GB/T 28181-2011, API, CGI
Automatic Network Replenishment (ANR)	Supported
Alarm	
Alarm Triggers	Network disconnect / Disk full / Disk error
Intelligent	Motion detection / Tampering / Guard line / Enter guard area / Exit guard area
Alarm Events	Alarm report / Recording / Text overlay / Snapshot / Email notice
Interfaces	
Ethernet	10/100M, RJ45 interface
Memory Slot	Micro SD card slot, supports up to 128GB
Environmental	
Operating Temperature	-40°C ~ 70°C / -40°F ~ 158°F
Operating Humidity	10% ~ 95%
Protection Level	IK10+ @50J, IP67
Electrical	
Power	DC12V ± 10% / PoE (IEEE802.3af)
Power Consumption	Max. 11W
Mechanical	
Weight	0.71 kg / 1.57lb (Gross Weight)
Dimensions	Φ122× 96.13mm / Φ4.8" x 3.78"

Dimensions

Units:mm



IPC2233-FN-SIR40

2.0MP Starlight & Ultra WDR HD Network Vandal-Proof Varifocal IR Semi Dome



Features

Excellent Image Quality

- 2.0 Megapixel 1/2.8" progressive scan CMOS sensor
- High definition and smooth picture, 1080p@30fps
- H.265 video codec, saves up to 50% bandwidth and storage
- Ultra low illumination, 0.002lux with color picture
- 120dB Ultra WDR
- 3D noise reduction / Auto Iris / HLC

Intelligent Functions

- Motion detection / Tampering / Guard line / Defocus / Scene change / Enter guard area / Exit guard area / Object left / Object removal / Gathering / Audio surge

Vandal-Proof

- Above IK10 @ 50J collision energy

Integrated High Efficiency IR

- Industrial IR LED with long operational lifespan
- 20 ~ 40m IR distance
- Smart IR function

A Variety of Installation Modes

- Supports 90°, 180°, 270° image rotation
- Motorized varifocal lens

Abundant Functions and Features

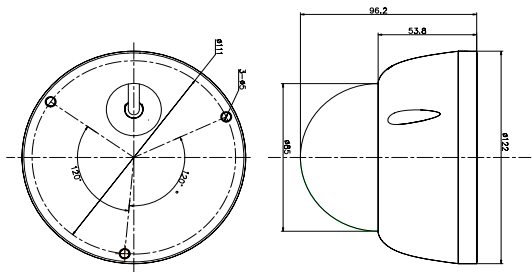
- Micro SD card slot, supports Automatic Network Replenishment (ANR)
- Bi-directional audio / alarm in and out / video out / RS485
- 2 channel audio input simultaneously
- Up to 3 Multi-stream
- PoE
- IP67

Specifications

	IPC2233-FN-SIR40
Camera	
Image Sensor	1/2.8" progressive scan CMOS
Pixels	2.0 Megapixel
Min. Illumination	Color: 0.002lux@ (F1.6, AGC ON) B/W: 0.0002lux@ (F1.6, AGC ON); 0lux with IR
Shutter Speed	1 ~ 1/30,000s
Day / Night	Auto (ICR) / Color / B/W
Wide Dynamic Range	Ultra WDR, >=120dB
S/N Ratio	>50dB
White Balance	Auto / Manual
Gain Control	Auto / Manual
Backlight Compensation	Off / BLC / WDR / HLC
Lens	
Mount Type	Ø14
Auto Iris	DC drive
Focal Length	-Z2712: 2.7~12mm @ F1.6 motorized varifocal lens
Focus Control	Manual / Semi-Automatic / Auto
Angle of View	-Z2712: 106° ~ 33°
Adjustment Range	Pan: -120° ~ +120° / Tilt: 0° ~ 65° / Rotation: -90° ~ +90°
Infrared	
IR Distance	20 ~ 40m
IR Intensity	Smart IR
Video	
Compression	H.265 / H.264 / MJPEG
Image Resolution	Main stream: 1080p Secondary stream: D1
Frame Rate	Main stream: 1080p@30fps Secondary stream: D1@30fps
Bitrate	32kbps ~ 16Mbps
Bitrate Control	VBR / CBR
Multi-stream	Supported
Caption	Date and time / Alarm / Customized
Privacy Masking	Up to 4 zones
Motion Detection	Up to 4 zones
Video Freeze	Supported
ROI	Supported
Digital Noise Reduction	3D noise reduction
Digital Defog	Supported
Image Flip	Flip / Mirror / Rotation at 90°, 180°, 270°
Audio	
Compression	G.711a / G.711u / ADPCM / G.722 / AAC-LC / G.722.1c / G.726
Bitrate	32kbps ~ 64kbps
Audio Function	Bi-directional audio / AEC / Mixed audio recording / Dumb / Mute
Network	
Network Protocols	TCP/IP, UDP, HTTP, DHCP, DNS/DDNS, RTP/RTCP, RTSP, PPPoE, FTP, VSIP, UPnP, 802.1x, NAT, QoS, SMTP, IPv4, IPv6 (optional)
User Interface	IPC Control (IE, Firefox, Chrome)
Max. User Access	Max. 10 Users (includes 2 internal)
Application Programming	ONVIF (Profile S, Profile G), GB/T 28181-2011, API, CGI
Automatic Network Replenishment (ANR)	Supported
Alarm	
Alarm Triggers	Alarm input / Network disconnect / Disk full / Disk error
Intelligent	Motion detection / Tampering / Guard line / Defocus / Scene change / Enter guard area / Exit guard area / Object left / Object removal / Gathering / Audio surge
Alarm Events	Alarm report / Recording / Text overlay / Snapshot / External output / Email notice / Acoustic alarm
Interfaces	
Ethernet	i10/100M, RJ45 interface
Audio In / Out	2 x Line in / 1 x Line out
Control	1 x RS485
Alarm In / Out	1 x Input / 1 x Output
Video Out	1 x BNC, 1.0V [p-p] / 75Ω
Memory Slot	Micro SD card slot, supports up to 128GB
Environmental	
Operating Temperature	-40°C ~ 70°C / -40°F ~ 158°F
Operating Humidity	10% ~ 95%
Protection Level	IK10+ @50J, IP67
Electrical	
Power	DC12V ± 10% / PoE (IEEE802.3af)
Power Consumption	Max. 11W
Mechanical	
Weight	0.71 kg / 1.57lb (Gross Weight)
Dimensions	Ø122x 96.13mm / Ø4.8" x 3.78"

Dimensions

Units:mm



IPC2433-HN-PIR40

4.0MP HD Network Vandal-Proof Varifocal IR Semi Dome



Features

Excellent Image Quality

- 4.0 Megapixel 1/3.0" progressive scan CMOS sensor
- High definition and smooth picture, 2592x1520@20fps
- H.265 video codec, saves up to 50% bandwidth and storage
- Low illumination, 0.05lux with color picture
- WDR / 3D noise reduction / Auto Iris / HLC

Intelligent Functions

- Motion detection / Tampering / Guard line / Enter guard area / Exit guard area

Vandal-Proof

- Above IK10 @ 50J collision energy

Integrated High Efficiency IR

- Industrial IR LED with long operational lifespan
- 20 ~ 40m IR distance
- Smart IR function

A Variety of Installation Modes

- Supports 90°, 180°, 270° image rotation
- Motorized varifocal lens

Abundant Functions and Features

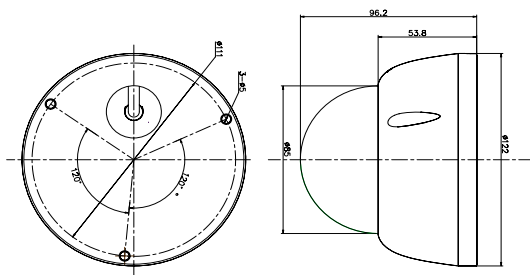
- Micro SD card slot, supports Automatic Network Replenishment (ANR)
- Up to 3 Multi-stream
- PoE
- IP67

Specifications

	IPC2433-HN-PIR40
Camera	
Image Sensor	1/3" progressive scan CMOS
Pixels	4.0 Megapixel
Min. Illumination	Color: 0.05lux@ (F1.6, AGC ON) B/W: 0lux with IR
Shutter Speed	1 ~ 1/30,000s
Day / Night	Auto (ICR) / Color / B/W
Wide Dynamic Range	Digital WDR
S/N Ratio	> 50dB
White Balance	Auto / Manual
Gain Control	Auto / Manual
Backlight Compensation	Off / BLC / WDR / HLC
Lens	
Mount Type	Φ14
Auto Iris	DC drive
Focal Length	-Z2712: 2.7~12mm @ F1.6 motorized varifocal lens
Focus Control	Manual / Semi-Automatic / Auto
Angle of View	-Z2712: 106° ~ 33°
Adjustment Range	Pan: -120° ~ +120° / Tilt: 0° ~ 65° / Rotation: -90° ~ +90°
Infrared	
IR Distance	20 ~ 40m
IR Intensity	Smart IR
Video	
Compression	H.265 / H.264 / MJPEG
Image Resolution	Main stream: 2592x1520 Secondary stream: D1
Frame Rate	Main stream: 2592x1520@20fps, 2048x1520@25fps, 1080p@30fps Secondary stream: D1@30fps
Bitrate	32kbps ~ 16Mbps
Bitrate Control	VBR / CBR
Multi-stream	Supported
Caption	Date and time / Alarm / Customized
Privacy Masking	Up to 4 zones
Motion Detection	Up to 4 zones
Video Freeze	Supported
ROI	Supported
Digital Noise Reduction	3D noise reduction
Digital Defog	Supported
Image Flip	Flip / Mirror / Rotation at 90°, 180°, 270°
Network	
Network Protocols	TCP/IP, UDP, HTTP, DHCP, DNS/DDNS, RTP/RTCP, RTSP, PPPoE, FTP, VSIP, UPnP, 802.1x, NAT, QoS, SMTP, IPv4, IPv6 (optional)
User Interface	IPC Control (IE, Firefox, Chrome)
Max. User Access	Max. 10 Users (includes 2 internal)
Application Programming	ONVIF (Profile S, Profile G), GB/T 28181-2011, API, CGI
Automatic Network Replenishment (ANR)	Supported
Alarm	
Alarm Triggers	Network disconnect / Disk full / Disk error
Intelligent	Motion detection / Tampering / Guard line / Enter guard area / Exit guard area
Alarm Events	Alarm report / Recording / Text overlay / Snapshot / Email notice
Interfaces	
Ethernet	10/100M, RJ45 interface
Memory Slot	Micro SD card slot, supports up to 128GB
Environmental	
Operating Temperature	-40°C ~ 70°C / -40°F ~ 158°F
Operating Humidity	10% ~ 95%
Protection Level	IK10+ @50J, IP67
Electrical	
Power	DC12V ± 10% / PoE (IEEE802.3af)
Power Consumption	Max. 11W
Mechanical	
Weight	0.71 kg / 1.57lb (Gross Weight)
Dimensions	Φ122x 96.13mm / Φ4.8" x 3.78"

Dimensions

Units:mm



IPC2433-HN-SIR40

4.0MP HD Network Vandal-Proof Varifocal IR Semi Dome



Features

Excellent Image Quality

- 4.0 Megapixel 1/3.0" progressive scan CMOS sensor
- High definition and smooth picture, 2592x1520@20fps
- H.265 video codec, saves up to 50% bandwidth and storage
- Low illumination, 0.05lux with color picture
- WDR / 3D noise reduction / Auto Iris / HLC

Intelligent Functions

- Motion detection / Tampering / Guard line / Defocus / Scene change / Enter guard area / Exit guard area / Object left / Object removal / Gathering / Audio surge

Vandal-Proof

- Above IK10 @ 50J collision energy

Integrated High Efficiency IR

- Industrial IR LED with long operational lifespan
- 20 ~ 40m IR distance
- Smart IR function

A Variety of Installation Modes

- Supports 90°, 180°, 270° image rotation
- Motorized varifocal lens

Abundant Functions and Features

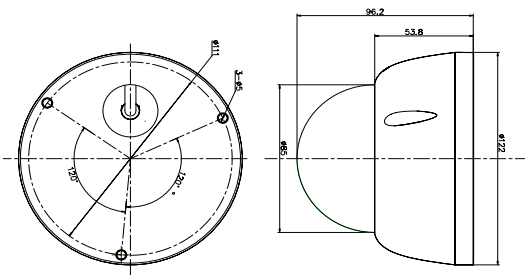
- Micro SD card slot, supports Automatic Network Replenishment (ANR)
- Bi-directional audio / alarm in and out / video out / RS485
- 2 channel audio input simultaneously
- Up to 3 Multi-stream
- PoE
- IP67

Specifications

	IPC2433-HN-SIR40
Camera	
Image Sensor	1/3" progressive scan CMOS
Pixels	4.0 Megapixel
Min. Illumination	Color: 0.05lux@ (F1.6, AGC ON) B/W: 0lux with IR
Shutter Speed	1 ~ 1/30,000s
Day / Night	Auto (ICR) / Color / B/W
Wide Dynamic Range	Digital WDR
S/N Ratio	>50dB
White Balance	Auto / Manual
Gain Control	Auto / Manual
Backlight Compensation	Off / BLC / WDR / HLC
Lens	
Mount Type	Φ14
Auto Iris	DC drive
Focal Length	-Z2712: 2.7~12mm @ F1.6 motorized varifocal lens
Focus Control	Manual / Semi-Automatic / Auto
Angle of View	-Z2712: 106° ~ 33°
Adjustment Range	Pan: -120° ~ +120° / Tilt: 0° ~ 65° / Rotation: -90° ~ +90°
Infrared	
IR Distance	20 ~ 40m
IR Intensity	Smart IR
Video	
Compression	H.265 / H.264 / MJPEG
Image Resolution	Main stream: 2592x1520 Secondary stream: D1
Frame Rate	Main stream: 2592x1520@20fps, 2048x1520@25fps, 1080p@30fps Secondary stream: D1@30fps
Bitrate	32kbps ~ 16Mbps
Bitrate Control	VBR / CBR
Multi-stream	Supported
Caption	Date and time / Alarm / Customized
Privacy Masking	Up to 4 zones
Motion Detection	Up to 4 zones
Video Freeze	Supported
ROI	Supported
Digital Noise Reduction	3D noise reduction
Digital Defog	Supported
Image Flip	Flip / Mirror / Rotation at 90°, 180°, 270°
Audio	
Compression	G.711a / G.711u / ADPCM / G.722 / AAC-LC / G.722.1c / G.726
Bitrate	32kbps ~ 64kbps
Audio Function	Bi-directional audio / AEC / Mixed audio recording / Dumb / Mute
Network	
Network Protocols	TCP/IP, UDP, HTTP, DHCP, DNS/DDNS, RTP/RTCP, RTSP, PPPoE, FTP, VSIP, UPnP, 802.1x, NAT, QoS, SMTP, IPv4, IPv6 (optional)
User Interface	IPC Control (IE, Firefox, Chrome)
Max. User Access	Max. 10 Users (Includes 2 internal)
Application Programming	ONVIF (Profile S, Profile G), GB/T 28181-2011, API, CGI
Automatic Network Replenishment (ANR)	Supported
Alarm	
Alarm Triggers	Alarm input / Network disconnect / Disk full / Disk error
Intelligent	Motion detection / Tampering / Guard line / Defocus / Scene change / Enter guard area / Exit guard area / Object left / Object removal / Gathering / Audio surge
Alarm Events	Alarm report / Recording / Text overlay / Snapshot / External output / Email notice / Acoustic alarm
Interfaces	
Ethernet	10/100M, RJ45 interface
Audio In / Out	2 x Line in / 1 x Line out
Control	1 x RS485
Alarm In / Out	1 x Input / 1 x Output
Video Out	1 x BNC, 1.0V [p-p] / 75Ω
Memory Slot	Micro SD card slot, supports up to 128GB
Environmental	
Operating Temperature	-40°C ~ 70°C / -40°F ~ 158°F
Operating Humidity	10% ~ 95%
Protection Level	IK10+ @50J, IP67
Electrical	
Power	DC12V ± 10% / PoE (IEEE802.3af)
Power Consumption	Max. 11W
Mechanical	
Weight	0.71 kg / 1.57lb (Gross Weight)
Dimensions	Φ122x 96.13mm / Φ4.8" x 3.78"

Dimensions

Units:mm



IPC2231-FN-S

2.0MP HD Network Vandal-Proof Semi Dome Camera



Features

Excellent Image Quality

- 2.0 Megapixel 1/2.8" progressive scan CMOS sensor
- High definition and smooth picture, 1080p@30fps
- H.265 video codec, saves up to 50% bandwidth and storage
- Ultra low illumination, 0.001lux with color picture
- 120dB Ultra WDR
- 3D noise reduction / Auto Iris / HLC

Intelligent Functions

- Motion detection / Tampering / Guard line / Defocus / Scene change / Enter guard area / Exit guard area / Object left / Object removal / Gathering / Audio surge

Vandal-Proof

- Above IK10 @ 50J collision energy

A Variety of Installation Modes

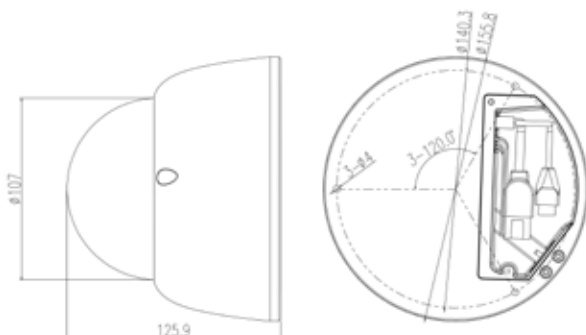
- Supports 90°, 180°, 270° image rotation
- Varifocal AF lens (-Z2812 only)

Abundant Functions and Features

- Micro SD card slot, supports Automatic Network Replenishment (ANR)
- Bi-directional audio / alarm in and out / video out / RS485
- 2 channel audio input simultaneously
- Up to 3 Multi-stream
- PoE / Power output
- IP67

Dimensions

Units:mm



Specifications

	IPC2231-FN-S
Camera	
Image Sensor	1/2.8" progressive scan CMOS
Pixels	2.0 Megapixel
Min. Illumination	Color: 0.001lux @ (F1.4, AGC ON) B/W: 0.0001lux @ (F1.4, AGC ON)
Shutter Speed	1 ~ 1/30,000s
Day / Night	Auto (ICR) / Color / B/W
Wide Dynamic Range	Ultra WDR, >=120dB
S/N Ratio	>52dB
White Balance	Auto / Manual
Gain Control	Auto / Manual
Backlight Compensation	Off / BLC / WDR / HLC
Lens	
Mount Type	-Z2812: Ø14 -L0200 / -L0220: M12
Auto Iris	-Z2812: DC drive -L0200 / -L0220: Fixed
Focal Length	-Z2812: 2.8~12mm @ F1.4 motorized varifocal lens -L0200: 2mm -L0220: 2.2mm
Focus Control	-Z2812: Manual / Semi-Automatic / Auto -L0200 / -L0220: Fixed
Angle of View	-L0200: 151° -L0220: 126° -Z2812: 108° ~ 35°
Adjustment Range	Pan: 0° ~ 355° / Tilt: 0° ~ 75° / Rotation: 0° ~ 355°
Video	
Compression	H.265 / H.264 / MJPEG
Image Resolution	Main stream: 1080p Secondary stream: D1
Frame Rate	Main stream: 1080p@30fps Secondary stream: D1@30fps
Bitrate	32kbps ~ 16Mbps
Bitrate Control	VBR / CBR
Multi-stream	Supported
Caption	Date and time / Alarm / Customized
Privacy Masking	Up to 4 zones
Motion Detection	Up to 4 zones
Video Freeze	Supported
ROI	Supported
Digital Noise Reduction	3D noise reduction
Digital Defog	Supported
Image Flip	Flip / Mirror / Rotation at 90°, 180°, 270°
Audio	
Compression	G.711a / G.711u / ADPCM / G.722 / AAC-LC / G.722.1c / G.726
Bitrate	32kbps ~ 64kbps
Audio Function	Bi-directional audio / AEC / Mixed audio recording / Dumb / Mute
Network	
Network Protocols	TCP/IP, UDP, HTTP, DHCP, DNS/DDNS, RTP/RTCP, RTSP, PPPoE, FTP, VSIP, UPnP, 802.1x, NAT, QoS, SMTP, IPv4, IPv6 (optional)
User Interface	IPC Control (IE, Firefox, Chrome)
Max. User Access	Max. 10 Users (includes 2 internal)
Application Programming	ONVIF (Profile S, Profile G), GB/T 28181-2011, API, CGI
Automatic Network Replenishment (ANR)	Supported
Alarm	
Alarm Triggers	Alarm input / Network disconnect / Disk full / Disk error
Intelligent	Motion detection / Tampering / Guard line / Defocus / Scene change / Enter guard area / Exit guard area / Object left / Object removal / Gathering / Audio surge
Alarm Events	Alarm report / Recording / Text overlay / Snapshot / External output / Email notice / Acoustic alarm
Interfaces	
Ethernet	10/100M, RJ45 interface
Audio In / Out	2 x Line in / 1 x Line out
Control	1 x RS485
Alarm In / Out	1 x Input / 1 x Output
Video Out	1 x BNC, 1.0V [p-p] / 75Ω
Memory Slot	Micro SD card slot, supports up to 128GB
Power Output	1 x DC12V / 0.1A Output
Environmental	
Operating Temperature	-40°C ~ 70°C / -40°F ~ 158°F
Operating Humidity	10% ~ 95%
Protection Level	IK10+ @50J, IP67
Electrical	
Power	AC24V±10% / DC12V ± 10% / PoE (IEEE802.3af)
Power Consumption	Max. 11W
Mechanical	
Weight	1 kg / 2.2lb (Gross Weight)
Dimensions	Ø155.8 × 125.9mm / Ø6.14" × 4.96"

IPC2231-FN-SIR40

2.0MP HD Network Vandal-Proof Varifocal IR Semi Dome Camera



Features

Excellent Image Quality

- 2.0 Megapixel 1/2.8" progressive scan CMOS sensor
- High definition and smooth picture, 1080p@30fps
- H.265 video codec, saves up to 50% bandwidth and storage
- Ultra low illumination, 0.001lux with color picture
- 120dB Ultra WDR
- 3D noise reduction / Auto Iris / HLC

Intelligent Functions

- Motion detection / Tampering / Guard line / Defocus / Scene change / Enter guard area / Exit guard area / Object left / Object removal / Gathering / Audio surge

Vandal-Proof

- Above IK10 @ 50J collision energy

Integrated High Efficiency IR

- Industrial IR LED with long operational lifespan
- 20 ~ 40m IR distance
- Smart IR function

A Variety of Installation Modes

- Supports 90°, 180°, 270° image rotation
- Varifocal AF lens

Abundant Functions and Features

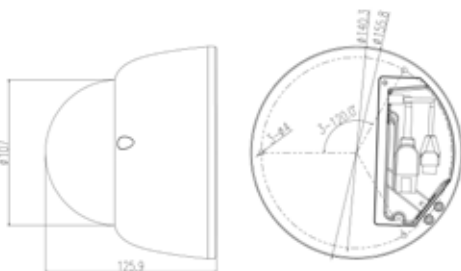
- Micro SD card slot, supports Automatic Network Replenishment (ANR)
- Bi-directional audio / alarm in and out / video out / RS485
- 2 channel audio input simultaneously
- Up to 3 Multi-stream
- PoE / Power output
- IP67

Specifications

	IPC2231-FN-SIR40
Camera	
Image Sensor	1/2.8" progressive scan CMOS
Pixels	2.0 Megapixel
Min. Illumination	Color: 0.001lux @ (F1.4, AGC ON) B/W: 0.0001lux @ (F1.4, AGC ON)
Shutter Speed	1 ~ 1/30,000s
Day / Night	Auto (ICR) / Color / B/W
Wide Dynamic Range	Ultra WDR, >=120dB
S/N Ratio	> 52dB
White Balance	Auto / Manual
Gain Control	Auto / Manual
Backlight Compensation	Off / BLC / WDR / HLC
Lens	
Mount Type	Ø14
Auto Iris	DC drive
Focal Length	-Z2812: 2.8~12mm @ F1.4 motorized varifocal lens
Focus Control	Manual / Semi-Automatic / Auto
Angle of View	-Z2812: 108° ~ 35°
Adjustment Range	Pan: 0° ~ 355° / Tilt: 0° ~ 75° / Rotation: 0° ~ 355°
Infrared	
IR Distance	20 ~ 40m
IR Intensity	Smart IR
Video	
Compression	H.265 / H.264 / MJPEG
Image Resolution	Main stream: 1080p Secondary stream: D1
Frame Rate	Main stream: 1080p@30fps Secondary stream: D1@30fps
Bitrate	32kbps ~ 16Mbps
Bitrate Control	VBR / CBR
Multi-stream	Supported
Caption	Date and time / Alarm / Customized
Privacy Masking	Up to 4 zones
Motion Detection	Up to 4 zones
Video Freeze	Supported
ROI	Supported
Digital Noise Reduction	3D noise reduction
Digital Defog	Supported
Image Flip	Flip / Mirror / Rotation at 90°, 180°, 270°
Audio	
Compression	G.711a / G.711u / ADPCM / G.722 / AAC-LC / G.722.1c / G.726
Bitrate	32kbps ~ 64kbps
Audio Function	Bi-directional audio / AEC / Mixed audio recording / Dumb / Mute
Network	
Network Protocols	TCP/IP, UDP, HTTP, DHCP, DNS/DDNS, RTP/RTCP, RTSP, PPPoE, FTP, VSIP, UPnP, 802.1x, NAT, QoS, SMTP, IPv4, IPv6 (optional)
User Interface	IPC Control (IE, Firefox, Chrome)
Max. User Access	Max. 10 Users (includes 2 internal)
Application Programming	ONVIF (Profile S, Profile G), GB/T 28181-2011, API, CGI
Automatic Network Replenishment (ANR)	Supported
Alarm	
Alarm Triggers	Alarm input / Network disconnect / Disk full / Disk error
Intelligent	Motion detection / Tampering / Guard line / Defocus / Scene change / Enter guard area / Exit guard area / Object left / Object removal / Gathering / Audio surge
Alarm Events	Alarm report / Recording / Text overlay / Snapshot / External output / Email notice / Acoustic alarm
Interfaces	
Ethernet	i10/100M, RJ45 interface
Audio In / Out	2 x Line in / 1 x Line out
Control	1 x RS485
Alarm In / Out	1 x Input / 1 x Output
Video Out	1 x BNC, 1.0V [p-p] / 75Ω
Memory Slot	Micro SD card slot, supports up to 128GB
Power Output	1 x DC12V / 0.1A Output
Environmental	
Operating Temperature	-40°C ~ 70°C / -40°F ~ 158°F
Operating Humidity	10% ~ 95%
Protection Level	IK10+ @50J, IP67
Electrical	
Power	AC24V±10% / DC12V ± 10% / PoE (IEEE802.3af)
Power Consumption	Max. 11W
Mechanical	
Weight	1 kg / 2.2lb (Gross Weight)
Dimensions	Ø155.8 × 125.9mm / Ø6.14" × 4.96"

Dimensions

Units:mm



IPC2431-HN-S

4.0MP Ultra WDR HD Network Vandal-Proof Semi Dome Camera



Features

Excellent Image Quality

- 4.0 Megapixel 1/3" progressive scan CMOS sensor
- High definition and smooth picture, 2592x1520@30fps
- H.265 video codec, saves up to 50% bandwidth and storage
- Low illumination, 0.05lux with color picture
- 120dB Ultra WDR
- 3D noise reduction / Auto Iris / HLC

Intelligent Functions

- Motion detection / Tampering / Guard line / Defocus / Scene change / Enter guard area / Exit guard area / Object left / Object removal / Gathering / Audio surge

Vandal-Proof

- Above IK10 @ 50J collision energy

A Variety of Installation Modes

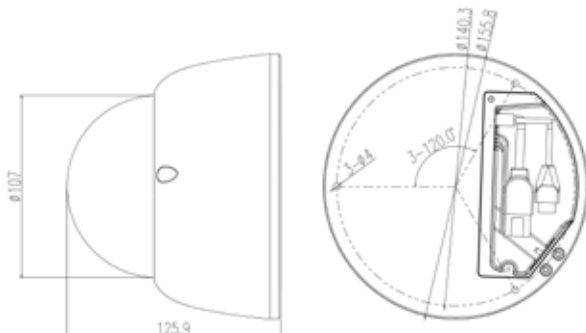
- Supports 90°, 180°, 270° image rotation
- Varifocal AF lens (-Z2812 only)

Abundant Functions and Features

- Micro SD card slot, supports Automatic Network Replenishment (ANR)
- Bi-directional audio / alarm in and out / video out / RS485
- 2 channel audio input simultaneously
- Up to 3 Multi-stream
- PoE / Power output
- IP67

Dimensions

Units:mm

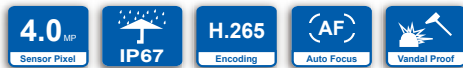


Specifications

	IPC2431-HN-S
Camera	
Image Sensor	1/3" progressive scan CMOS
Pixels	4.0 Megapixel
Min. Illumination	Color: 0.05lux @ (F1.4, AGC ON) B/W: 0.005lux @ (F1.4, AGC ON)
Shutter Speed	1 ~ 1/30,000s
Day / Night	Auto (ICR) / Color / B/W
Wide Dynamic Range	Ultra WDR, >=120dB
S/N Ratio	> 50dB
White Balance	Auto / Manual
Gain Control	Auto / Manual
Backlight Compensation	Off / BLC / WDR / HLC
Lens	
Mount Type	-Z2812: Φ 14 -L0200 / -L0220: M12
Auto Iris	-Z2812: DC drive -L0200 / -L0220: Fixed
Focal Length	-Z2812: 2.8~12mm @ F1.4 motorized varifocal lens -L0200: 2mm -L0220: 2.2mm
Focus Control	-Z2812: Manual / Semi-Automatic / Auto -L0200 / -L0220: Fixed
Angle of View	-L0200: 151° -L0220: 126° -Z2812: 106° ~ 33°
Adjustment Range	Pan: 0° ~ 355° / Tilt: 0° ~ 75° / Rotation: 0° ~ 355°
Video	
Compression	H.265 / H.264 / MJPEG
Image Resolution	Main stream: 2592x1520 Secondary stream: D1
Frame Rate	Main stream: 2592x1520@30fps Secondary stream: D1@30fps
Bitrate	32kbps ~ 16Mbps
Bitrate Control	VBR / CBR
Multi-stream	Supported
Caption	Date and time / Alarm / Customized
Privacy Masking	Up to 4 zones
Motion Detection	Up to 4 zones
Video Freeze	Supported
ROI	Supported
Digital Noise Reduction	3D noise reduction
Digital Defog	Supported
Image Flip	Flip / Mirror / Rotation at 90°, 180°, 270°
Audio	
Compression	G.711a / G.711u / ADPCM / G.722 / AAC-LC / G.722.1c / G.726
Bitrate	32kbps ~ 64kbps
Audio Function	Bi-directional audio / AEC / Mixed audio recording / Dumb / Mute
Network	
Network Protocols	TCP/IP, UDP, HTTP, DHCP, DNS/DDNS, RTP/RTCP, RTSP, PPPoE, FTP, VSIP, UPnP, 802.1x, NAT, QoS, SMTP, IPv4, IPv6 (optional)
User Interface	IPC Control (IE, Firefox, Chrome)
Max. User Access	Max. 10 Users (includes 2 internal)
Application Programming	ONVIF (Profile S, Profile G), GB/T 28181-2011, API, CGI
Automatic Network Replenishment (ANR)	Supported
Alarm	
Alarm Triggers	Alarm input / Network disconnect / Disk full / Disk error
Intelligent	Motion detection / Tampering / Guard line / Defocus / Scene change / Enter guard area / Exit guard area / Object left / Object removal / Gathering / Audio surge
Alarm Events	Alarm report / Recording / Text overlay / Snapshot / External output / Email notice / Acoustic alarm
Interfaces	
Ethernet	10/100M, RJ45 interface
Audio In / Out	2 x Line in / 1 x Line out
Control	1 x RS485
Alarm In / Out	1 x Input / 1 x Output
Video Out	1 x BNC, 1.0V [p-p] / 75 Ω
Memory Slot	Micro SD card slot, supports up to 128GB
Power Output	1 x DC12V / 0.1A Output
Environmental	
Operating Temperature	-40°C ~ 70°C / -40°F ~ 158°F
Operating Humidity	10% ~ 95%
Protection Level	IK10+ @ 50J, IP67
Electrical	
Power	AC24V \pm 10% / DC12V \pm 10% / PoE (IEEE802.3af)
Power Consumption	Max. 11W
Mechanical	
Weight	1 kg / 2.2lb (Gross Weight)
Dimensions	Φ 155.8 x 125.9mm / Φ 6.14" x 4.96"

IPC2431-HN-SIR40

4.0MP Ultra WDR HD Network Vandal-Proof Varifocal IR Semi Dome Camera



Features

Excellent Image Quality

- 4.0 Megapixel 1/3" progressive scan CMOS sensor
- High definition and smooth picture, 2592x1520@30fps
- H.265 video codec, saves up to 50% bandwidth and storage
- Low illumination, 0.05lux with color picture
- 120dB Ultra WDR
- 3D noise reduction / Auto Iris / HLC

Intelligent Functions

- Motion detection / Tampering / Guard line / Defocus / Scene change / Enter guard area / Exit guard area / Object left / Object removal / Gathering / Audio surge

Vandal-Proof

- Above IK10 @ 50J collision energy

Integrated High Efficiency IR

- Industrial IR LED with long operational lifespan
- 20 ~ 40m IR distance
- Smart IR function

A Variety of Installation Modes

- Supports 90°, 180°, 270° image rotation
- Varifocal AF lens

Abundant Functions and Features

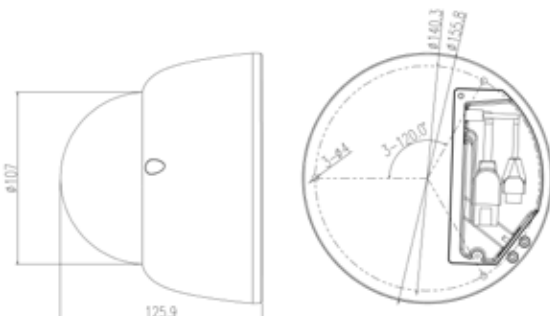
- Micro SD card slot, supports Automatic Network Replenishment (ANR)
- Bi-directional audio / alarm in and out / video out / RS485
- 2 channel audio input simultaneously
- Up to 3 Multi-stream
- PoE / Power output
- IP67

Specifications

	IPC2431-HN-SIR40
Camera	
Image Sensor	1/3" progressive scan CMOS
Pixels	4.0 Megapixel
Min. Illumination	Color: 0.05lux @ (F1.4, AGC ON) B/W: 0lux with IR
Shutter Speed	1 ~ 1/30,000s
Day / Night	Auto (ICR) / Color / B/W
Wide Dynamic Range	Ultra WDR, >=120db
S/N Ratio	> 50dB
White Balance	Auto / Manual
Gain Control	Auto / Manual
Backlight Compensation	Off / BLC / WDR / HLC
Lens	
Mount Type	Ø14
Auto Iris	DC drive
Focal Length	-Z2812: 2.8~12mm @ F1.4 motorized varifocal lens
Focus Control	Manual / Semi-Automatic / Auto
Angle of View	-Z2812: 106° ~ 33°
Adjustment Range	Pan: 0° ~ 355° / Tilt: 0° ~ 75° / Rotation: 0° ~ 355°
Infrared	
IR Distance	20 ~ 40m
IR Intensity	Smart IR
Video	
Compression	H.265 / H.264 / MJPEG
Image Resolution	Main stream: 2592x1520 Secondary stream: D1
Frame Rate	Main stream: 2592x1520@30fps Secondary stream: D1@30fps
Bitrate	32kbps ~ 16Mbps
Bitrate Control	VBR / CBR
Multi-stream	Supported
Caption	Date and time / Alarm / Customized
Privacy Masking	Up to 4 zones
Motion Detection	Up to 4 zones
Video Freeze	Supported
ROI	Supported
Digital Noise Reduction	3D noise reduction
Digital Defog	Supported
Image Flip	Flip / Mirror / Rotation at 90°, 180°, 270°
Audio	
Compression	G.711a / G.711u / ADPCM / G.722 / AAC-LC / G.722.1c / G.726
Bitrate	32kbps ~ 64kbps
Audio Function	Bi-directional audio / AEC / Mixed audio recording / Dumb / Mute
Network	
Network Protocols	TCP/IP, UDP, HTTP, DHCP, DNS/DDNS, RTP/RTCP, RTSP, PPPoE, FTP, VSIP, UPnP, 802.1x, NAT, QoS, SMTP, IPv4, IPv6 (optional)
User Interface	IPC Control (IE, Firefox, Chrome)
Max. User Access	Max. 10 Users (includes 2 internal)
Application Programming	ONVIF (Profile S, Profile G), GB/T 28181-2011, API, CGI
Automatic Network Replenishment (ANR)	Supported
Alarm	
Alarm Triggers	Alarm input / Network disconnect / Disk full / Disk error
Intelligent	Motion detection / Tampering / Guard line / Defocus / Scene change / Enter guard area / Exit guard area / Object left / Object removal / Gathering / Audio surge
Alarm Events	Alarm report / Recording / Text overlay / Snapshot / External output / Email notice / Acoustic alarm
Interfaces	
Ethernet	i10/100M, RJ45 interface
Audio In / Out	2 x Line in / 1 x Line out
Control	1 x RS485
Alarm In / Out	1 x Input / 1 x Output
Video Out	1 x BNC, 1.0V [p-p] / 75Ω
Memory Slot	Micro SD card slot, supports up to 128GB
Power Output	1 x DC12V / 0.1A Output
Environmental	
Operating Temperature	-40°C ~ 70°C / -40°F ~ 158°F
Operating Humidity	10% ~ 95%
Protection Level	IK10+ @50J, IP67
Electrical	
Power	AC24V±10% / DC12V ± 10% / PoE (IEEE802.3af)
Power Consumption	Max. 11W
Mechanical	
Weight	1 kg / 2.2lb (Gross Weight)
Dimensions	Ø155.8 × 125.9mm / Ø6.14" × 4.96"

Dimensions

Units:mm



IPC2860-HN-SIR30

12MP Panoramic IR Fisheye Camera



Features

Excellent Image Quality

- 12 Megapixel 1/1.7" progressive scan CMOS sensor
- High definition and smooth picture, 4000x3072@20fps
- H.265 video codec, saves up to 50% bandwidth and storage
- Low illumination, 0.05lux with color picture
- WDR / 3D noise reduction / Auto Iris / HLC

Intelligent Functions

- Motion detection / Tampering / Guard line / Defocus / Scene change / Enter guard area / Exit guard area / Object left / Object removal / Gathering / Audio surge / Heat map

Vandal-Proof

- Above IK10 @ 50J collision energy

Integrated High Efficiency IR

- Industrial IR LED with long operational lifespan
- 30m IR distance
- Smart IR function

A Variety of Installation Modes

- Supports 180° image rotation

Abundant Functions and Features

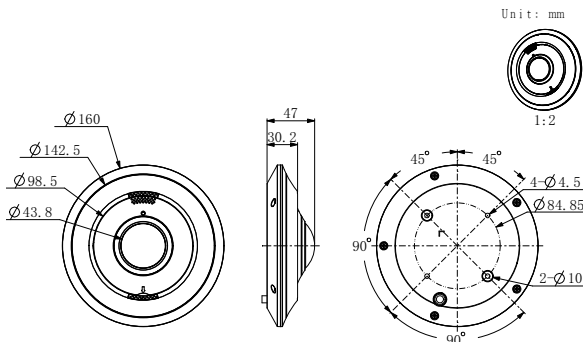
- Micro SD card slot, supports Automatic Network Replenishment (ANR)
- Bi-directional audio / alarm in and out / video out / RS485
- 2 channel audio input simultaneously
- Up to 5 Multi-stream
- PoE
- IP67

Specifications

	IPC2860-HN-SIR30
Camera	
Image Sensor	1/1.7" progressive scan CMOS
Pixels	12 Megapixel
Min. Illumination	Color: 0.05lux@ (F2.0, AGC ON) B/W: 0lux with IR
Shutter Speed	1 ~ 1/30,000s
Day / Night	Auto (ICR) / Color / B/W
Wide Dynamic Range	Digital WDR
S/N Ratio	> 50dB
White Balance	Auto / Manual
Gain Control	Auto / Manual
Backlight Compensation	Off / BLC / WDR / HLC
Lens	
Mount Type	M12
Focal Length	1.85mm (-L0185)
Angle of View	-L0185: 180°
Infrared	
IR Distance	30m
IR Intensity	Smart IR
Video	
Compression	H.265 / H.264
Image Resolution	Main stream: 4000x3072 Secondary stream: D1
Frame Rate	Main stream: 4000x3072@20fps, 3264x2448@25fps, 1080p@30fps Secondary stream: D1@30fps
Bitrate	32kbps ~ 16Mbps
Bitrate Control	VBR / CBR
Multi-stream	Supported
Caption	Date and time / Alarm / Customized
Privacy Masking	Up to 4 zones
Motion Detection	Up to 4 zones
Video Freeze	Supported
ROI	Supported
Digital Noise Reduction	3D noise reduction
Digital Defog	Supported
Image Flip	Flip / Mirror / Rotation at 180°
Audio	
Compression	G.711a / G.711u / ADPCM / G.722 / AAC-LC / G.722.1c / G.726
Bitrate	32kbps ~ 64kbps
Audio Function	Bi-directional audio / AEC / Mixed audio recording / Dumb / Mute
Network	
Network Protocols	TCP/IP, UDP, HTTP, DHCP, DNS/DDNS, RTP/RTCP, RTSP, PPPoE, FTP, VSIP, UPnP, 802.1x, NAT, QoS, SMTP, IPv4, IPv6 (optional)
User Interface	IPC Control (IE, Firefox, Chrome)
Max. User Access	Max. 10 Users (includes 2 internal)
Application Programming	ONVIF (Profile S, Profile G), GB/T 28181-2011, API, CGI
Automatic Network Replenishment (ANR)	Supported
Alarm	
Alarm Triggers	Alarm input / Network disconnect / Disk full / Disk error
Intelligent	Motion detection / Tampering / Guard line / Defocus / Scene change / Enter guard area / Exit guard area / Object left / Object removal / Gathering / Audio surge
Alarm Events	Alarm report / Recording / Text overlay / Snapshot / External output / Email notice / Acoustic alarm
Interfaces	
Ethernet	10/100M, RJ45 interface
Audio In / Out	2 x Line in / 1 x Line out
Control	1 x RS485
Alarm In / Out	1 x Input / 1 x Output
Video Out	1 x BNC, 1.0V [p-p] / 75Ω
Memory Slot	Micro SD card slot, supports up to 128GB
Power Output	1 x DC12V / 0.1A Output
Environmental	
Operating Temperature	-40°C ~ 70°C / -40°F ~ 158°F
Operating Humidity	10% ~ 95%
Protection Level	IK10+ @50J, IP67
Electrical	
Power	DC12V ± 10% / PoE (IEEE802.3at)
Power Consumption	Max. 20W
Mechanical	
Weight	0.5 kg / 1.1lb (Gross Weight)
Dimensions	Φ160x 47mm / Φ6.30" x 1.85"

Dimensions

Units:mm



IPC2860-HN-PIR15

8.0MP Panoramic IR Fisheye Camera



Features

Excellent Image Quality

- 8.0 Megapixel 1/1.7" progressive scan CMOS sensor
- High definition and smooth picture, 3264x2448@25fps
- H.265 video codec, saves up to 50% bandwidth and storage
- Low illumination, 0.05lux with color picture
- WDR / 3D noise reduction / Auto Iris / HLC

Intelligent Functions

- Motion detection / Tampering / Guard line / Enter guard area / Exit guard area

Vandal-Proof

- Above IK10 @ 50J collision energy

Integrated High Efficiency IR

- Industrial IR LED with long operational lifespan
- 15m IR distance
- Smart IR function

A Variety of Installation Modes

- Supports 180° image rotation

Abundant Functions and Features

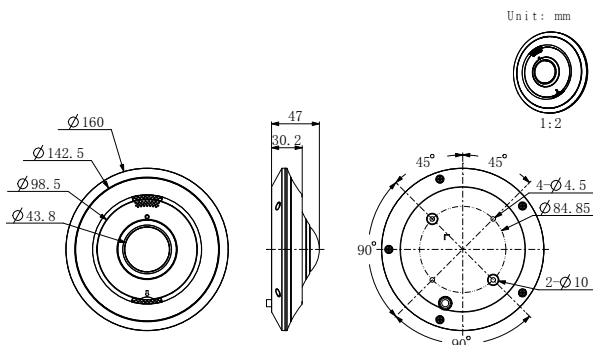
- Micro SD card slot, supports Automatic Network Replenishment (ANR)
- Built-in Mic
- Up to 5 Multi-stream
- PoE
- IP67

Specifications

	IPC2860-HN-PIR15
Camera	
Image Sensor	1/1.7" progressive scan CMOS
Pixels	8.0 Megapixel
Min. Illumination	Color: 0.05lux@ (F2.0, AGC ON) B/W: 0lux with IR
Shutter Speed	1 ~ 1/30,000s
Day / Night	Auto (ICR) / Color / B/W
Wide Dynamic Range	Digital WDR
S/N Ratio	> 50dB
White Balance	Auto / Manual
Gain Control	Auto / Manual
Backlight Compensation	Off / BLC / WDR / HLC
Lens	
Mount Type	M12
Focal Length	1.85mm (-L0185)
Angle of View	-L0185: 180°
Infrared	
IR Distance	15m
IR Intensity	Smart IR
Video	
Compression	H.265 / H.264
Image Resolution	Main stream: 3264x2448 Secondary stream: D1
Frame Rate	Main stream: 3264x2448@25fps, 1080p@30fps Secondary stream: D1@30fps
Bitrate	32kbps ~ 16Mbps
Bitrate Control	VBR / CBR
Multi-stream	Supported
Caption	Date and time / Alarm / Customized
Privacy Masking	Up to 4 zones
Motion Detection	Up to 4 zones
Video Freeze	Supported
ROI	Supported
Digital Noise Reduction	3D noise reduction
Digital Defog	Supported
Image Flip	Flip / Mirror / Rotation at 180°
Audio	
Compression	G.711a / G.711u / ADPCM / G.722 / AAC-LC / G.722.1c / G.726
Bitrate	32kbps ~ 64kbps
Audio Function	AEC / Dumb
Network	
Network Protocols	TCP/IP, UDP, HTTP, DHCP, DNS/DDNS, RTP/RTCP, RTSP, PPPoE, FTP, VSIP, UPnP, 802.1x, NAT, QoS, SMTP, IPv4, IPv6 (optional)
User Interface	IPC Control (IE, Firefox, Chrome)
Max. User Access	Max. 10 Users (includes 2 internal)
Application Programming	ONVIF (Profile S, Profile G), GB/T 28181-2011, API, CGI
Automatic Network Replenishment (ANR)	Supported
Alarm	
Alarm Triggers	Network disconnect / Disk full / Disk error
Intelligent	Motion detection / Tampering / Guard line / Enter guard area / Exit guard area
Alarm Events	Alarm report / Recording / Text overlay / Snapshot / Email notice
Interfaces	
Ethernet	10/100M, RJ45 interface
Memory Slot	Micro SD card slot, supports up to 256GB
Environmental	
Operating Temperature	-40°C ~ 70°C / -40°F ~ 158°F
Operating Humidity	10% ~ 95%
Protection Level	IK10+ @50J, IP67
Electrical	
Power	DC12V ± 10% / PoE (IEEE802.3at)
Power Consumption	Max. 20W
Mechanical	
Weight	0.5 kg / 1.1lb (Gross Weight)
Dimensions	Ø160× 47mm / Ø6.30" x 1.85"

Dimensions

Units:mm



IPC411-E020

1.3MP HD 16x Network Speed Dome Camera



Features

Excellent Image Quality

- 1.3 Megapixel 1/3" progressive scan CMOS sensor
- High definition and smooth picture, 960p@30fps
- H.264 high profile video codec, saves up to 30% bandwidth and storage
- Low illumination, 0.03lux with color picture
- WDR support / 3D noise reduction

Long Operation Lifespan

- Industrial components, withstands operation temperatures of -40°C ~ 70°C
- IP67, TVS 6000V lightning protection, surge protection and voltage transient protection (-N1)

A Variety of Installation Modes

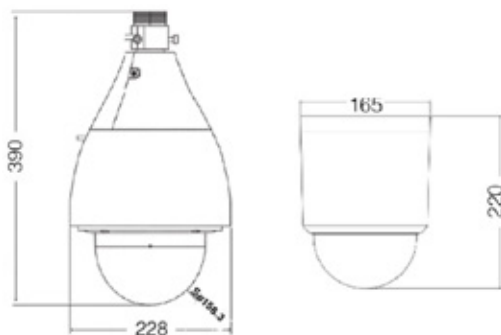
- Indoor ceiling / Indoor recessed / Outdoor

Abundant Functions and Features

- SD card slot, supports Automatic Network Replenishment (ANR)
- Dual-stream (960p+D1)
- Bi-directional audio / alarm in and out / video out / RS485

Dimensions

Units: mm



Specifications

	IPC411-E020 (-N0, -N1)
Camera	
Image Sensor	1/3" progressive scan CMOS
Pixels	1.3 Megapixel
Min. Illumination	Color: 0.03lux @ (F1.5, AGC ON) B/W: 0.003lux @ (F1.5, AGC ON)
Shutter Speed	1/10 ~ 1/10,000s
Day / Night	Auto (ICR) / Color / B/W
Wide Dynamic Range	Digital WDR
S/N Ratio	> 52dB
White Balance	Auto / Manual
Gain Control	Auto / Manual
Backlight Compensation	Off / BLC / WDR
Lens	
Focal Length	6 ~ 96mm, 16x
Zoom Speed	Approx 3s (Optical)
Angle of View	56° ~ 3.6° (Wide~Tele)
Min. Object Distance	300 ~ 1000mm (Wide~Tele)
Max. Aperture Ratio	F1.5 (Wide) / F3.6 (Tele)
Focus Control	Auto / Manual / Semi-Automatic
Pan and Tilt	
Pan / Tilt Range	360° Endless / 0° ~ 90°
Pan / Tilt Speed	Pan manual speed: 0.1° ~ 250°/s; Pan preset speed: 450°/s Tilt manual speed: 0.1° ~ 150°/s; Tilt preset speed: 350°/s
Proportional Zoom	Pan / Tilt speed can be adjusted automatically according to zoom multiples
Preset	255
Patrol	8 Patrols scheme, up to 32 presets per patrol
Pattern Scan	4 Scan paths, each path can record 10 minutes of operation path
Power-off Memory	Power-off memory / Power-on recovery
Auto Guard	Patrol / Preset / Pattern Scan / Pan scan / Tilt scan / Frame scan / Random scan / Panorama scan
PT Limit	Manual / Scan / Pan
3D Positioning	PTZ control with mouse click and drag
Video	
Compression	H.264
Image Resolution	Main stream: 960p Secondary stream: D1
Frame Rate	Main stream: 960p@30fps Secondary stream: D1@30fps
Bitrate	64kbps ~ 8Mbps
Bitrate Control	VBR / CBR
Dual-stream	Supported
Caption	Date and time / Alarm / Customized
Privacy Masking	Up to 4 zones
Motion Detection	Up to 4 zones
Video Freeze	Supported
Digital Noise Reduction	3D noise reduction
Image Flip	Flip / Mirror
Audio	
Compression	G.711a / G.711u / ADPCM / G.722 / AAC-LC
Bitrate	32kbps ~ 64kbps
Audio Function	Bi-directional audio / AEC / Mixed audio recording / Dumb / Mute
Network	
Network Protocols	TCP/IP, UDP, HTTP, DHCP, DNS/DDNS, RTP/RTCP, RTSP, PPPoE, FTP, VSIP, IPv4, IPv6 (optional)
User Interface	IPC Control (IE)
Max. User Access	Max. 10 Users (includes 2 internal)
Application Programming	ONVIF (Profile S), GB/T 28181-2011, API, CGI
Automatic Network Replenishment (ANR)	Supported
Alarm	
Alarm Triggers	Motion detection / Alarm input
Alarm Events	Alarm caption / Snapshot / External output
Interfaces	
Ethernet	10/100M, RJ45 interface
Audio In / Out	1 x Line in / 1 x Line out
Control	1 x RS485
Alarm In / Out	4 x Input / 2 x Output
Video Out	1 x BNC, 1.0V I _{p-p} / 75Ω
Memory Slot	SD card slot, supports up to 128GB
Environmental	
Operating Temperature	-40°C ~ 70°C / -40°F ~ 158°F
Operating Humidity	10% ~ 95%
Protection Level	-N1(Outdoor): IP67, TVS 6000V lightning protection, surge protection and voltage transient protection
Electrical	
Power	24V AC / 3A (Power adapter included)
Power Consumption	-N0(Indoor): Hi-PoE (optional) Max. 45W (Heater on)
Mechanical	
Weight	-N0(Indoor): 3 kg / 6.6lb (Net Weight) -N1(Outdoor): 6 kg / 13.2lb (Net Weight)
Dimensions	-N0(Indoor): Φ165 × 220mm / Φ6.50" × 8.66" -N1(Outdoor): Φ228 × 390mm / Φ8.98" × 15.35"

IPC421-E230

2.0MP Starlight & Ultra WDR HD 30x Network Speed Dome Camera



Features

Excellent Image Quality

- 2.0 Megapixel 1/2.8" progressive scan CMOS sensor
- High definition and smooth picture, 1080p@60fps
- H.265 video codec, saves up to 50% bandwidth and storage
- Low illumination, 0.003lux with color picture
- 120dB Ultra WDR
- HLC / 3D noise reduction

Intelligent Functions

- Motion detection / Tampering / Guard line / Enter guard area / Exit guard area / Object left / Object removal / Gathering / Audio surge

Long Operation Lifespan

- Industrial components, withstands operation temperatures of -40°C ~ 70°C

A Variety of Installation Modes

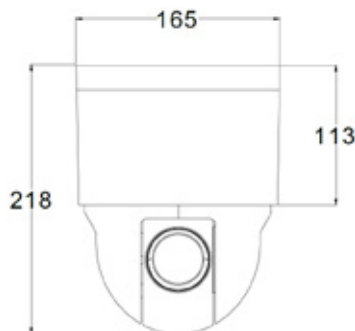
- Indoor ceiling / Indoor recessed

Abundant Functions and Features

- SD card slot, supports Automatic Network Replenishment (ANR)
- Up to 3 video streams
- Bi-directional audio / alarm in and out / video out / RS485
- Built-in O-sensor

Dimensions

Units: mm



Specifications

IPC421-E230-N0	
Camera	
Image Sensor	1/2.8" progressive scan CMOS
Pixels	2.0 Megapixel
Min. Illumination	Color: 0.003lux @ (F1.6, AGC ON) B/W: 0.0003lux @ (F1.6, AGC ON)
Shutter Speed	1 ~ 1/30,000s
Day / Night	Auto (ICR) / Color / B/W
Wide Dynamic Range	Ultra WDR, >=120db
S/N Ratio	>53dB
White Balance	Auto / Manual
Gain Control	Auto / Manual
Backlight Compensation	Off / WDR / BLC / HLC
Lens	
Focal Length	4.5 ~ 135mm, 30x
Zoom Speed	Approx 3s (Optical)
Angle of View	67.8° ~ 2.77° (Wide~Tele)
Min. Object Distance	300 ~ 1500mm (Wide~Tele)
Max. Aperture Ratio	F1.6 (Wide) / F4.4 (Tele)
Focus Control	Auto / Manual / Semi-Automatic
Pan and Tilt	
Pan / Tilt Range	360° Endless / 0° ~ 90°
Pan / Tilt Speed	Pan manual speed: 0.1° ~ 250°/s; Pan preset speed: 450°/s Tilt manual speed: 0.1° ~ 150°/s; Tilt preset speed: 350°/s
Proportional Zoom	Pan / Tilt speed can be adjusted automatically according to zoom multiples
Preset	256
Patrol	8 Patrols scheme, up to 32 presets per patrol
Pattern Scan	4 Scan paths, each path can record 10 minutes of operation path
Power-off Memory	Power-off memory / Power-on recovery
Auto Guard	Path / Preset / Mixed / Pan scan / Tilt scan / Frame scan / Random scan / Panorama scan
PT Limit	Manual / Scan / Pan
3D Positioning	PTZ control with mouse click and drag
Electronic compass	Built-in O-sensor
Video	
Compression	H.265 / H.264 / MJPEG
Image Resolution	Main stream: 1080p Secondary stream: D1
Frame Rate	Main stream: 1080p@60fps Secondary stream: D1@30fps
Bitrate	32kbps ~ 16Mbps
Bitrate Control	VBR / CBR
Multi-stream	Supported
Caption	Date and time / Alarm / Direction / Customized
Privacy Masking	Up to 4 zones
Motion Detection	Up to 4 zones
Video Freeze	Supported
ROI	Supported
Digital Noise Reduction	3D noise reduction
Digital Defog	Supported
Image Flip	Flip / Mirror
Audio	
Compression	G.711a / G.711u / ADPCM / G.722 / AAC-LC / G.722.1c / G.726
Bitrate	32kbps ~ 64kbps
Audio Function	Bi-directional audio / AEC / Mixed audio recording / Dumb / Mute
Network	
Network Protocols	TCP/IP, UDP, HTTP, DHCP, DNS/DDNS, RTP/RTCP, RTSP, PPPoE, FTP, VSIP, UPnP, 802.1x, NAT, QoS, SMTP, IPv4, IPv6 (optional)
User Interface	IPC Control (IE, Firefox, Chrome)
Max. User Access	Max. 10 Users (includes 2 internal)
Application Programming	ONVIF (Profile S, Profile G), GB/T 28181-2011, API, CGI
Automatic Network Replenishment (ANR)	Supported
Alarm	
Alarm Triggers	Alarm input / Network disconnect / Disk full / Disk error
Intelligent	Motion detection / Tampering / Guard line / Enter guard area / Exit guard area / Object left / Object removal / Gathering / Audio surge
Alarm Events	Alarm report / Recording / Text overlay / Snapshot / External output / Email notice / Acoustic alarm
Interfaces	
Ethernet	10/100M, RJ45 interface
Audio In / Out	1 x Line in / 1 x Line out
Control	1 x RS485
Alarm In / Out	4 x Input / 2 x Output
Video Out	1 x BNC, 1.0V [p-p] / 75Ω
Memory Slot	SD card slot, supports up to 128GB
Environmental	
Operating Temperature	-40°C ~ 70°C / -40°F ~ 158°F
Operating Humidity	10% ~ 95%
Electrical	
Power	24V AC / 3A (Power adapter included) / Hi-PoE (optional)
Power Consumption	Max. 45W
Mechanical	
Weight	3 kg / 6.6lb (Net Weight)
Dimensions	Φ165 x 220mm / Φ6.50" x 8.66"

IPC421-F120

2.0MP Starlight & Ultra WDR HD 20x Network Speed Dome Camera



Features

Excellent Image Quality

- 2.0 Megapixel 1/2.8" progressive scan CMOS sensor
- High definition and smooth picture, 1080p@30fps
- H.265 video codec, saves up to 50% bandwidth and storage
- Ultra low illumination, 0.003lux with color picture
- 120dB Ultra WDR
- HLC / 3D noise reduction

Intelligent Functions

- Motion detection / Tampering / Guard line / Enter guard area / Exit guard area

Long Operation Lifespan

- Industrial components, withstands operation temperatures of -40°C ~ 70°C
- IP67, TVS 6000V lightning protection, surge protection and voltage transient protection (-N1)

A Variety of Installation Modes

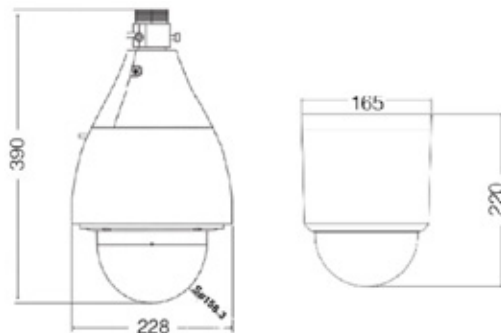
- Indoor ceiling / Indoor recessed / Outdoor

Abundant Functions and Features

- SD card slot, supports Automatic Network Replenishment (ANR)
- Up to 3 video streams
- Bi-directional audio / alarm in and out / video out / RS485
- Built-in O-sensor

Dimensions

Units: mm



Specifications

	IPC421-F120 (-N0, -N1)
Camera	
Image Sensor	1/2.8" progressive scan CMOS
Pixels	2.0 Megapixel
Min. Illumination	Color: 0.003lux @ (F1.6, AGC ON) B/W: 0.0003lux @ (F1.6, AGC ON)
Shutter Speed	1 ~ 1/30,000s
Day / Night	Auto (ICR) / Color / B/W
Wide Dynamic Range	Ultra WDR, 120dB
S/N Ratio	> 53dB
White Balance	Auto / Manual
Gain Control	Auto / Manual
Backlight Compensation	Off / WDR / BLC / HLC
Lens	
Focal Length	4.7 ~ 94mm, 20x
Zoom Speed	Approx 3s (Optical)
Angle of View	61° ~ 3.64° (Wide~Tele)
Min. Object Distance	300 ~ 1000mm (Wide~Tele)
Max. Aperture Ratio	F1.6 (Wide) / F3.5 (Tele)
Focus Control	Auto / Manual / Semi-Automatic
Pan and Tilt	
Pan / Tilt Range	360° Endless / 0° ~ 90°
Pan / Tilt Speed	Pan manual speed: 0.1° ~ 250°/s; Pan preset speed: 450°/s Tilt manual speed: 0.1° ~ 150°/s; Tilt preset speed: 350°/s
Proportional Zoom	Pan / Tilt speed can be adjusted automatically according to zoom multiples
Preset	256
Patrol	8 Patrols scheme, up to 32 presets per patrol
Pattern Scan	4 Scan paths, each path can record 10 minutes of operation path
Power-off Memory	Power-off memory / Power-on recovery
Auto Guard	Path / Preset / Mixed / Pan scan / Tilt scan / Frame scan / Random scan / Panorama scan
PT Limit	Manual / Scan / Pan
3D Positioning	PTZ control with mouse click and drag
Electronic compass	Built-in O-sensor
Video	
Compression	H.265 / H.264 / MJPEG
Image Resolution	Main stream: 1080p Secondary stream: D1
Frame Rate	Main stream: 1080p@30fps Secondary stream: D1@30fps
Bitrate	32kbps ~ 16Mbps
Bitrate Control	VBR / CBR
Multi-stream	Supported
Caption	Date and time / Alarm / Direction / Customized
Privacy Masking	Up to 4 zones
Motion Detection	Up to 4 zones
Video Freeze	Supported
ROI	Supported
Digital Noise Reduction	3D noise reduction
Digital Defog	Supported
Image Flip	Flip / Mirror
Audio	
Compression	G.711a / G.711u / ADPCM / G.722 / AAC-LC / G.722.1c / G.726
Bitrate	32kbps ~ 64kbps
Audio Function	Bi-directional audio / AEC / Mixed audio recording / Dumb / Mute
Network	
Network Protocols	TCP/IP, UDP, HTTP, DHCP, DNS/DDNS, RTP/RTCP, RTSP, PPPoE, FTP, VSIP, UPnP, 802.1x, NAT, QoS, SMTP, IPv4, IPv6 (optional)
User Interface	IPC Control (IE, Firefox, Chrome)
Max. User Access	Max. 10 Users (includes 2 internal)
Application Programming	ONVIF (Profile S, Profile G), GB/T 28181-2011, API, CGI
Automatic Network Replenishment (ANR)	Supported
Alarm	
Alarm Triggers	Alarm input / Network disconnect / Disk full / Disk error
Intelligent	Motion detection / Tampering / Guard line / Enter guard area / Exit guard area
Alarm Events	Alarm report / Recording / Text overlay / Snapshot / External output / Email notice / Acoustic alarm
Interfaces	
Ethernet	10/100M, RJ45 interface
Audio In / Out	1 x Line in / 1 x Line out
Control	1 x RS485
Alarm In / Out	4 x Input / 2 x Output
Video Out	1 x BNC, 1.0V [p-p] / 75Ω
Memory Slot	SD card slot, supports up to 128GB
Environmental	
Operating Temperature	-40°C ~ 70°C / -40°F ~ 158°F
Operating Humidity	10% ~ 95%
Protection Level	-N1(Outdoor): IP67, TVS 6000V lightning protection, surge protection and voltage transient protection
Electrical	
Power	24V AC / 3A (Power adapter included)
Power Consumption	-N0(Indoor): Hi-PoE (optional) Max. 45W (Heater on)
Mechanical	
Weight	-N0(Indoor): 3 kg / 6.6lb (Net Weight) -N1(Outdoor): 6 kg / 13.2lb (Net Weight)
Dimensions	-N0(Indoor): Φ165 x 220mm / Φ6.50" x 8.66" -N1(Outdoor): Φ228 x 390mm / Φ8.98" x 15.35"

IPC421-F233-N1

2.0MP Starlight & Ultra WDR HD 33x Network Speed Dome Camera



Features

Excellent Image Quality

- 2.0 Megapixel 1/2.8" progressive scan CMOS sensor
- High definition and smooth picture, 1080p@30fps
- H.265 video codec, saves up to 50% bandwidth and storage
- Ultra low illumination, 0.003lux with color picture
- 120dB Ultra WDR

Intelligent Functions

- Motion detection / Tampering / Guard line / Enter guard area / Exit guard area / Object left / Object removal / Gathering / Audio surge

Long Operation Lifespan

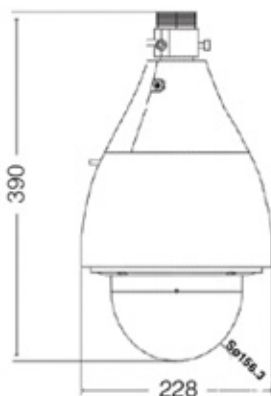
- Industrial components, withstands operation temperatures of -40°C ~ 70°C
- IP67, TVS 6000V lightning protection, surge protection and voltage transient protection

Abundant Functions and Features

- SD card slot, supports Automatic Network Replenishment (ANR)
- Up to 3 video streams
- Bi-directional audio / alarm in and out / video out / RS485
- Built-in O-sensor

Dimensions

Units: mm



Specifications

IPC421-F233-N1	
Camera	
Image Sensor	1/2.8" progressive scan CMOS
Pixels	2.0 Megapixel
Min. Illumination	Color: 0.003lux @ (F1.6, AGC ON) B/W: 0.0003lux @ (F1.6, AGC ON)
Shutter Speed	1 ~ 1/30,000s
Day / Night	Auto (ICR) / Color / B/W
Wide Dynamic Range	Ultra WDR, >=120dB
S/N Ratio	>55dB
White Balance	Auto / Manual
Gain Control	Auto / Manual
Backlight Compensation	Off / WDR / BLC / HLC
Lens	
Focal Length	4.5 ~ 148.5mm, 33x optical
Zoom Speed	Approx 3s (Optical)
Angle of View	67.8° ~ 2.34° (Wide~Tele)
Min. Object Distance	300 ~ 1500mm (Wide~Tele)
Max. Aperture Ratio	F1.6 (Wide) / F4.4 (Tele)
Focus Control	Auto / Manual / Semi-Automatic
Pan and Tilt	
Pan / Tilt Range	360° Endless / 0° ~ 90°
Pan / Tilt Speed	Pan manual speed: 0.1° ~ 250°/s; Pan preset speed: 450°/s Tilt manual speed: 0.1° ~ 150°/s; Tilt preset speed: 350°/s
Proportional Zoom	Pan / Tilt speed can be adjusted automatically according to zoom multiples
Preset	256
Patrol	8 Patrols scheme, up to 32 presets per patrol
Pattern Scan	4 Scan paths, each path can record 10 minutes of operation path
Power-off Memory	Power-off memory / Power-on recovery
Auto Guard	Path / Preset / Mixed / Pan scan / Tilt scan / Frame scan / Random scan / Panorama scan
PT Limit	Manual / Scan / Pan
3D Positioning	PTZ control with mouse click and drag
Electronic compass	Built-in O-sensor
Video	
Compression	H.265 / H.264 / MJPEG
Image Resolution	Main stream: 1080p Secondary stream: D1
Frame Rate	Main stream: 1080p@30fps Secondary stream: D1@30fps
Bitrate	32kbps ~ 16Mbps
Bitrate Control	VBR / CBR
Multi-stream	IPC421-F233-N1
Caption	Date and time / Alarm / Direction / Customized
Privacy Masking	Up to 4 zones
Motion Detection	Up to 4 zones
Video Freeze	Supported
ROI	Supported
Digital Noise Reduction	3D noise reduction
Digital Defog	Supported
Image Flip	Flip / Mirror
Audio	
Compression	G.711a / G.711u / ADPCM / G.722 / AAC-LC / G.722.1c / G.726
Bitrate	32kbps ~ 64kbps
Audio Function	Bi-directional audio / AEC / Mixed audio recording / Dumb / Mute
Network	
Network Protocols	TCP/IP, UDP, HTTP, DHCP, DNS/DDNS, RTP/RTCP, RTSP, PPPoE, FTP, VSIP, UPnP, 802.1x, NAT, QoS, SMTP, IPv4, IPv6 (optional)
User Interface	IPC Control (IE, Firefox, Chrome)
Max. User Access	Max. 10 Users (includes 2 internal)
Application Programming	ONVIF (Profile S, Profile G), GB/T 28181-2011, API, CGI
Automatic Network Replenishment (ANR)	Supported
Alarm	
Alarm Triggers	Alarm input / Network disconnect / Disk full / Disk error
Intelligent	Motion detection / Tampering / Guard line / Enter guard area / Exit guard area / Object left / Object removal / Gathering / Audio surge
Alarm Events	Alarm report / Recording / Text overlay / Snapshot / External output / Email notice / Acoustic alarm
Interfaces	
Ethernet	10/100M, RJ45 interface
Audio In / Out	1 x Line in / 1 x Line out
Control	1 x RS485
Alarm In / Out	4 x Input / 2 x Output
Video Out	1 x BNC, 1.0V [p-p] / 75Ω
Memory Slot	SD card slot, supports up to 128GB
Environmental	
Operating Temperature	-40°C ~ 70°C / -40°F ~ 158°F
Operating Humidity	10% ~ 95%
Protection Level	IP67, TVS 6000V lightning protection, surge protection and voltage transient protection
Electrical	
Power	24V AC / 3A (Power adapter included)
Power Consumption	Max. 45W (Heater on)
Mechanical	
Weight	6 kg / 13.2lb (Net Weight)
Dimensions	Ø228 x 390mm / Ø8.98" x 15.35"

IPC427

2.0MP Starlight HD Speed Dome Camera



Features

Excellent Image Quality

- 2.0 Megapixel 1/2.8" progressive scan CMOS sensor
- High definition and smooth picture, 1920 x 1080@30fps
- H.265 video codec, saves up to 50% bandwidth and storage
- Ultra low illumination, 0.006lux with color picture
- IR automatically adjusts
- WDR / 3D noise reduction / HLC / BLC

Intelligent Functions

- Motion detection / Tampering / Guard line / Enter guard area / Exit guard area

Long Operation Lifespan

- Industrial components, withstands operation temperatures of -40°C ~ 70°C
- IP66, TVS 6000V lightning protection, surge protection and voltage transient protection

Large Scale

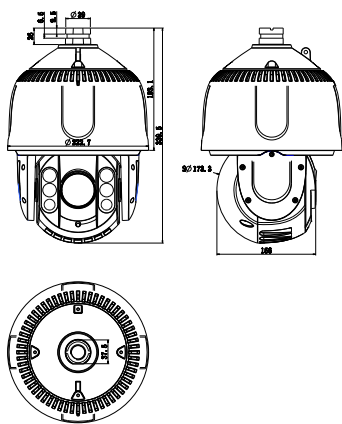
- 30x optical zoom (-F130-NP)
- IR distance up to 180m

Abundant Functions and Features

- Micro SD card optional, supports Automatic Network Replenishment (ANR)
- Up to 3 Multi-stream
- Bi-directional audio / alarm in and out
- Built-in O-sensor
- PoE (-F120-NP / -F130-NP)

Dimensions

Units: mm



Specifications

	IPC427-F020-N	IPC427-F120-NP	IPC427-F130-NP
Camera			
Image Sensor	1/2.8" progressive scan CMOS		
Pixels	2.0 Megapixel		
Min. Illumination	Color: 0.006lux @ (F2.8, AGC ON) B/W: 0.0005lux @ (F2.8, AGC ON); 0lux with IR		
Shutter Speed	1 ~ 1/30,000s		
Day / Night	Auto (ICR) / Color / B/W		
Wide Dynamic Range	Digital WDR		
S/N Ratio	>57dB		
White Balance	Auto / Manual		
Gain Control	Auto / Manual		
Backlight Compensation	Off / WDR / BLC / HLC		
Lens			
Focal Length	5.2 ~ 100.4mm, 20x optical		4.7 ~ 141mm, 30x optical
Zoom Speed	Approx 3s (Optical)		
Angle of View	61° ~ 3.64° (Wide~Tele)		60.8° ~ 2.77° (Wide~Tele)
Min. Object Distance	1000 ~ 1500mm (Wide~Tele)		
Max. Aperture Ratio	F2.8		
Focus Control	Auto / Manual / Semi-Automatic		
Infrared			
IR LED	6 pcs IR LED Array		
IR Distance	120 ~ 180m		
IR Intensity	Automatically adjust according to zoom ratio		
Pan and Tilt			
Pan / Tilt Range	360° Endless / -15° ~ 90° (Auto Flip)		
Pan / Tilt Speed	Pan manual speed: 0.1°~160°/s; Pan preset speed:160°/s Tilt manual speed: 0.1°~120°/s; Tilt preset speed: 120°/s		
Proportional Zoom Preset	Pan / Tilt speed can be adjusted automatically according to zoom multiples 256		
Patrol	8 Patrols scheme, up to 32 presets per patrol		
Pattern Scan	4 Scan paths, each path can record 10 minutes of operation path		
Power-off Memory	Power-off memory / Power-on recovery		
Auto Guard	Path / Preset / Mixed / Pan scan / Tilt scan / Frame scan / Random scan / Panorama scan		
PT Limit	Manual / Scan / Pan		
3D Positioning	PTZ control with mouse click and drag		
Electronic compass	Built-in O-sensor		
Video			
Compression	H.265 / H.264 / MJPEG		
Image Resolution	Main stream: 1080p Secondary stream: 720p		
Frame Rate	Main stream: 1080p@30fps Secondary stream: 720p@30fps		
Bitrate	32~16384kbps		
Bitrate Control	VBR / CBR		
Multi-stream	Supported		
Caption	Date and time / Alarm / Direction / Customized		
Privacy Masking	Up to 4 zones		
Motion Detection	Up to 4 zones		
Video Freeze	Supported		
ROI	Supported		
Digital Noise Reduction	3D noise reduction		
Electronic Defog	Supported		
Image Flip	Flip / Mirror		
Audio			
Compression	G.711a / G.711u / ADPCM / G.722 / AAC-LC / G.722.1c / G.726		
Bitrate	32kbps ~ 64kbps		
Audio Function	Bi-directional audio / AEC / Mixed audio recording / Dumb / Mute		
Network			
Network Protocols	TCP/IP, UDP, HTTP, DHCP, DNS/DDNS, RTP/RTCP, RTSP, PPPoE, FTP, VSIP, UPnP, 802.1x, NAT, QoS, SMTP, IPv4, IPv6 (optional)		
User Interface	IPC Control (IE, Firefox, Chrome)		
Max. User Access	Max. 10 Users (includes 2 internal)		
Application Programming	ONVIF (Profile S, Profile G), GB/T 28181-2011, API, CGI		
Automatic Network Replenishment (ANR)	Supported		
Alarm			
Alarm Triggers	Alarm input / Network disconnect / Disk full / Disk error		
Intelligent	Motion detection / Tampering / Guard line / Enter guard area / Exit guard area		
Alarm Events	Alarm report / Recording / Text overlay / Snapshot / External output / Email notice / Acoustic alarm		
Interfaces			
Ethernet	10/100M, RJ45 interface		
Audio In / Out	1 x Line in / 1 x Line out		
Alarm In / Out	2 x Input / 1 x Output		
Memory Slot	Built-in SD card (optional), supports up to 128GB		
Environmental			
Operating Temperature	-40°C ~ 70°C / -40°F ~ 158°F		
Operating Humidity	10% ~ 95%		
Protection Level	IP66, TVS 6000V lightning protection, surge protection and voltage transient protection		
Electrical			
Power	24V AC / 3A (Power adapter included) / 24V AC / 3A (Power adapter not included) / Hi-PoE (PSE module included)		
Power Consumption	Max. 35W (IR on)		
Mechanical			
Weight	6.6 kg / 14.55lb (Gross Weight)		
Dimensions	Φ222.7 × 339.5mm / Φ8.77" × 13.35"		

IPC425-G245-N

2.0MP Starlight HD 45x Network IR Speed Dome Camera



Features

Excellent Image Quality

- 2.0 Megapixel 1/1.9" progressive scan CMOS sensor
- High definition and smooth picture, 1080p@30fps
- H.265 video codec, saves up to 50% bandwidth and storage
- Ultra low illumination, 0.002lux with color picture
- IR automatically adjusts
- WDR / HLC / 3D noise reduction

Intelligent Functions

- Motion detection / Tampering

Long Operation Lifespan

- Industrial components, withstands operation temperatures of -40°C ~ 70°C
- IP66, TVS 6000V lightning protection, surge protection and voltage transient protection

Large Scale

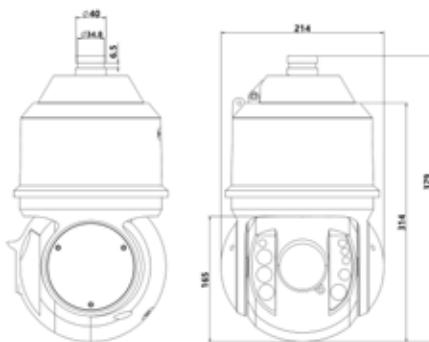
- 45x optical zoom
- IR distance up to 220m

Abundant Functions and Features

- Built-in EMMC (32G included), supports Automatic Network Replenishment (ANR)
- Up to 3 Multi-stream
- Bi-directional audio / alarm in and out / RS485
- Built-in GPS

Dimensions

Units: mm

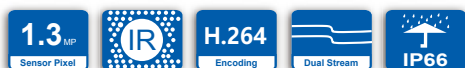


Specifications

IPC425-G245-N	
Camera	IPC425-G245-N
Image Sensor	1/1.9" progressive scan CMOS
Pixels	2.0 Megapixel
Min. Illumination	Color: 0.002lux @ (F1.6, AGC ON) B/W: 0.0002lux @ (F1.6, AGC ON); 0lux with IR
Shutter Speed	1 ~ 1/30,000s
Day / Night	Auto (ICR) / Color / B/W
Wide Dynamic Range	Digital WDR
S/N Ratio	> 55dB
White Balance	Auto / Manual
Gain Control	Auto / Manual
Backlight Compensation	Off / WDR / BLC / HLC
Lens	
Focal Length	4.9 ~ 220.5mm, 45x optical
Zoom Speed	Approx 3s (Optical)
Angle of View	61° ~ 1.8° (Wide~Tele)
Min. Object Distance	300 ~ 1500mm (Wide~Tele)
Max. Aperture Ratio	F1.2 (Wide) / F3.5 (Tele)
Focus Control	Auto / Manual / Semi-Automatic
Infrared	
IR LED	9pcs IR LED Array
IR Distance	180 ~ 220m
IR Intensity	Automatically adjust according to zoom ratio
Pan and Tilt	
Pan / Tilt Range	360° Endless / -15° ~ 90° (Auto Flip)
Pan / Tilt Speed	Pan manual speed: 0.1° ~ 240°/s; Pan preset speed: 300°/s Tilt manual speed: 0.1° ~ 160°/s; Tilt preset speed: 240°/s
Proportional Zoom	Pan / Tilt speed can be adjusted automatically according to zoom multiples
Preset	256
Patrol	8 Patrols scheme, up to 32 presets per patrol
Pattern Scan	4 Scan paths, each path can record 10 minutes of operation path
Power-off Memory	Power-off memory / Power-on recovery
Auto Guard	Path / Preset / Mixed / Pan scan / Tilt scan / Frame scan / Random scan / Panorama scan
PT Limit	Manual / Scan / Pan
3D Positioning	PTZ control with mouse click and drag
Video	
Compression	H.265 / H.264 / MJPEG
Image Resolution	Main stream: 1080p Secondary stream: D1
Frame Rate	Main stream: 1080p@30fps Secondary stream: D1@30fps
Bitrate	32kbps ~ 16Mbps
Bitrate Control	VBR / CBR
Multi-stream	Supported
Caption	Date and time / Alarm / Direction / Customized
Privacy Masking	Up to 4 zones
Motion Detection	Up to 4 zones
Video Freeze	Supported
ROI	Supported
Digital Noise Reduction	3D noise reduction
Digital Defog	Supported
Image Flip	Flip / Mirror
Audio	
Compression	G.711a / G.711u / ADPCM / G.722 / AAC-LC / G.722.1c / G.726
Bitrate	32kbps ~ 64kbps
Audio Function	Bi-directional audio / AEC / Mixed audio recording / Dumb / Mute
Network	
Network Protocols	TCP/IP, UDP, HTTP, DHCP, DNS/DDNS, RTP/RTCP, RTSP, PPPoE, FTP, VSIP, UPnP, 802.1x, NAT, QoS, SMTP, IPv4, IPv6 (optional)
User Interface	IPC Control (IE, Firefox, Chrome)
Max. User Access	Max. 10 Users (includes 2 internal)
Application Programming	ONVIF (Profile S, Profile G), GB/T 28181-2011, API, CGI
Automatic Network Replenishment (ANR)	Supported
Location Technology	GPS
Alarm	
Alarm Triggers	Alarm input / Network disconnect / Disk full / Disk error
Intelligent	Motion detection / Tampering
Alarm Events	Alarm report / Recording / Text overlay / Snapshot / External output / Email notice / Acoustic alarm
Interfaces	
Ethernet	10/100M, RJ45 interface
Audio In / Out	1 x Line in / 1 x Line out
Control	1 x RS485
Alarm In / Out	4 x Input / 2 x Output
Memory Slot	Built-in EMMC (32G included)
Environmental	
Operating Temperature	-40°C ~ 70°C / -40°F ~ 158°F
Operating Humidity	10% ~ 95%
Protection Level	IP66, TVS 6000V lightning protection, surge protection and voltage transient protection
Electrical	
Power	24V AC / 3A (Power adapter included)
Power Consumption	Max. 45W (Laser on)
Mechanical	
Weight	8 kg / 17.6lb (Gross Weight)
Dimensions	Φ214x 379mm / Φ8.43" x 14.92"

IPC415-E120-N

1.3MP HD 16x Network IR Speed Dome Camera



Features

Excellent Image Quality

- 1.3 Megapixel 1/3" progressive scan CMOS sensor
- High definition and smooth picture, 960p@30fps
- H.264 high profile video codec, saves up to 30% bandwidth and storage
- Low illumination, 0.03lux with color picture
- WDR support / IR automatically adjusts / 3D noise reduction

Long Operation Lifespan

- Industrial IR LED and components, withstands operation temperatures of -40°C ~ 70°C
- IP66, TVS 6000V lightning protection, surge protection and voltage transient protection

Large Scale

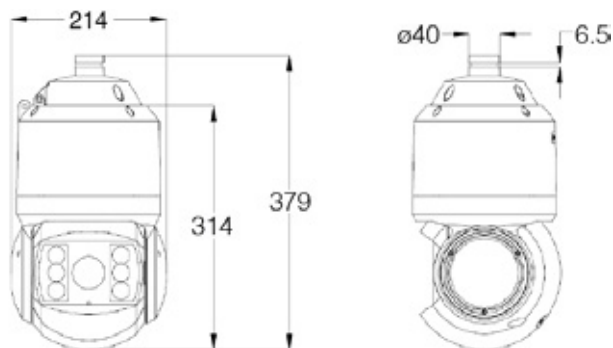
- 16x optical zoom
- IR distance up to 150m

Abundant Functions and Features

- SD card slot, supports Automatic Network Replenishment (ANR)
- Dual-stream (960p+D1)
- Bi-directional audio / alarm in and out

Dimensions

Units: mm



Specifications

	IPC415-E120-N
Camera	
Image Sensor	1/3" progressive scan CMOS
Pixels	1.3 Megapixel
Min. Illumination	Color: 0.03lux @ (F1.6, AGC ON) B/W: 0.003lux @ (F1.6, AGC ON)
Shutter Speed	1/10 ~ 1/10,000s
Day / Night	Auto (ICR) / Color / B/W
Wide Dynamic Range	Digital WDR
S/N Ratio	>55dB
White Balance	Auto / Manual
Gain Control	Auto / Manual
Backlight Compensation	Off / BLC / WDR
Lens	
Focal Length	6 ~ 96mm, 16x optical
Zoom Speed	Approx 3s (Optical)
Angle of View	56° ~ 3.6° (Wide~Tele)
Min. Object Distance	300 ~ 1000mm (Wide~Tele)
Max. Aperture Ratio	F1.5 (Wide) / F3.6 (Tele)
Focus Control	Auto / Manual / Semi-Automatic
Infrared	
IR LED	6pcs IR LED Array
IR Distance	100 ~ 150m
IR Intensity	Automatically adjust according to zoom ratio
Pan and Tilt	
Pan / Tilt Range	360° Endless / -15° ~ 90° (Auto Flip)
Pan / Tilt Speed	Pan manual speed: 0.1° ~ 175°/s; Pan preset speed: 193°/s Tilt manual speed: 0.1° ~ 130°/s; Tilt preset speed: 160°/s
Proportional Zoom	Pan / Tilt speed can be adjusted automatically according to zoom multiples
Preset	255
Patrol	8 Patrols scheme, up to 32 presets per patrol
Pattern Scan	4 Scan paths, each path can record 10 minutes of operation path
Power-off Memory	Power-off memory / Power-on recovery
Auto Guard	Patrol / Preset / Pattern Scan / Pan scan / Tilt scan / Frame scan / Random scan / Panorama scan
PT Limit	Manual / Scan / Pan
3D Positioning	PTZ control with mouse click and drag
Video	
Compression	H.264
Image Resolution	Main stream: 960p Secondary stream: D1
Frame Rate	Main stream: 960p@30fps Secondary stream: D1@30fps
Bitrate	64kbps ~ 8Mbps
Bitrate Control	VBR / CBR
Dual-stream	Supported
Caption	Date and time / Alarm / Customized
Privacy Masking	Up to 4 zones
Motion Detection	Up to 4 zones
Video Freeze	Supported
Digital Noise Reduction	3D noise reduction
Image Flip	Flip / Mirror
Electronic Defog	Supported
Image Flip	Flip / Mirror
Audio	
Compression	G.711a / G.711u / ADPCM / G.722 / AAC-LC
Bitrate	32kbps ~ 64kbps
Audio Function	Bi-directional audio / AEC / Mixed audio recording / Dumb / Mute
Network	
Network Protocols	TCP/IP, UDP, HTTP, DHCP, DNS/DDNS, RTP/RTCP, RTSP, PPPoE, FTP, VSIP, IPv4, IPv6 (optional)
User Interface	IPC Control (IE)
Max. User Access	Max. 10 Users (includes 2 internal)
Application Programming	ONVIF (Profile S), GB/T 28181-2011, API, CGI
Automatic Network Replenishment (ANR)	Supported
Alarm	
Alarm Triggers	Motion detection / Alarm input
Alarm Events	Alarm caption / Snapshot / External output
Interfaces	
Ethernet	10/100M, RJ45 interface
Audio In / Out	1 x Line in / 1 x Line out
Alarm In / Out	2 x Input / 1 x Output
Memory Slot	SD card slot, supports up to 128GB
Memory Slot	Built-in EMMC (32G included)
Environmental	
Operating Temperature	-40°C ~ 70°C / -40°F ~ 158°F
Operating Humidity	10% ~ 95%
Protection Level	IP66, TVS 6000V lightning protection, surge protection and voltage transient protection
Electrical	
Power	24V AC / 3A (Power adapter included)
Power Consumption	Max. 45W (IR on)
Mechanical	
Weight	8 kg / 17.6lb (Gross Weight)
Dimensions	Φ214× 379mm / Φ8.43"× 14.92"

IPC425-F120-N

2.0MP Starlight & Ultra WDR HD 20x IR Speed Dome Camera



Features

Excellent Image Quality

- 2.0 Megapixel 1/2.8" progressive scan CMOS sensor
- High definition and smooth picture, 1080p@30fps
- H.265 video codec, saves up to 50% bandwidth and storage
- Ultra low illumination, 0.003lux with color picture
- 120dB Ultra WDR
- IR automatically adjusts
- HLC / 3D noise reduction

Intelligent Functions

- Motion detection / Tampering / Guard line / Enter guard area / Exit guard area

Long Operation Lifespan

- Industrial components, withstands operation temperatures of -40°C ~ 70°C
- IP66, TVS 6000V lightning protection, surge protection and voltage transient protection

Large Scale

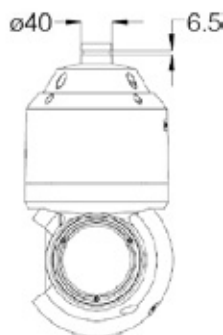
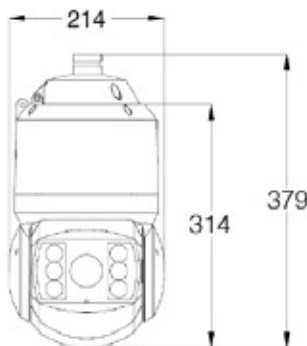
- 20x optical zoom
- IR distance up to 180m

Abundant Functions and Features

- SD card slot, supports Automatic Network Replenishment (ANR)
- Up to 3 video streams
- Bi-directional audio / alarm in&out
- Built-in O-sensor

Dimensions

Units: mm



Specifications

IPC425-F120-N	
Camera	IPC425-F120-N
Image Sensor	1/2.8" progressive scan CMOS
Pixels	2.0 Megapixel
Min. Illumination	Color: 0.003lux @ (F1.6, AGC ON) B/W: 0.0003lux @ (F1.6, AGC ON); 0lux with IR
Shutter Speed	1 ~ 1/30,000s
Day / Night	Auto (ICR) / Color / B/W
Wide Dynamic Range	Ultra WDR, >=120dB
S/N Ratio	>=58dB
White Balance	Auto / Manual
Gain Control	Auto / Manual
Backlight Compensation	Off / WDR / BLC / HLC
Lens	
Focal Length	6 ~ 96mm, 16x optical
Zoom Speed	Approx 3s (Optical)
Angle of View	56° ~ 3.6° (Wide~Tele)
Min. Object Distance	300 ~ 1000mm (Wide~Tele)
Max. Aperture Ratio	F1.5 (Wide) / F3.6 (Tele)
Focus Control	Auto / Manual / Semi-Automatic
Infrared	
IR LED	6pcs IR LED Array
IR Distance	120 ~ 180m
IR Intensity	Automatically adjust according to zoom ratio
Pan and Tilt	
Pan / Tilt Range	360° Endless / -15° ~ 90° (Auto Flip)
Pan / Tilt Speed	Pan manual speed: 0.1° ~ 200°/s; Pan preset speed: 220°/s Tilt manual speed: 0.1° ~ 150°/s; Tilt preset speed: 200°/s
Proportional Zoom	Pan / Tilt speed can be adjusted automatically according to zoom multiples
Preset	256
Patrol	8 Patrols scheme, up to 32 presets per patrol
Pattern Scan	4 Scan paths, each path can record 10 minutes of operation path
Power-off Memory	Power-off memory / Power-on recovery
Auto Guard	Path / Preset / Mixed / Pan scan / Tilt scan / Frame scan / Random scan / Panorama scan
PT Limit	Manual / Scan / Pan
3D Positioning	PTZ control with mouse click and drag
Electronic compass	Built-in O-sensor
Video	
Compression	H.265 / H.264 / MJPEG
Image Resolution	Main stream: 1080p Secondary stream: D1
Frame Rate	Main stream: 1080p@30fps Secondary stream: D1@30fps
Bitrate	32kbps ~ 16Mbps
Bitrate Control	VBR / CBR
Multi-stream	Supported
Caption	Date and time / Alarm / Direction / Customized
Privacy Masking	Up to 4 zones
Motion Detection	Up to 4 zones
Video Freeze	Supported
ROI	Supported
Digital Noise Reduction	3D noise reduction
Digital Defog	Supported
Image Flip	Flip / Mirror
Audio	
Compression	G.711a / G.711u / ADPCM / G.722 / AAC-LC / G.722.1c / G.726
Bitrate	32kbps ~ 64kbps
Audio Function	Bi-directional audio / AEC / Mixed audio recording / Dumb / Mute
Network	
Network Protocols	TCP/IP, UDP, HTTP, DHCP, DNS/DDNS, RTP/RTCP, RTSP, PPPoE, FTP, VSIP, UPnP, 802.1x, NAT, QoS, SMTP, IPv4, IPv6 (optional)
User Interface	IPC Control (IE, Firefox, Chrome)
Max. User Access	Max. 10 Users (includes 2 internal)
Application Programming	ONVIF (Profile S, Profile G), GB/T 28181-2011, API, CGI
Automatic Network Replenishment (ANR)	Supported
Alarm	
Alarm Triggers	Alarm input / Network disconnect / Disk full / Disk error
Intelligent	Motion detection / Tampering / Guard line / Enter guard area / Exit guard area
Alarm Events	Alarm report / Recording / Text overlay / Snapshot / External output / Email notice / Acoustic alarm
Interfaces	
Ethernet	10/100M, RJ45 interface
Audio In / Out	1 x Line in / 1 x Line out
Alarm In / Out	2 x Input / 1 x Output
Memory Slot	SD card slot, supports up to 128GB
Environmental	
Operating Temperature	-40°C ~ 70°C / -40°F ~ 158°F
Operating Humidity	10% ~ 95%
Protection Level	IP66, TVS 6000V lightning protection, surge protection and voltage transient protection
Electrical	
Power	24V AC / 3A (Power adapter included)
Power Consumption	Max. 45W (IR on)
Mechanical	
Weight	8 kg / 17.6lb (Gross Weight)
Dimensions	Ø214x 379mm / Ø8.43" x 14.92"

IPC425-F223-N

2.0MP Starlight & Ultra WDR HD 23x IR Speed Dome Camera



Features

Excellent Image Quality

- 2.0 Megapixel 1/1.9" progressive scan CMOS sensor
- High definition and smooth picture, 1080p@60fps
- H.265 video codec, saves up to 50% bandwidth and storage
- Ultra low illumination, 0.001lux with color picture
- 120dB Ultra WDR
- IR automatically adjusts
- HLC / 3D noise reduction

Intelligent Functions

- Motion detection / Tampering / Guard line / Enter guard area / Exit guard area / Object left / Object removal / Gathering / Audio surge

Long Operation Lifespan

- Industrial components, withstands operation temperatures of -40°C ~ 70°C
- IP66, TVS 6000V lightning protection, surge protection and voltage transient protection

Large Scale

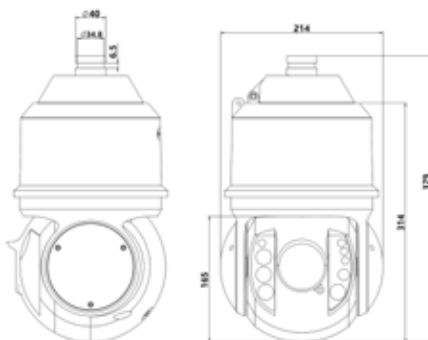
- 23x optical zoom
- IR distance up to 220m

Abundant Functions and Features

- SD card slot, supports Automatic Network Replenishment (ANR)
- Up to 3 video streams
- Bi-directional audio / alarm in and out / video out / RS485
- Built-in O-sensor

Dimensions

Units: mm



Specifications

	IPC425-F223-N
Camera	
Image Sensor	1/1.9" progressive scan CMOS
Pixels	2.0 Megapixel
Min. Illumination	Color: 0.001lux @ (F1.5, AGC ON) B/W: 0.0001lux @ (F1.5, AGC ON); 0lux with IR
Shutter Speed	1 ~ 1/30,000s
Day / Night	Auto (ICR) / Color / B/W
Wide Dynamic Range	Ultra WDR, >=120dB
S/N Ratio	>=58dB
White Balance	Auto / Manual
Gain Control	Auto / Manual
Backlight Compensation	Off / WDR / BLC / HLC
Lens	
Focal Length	6 ~ 138mm, 23x optical
Zoom Speed	Approx 3s (Optical)
Angle of View	70° ~ 3.76° (Wide~Tele)
Min. Object Distance	300 ~ 1500mm (Wide~Tele)
Max. Aperture Ratio	F1.5 (Wide) / F3.4 (Tele)
Focus Control	Auto / Manual / Semi-Automatic
Infrared	
IR LED	9pcs IR LED Array
IR Distance	180 ~ 220m
IR Intensity	Automatically adjust according to zoom ratio
Pan and Tilt	
Pan / Tilt Range	360° Endless / -15° ~ 90° (Auto Flip)
Pan / Tilt Speed	Pan manual speed: 0.1° ~ 200°/s; Pan preset speed: 220°/s Tilt manual speed: 0.1° ~ 150°/s; Tilt preset speed: 200°/s
Proportional Zoom	Pan / Tilt speed can be adjusted automatically according to zoom multiples
Preset	256
Patrol	8 Patrols scheme, up to 32 presets per patrol
Pattern Scan	4 Scan paths, each path can record 10 minutes of operation path
Power-off Memory	Power-off memory / Power-on recovery
Auto Guard	Path / Preset / Mixed / Pan scan / Tilt scan / Frame scan / Random scan / Panorama scan
PT Limit	Manual / Scan / Pan
3D Positioning	PTZ control with mouse click and drag
Electronic compass	Built-in O-sensor
Video	
Compression	H.265 / H.264 / MJPEG
Image Resolution	Main stream: 1080p Secondary stream: D1
Frame Rate	Main stream: 1080p@60fps Secondary stream: D1@30fps
Bitrate	32kbps ~ 16Mbps
Bitrate Control	VBR / CBR
Multi-stream	Supported
Caption	Date and time / Alarm / Direction / Customized
Privacy Masking	Up to 4 zones
Motion Detection	Up to 4 zones
Video Freeze	Supported
ROI	Supported
Digital Noise Reduction	3D noise reduction
Digital Defog	Supported
Image Flip	Flip / Mirror
Audio	
Compression	G.711a / G.711u / ADPCM / G.722 / AAC-LC / G.722.1c / G.726
Bitrate	32kbps ~ 64kbps
Audio Function	Bi-directional audio / AEC / Mixed audio recording / Dumb / Mute
Network	
Network Protocols	TCP/IP, UDP, HTTP, DHCP, DNS/DDNS, RTP/RTCP, RTSP, PPPoE, FTP, VSIP, UPnP, 802.1x, NAT, QoS, SMTP, IPv4, IPv6 (optional)
User Interface	IPC Control (IE, Firefox, Chrome)
Max. User Access	Max. 10 Users (includes 2 internal)
Application Programming	ONVIF (Profile S, Profile G), GB/T 28181-2011, API, CGI
Automatic Network Replenishment (ANR)	Supported
Alarm	
Alarm Triggers	Alarm input / Network disconnect / Disk full / Disk error
Intelligent	Motion detection / Tampering / Guard line / Enter guard area / Exit guard area / Object left / Object removal / Gathering / Audio surge
Alarm Events	Alarm report / Recording / Text overlay / Snapshot / External output / Email notice / Acoustic alarm
Interfaces	
Ethernet	10/100M, RJ45 interface
Audio In / Out	1 x Line in / 1 x Line out
Control	1 x RS485
Alarm In / Out	4 x Input / 2 x Output
Video Out	1 x BNC, 1.0V [p-p] / 75Ω
Memory Slot	SD card slot, supports up to 128GB
Environmental	
Operating Temperature	-40°C ~ 70°C / -40°F ~ 158°F
Operating Humidity	10% ~ 95%
Protection Level	IP66, TVS 6000V lightning protection, surge protection and voltage transient protection
Electrical	
Power	24V AC / 3A (Power adapter included)
Power Consumption	Max. 45W (IR on)
Mechanical	
Weight	8 kg / 17.6lb (Gross Weight)
Dimensions	Φ214× 379mm / Φ8.43" x 14.92"

IPC425-F233-N

2.0MP Starlight & Ultra WDR HD 33x Network IR Speed Dome Camera



Features

Excellent Image Quality

- 2.0 Megapixel 1/2.8" progressive scan CMOS sensor
- High definition and smooth picture, 1080p@60fps
- H.265 video codec, saves up to 50% bandwidth and storage
- Ultra low illumination, 0.003lux with color picture
- 120dB Ultra WDR
- IR automatically adjusts
- HLC / 3D noise reduction

Intelligent Functions

- Motion detection / Tampering / Guard line / Enter guard area / Exit guard area / Object left / Object removal / Gathering / Audio surge

Long Operation Lifespan

- Industrial components, withstands operation temperatures of -40°C ~ 70°C
- IP66, TVS 6000V lightning protection, surge protection and voltage transient protection

Large Scale

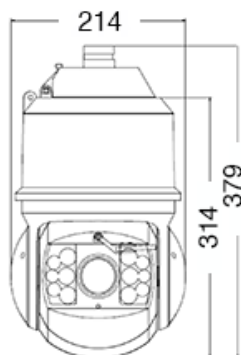
- 33x optical zoom
- IR distance up to 220m

Abundant Functions and Features

- SD card slot, supports Automatic Network Replenishment (ANR)
- Up to 3 Multi-stream
- Bi-directional audio / alarm in and out / video out / RS485
- Built-in O-sensor
- Wiper

Dimensions

Units: mm



Specifications

IPC425-F233-N	
Camera	IPC425-F233-N
Image Sensor	1/2.8" progressive scan CMOS
Pixels	2.0 Megapixel
Min. Illumination	Color: 0.003lux @ (F1.6, AGC ON) B/W: 0.0003lux @ (F1.6, AGC ON); 0lux with IR
Shutter Speed	1 ~ 1/30,000s
Day / Night	Auto (ICR) / Color / B/W
Wide Dynamic Range	Ultra WDR, >=120dB
S/N Ratio	>55dB
White Balance	Auto / Manual
Gain Control	Auto / Manual
Backlight Compensation	Off / WDR / BLC / HLC
Lens	
Focal Length	4.5 ~ 148.5mm, 33x optical
Zoom Speed	Approx 3s (Optical)
Angle of View	67.8° ~ 2.34° (Wide~Tele)
Min. Object Distance	300 ~ 1500mm (Wide~Tele)
Max. Aperture Ratio	F1.6 (Wide) / F4.4 (Tele)
Focus Control	Auto / Manual / Semi-Automatic
Infrared	
IR LED	12pcs IR LED Array
IR Distance	180 ~ 220m
IR Intensity	Automatically adjust according to zoom ratio
Pan and Tilt	
Pan / Tilt Range	360° Endless / -15° ~ 90° (Auto Flip)
Pan / Tilt Speed	Pan manual speed: 0.1° ~ 200°/s; Pan preset speed: 220°/s Tilt manual speed: 0.1° ~ 150°/s; Tilt preset speed: 200°/s
Proportional Zoom	Pan / Tilt speed can be adjusted automatically according to zoom multiples
Preset	256
Patrol	8 Patrols scheme, up to 32 presets per patrol
Pattern Scan	4 Scan paths, each path can record 10 minutes of operation path
Power-off Memory	Power-off memory / Power-on recovery
Auto Guard	Path / Preset / Mixed / Pan scan / Tilt scan / Frame scan / Random scan / Panorama scan
PT Limit	Manual / Scan / Pan
3D Positioning	PTZ control with mouse click and drag
Electronic compass	Built-in O-sensor
Wiper	Supported
Video	
Compression	H.265 / H.264 / MJPEG
Image Resolution	Main stream: 1080p Secondary stream: D1
Frame Rate	Main stream: 1080p@60fps Secondary stream: D1@30fps
Bitrate	32kbps ~ 16Mbps
Bitrate Control	VBR / CBR
Multi-stream	Supported
Caption	Date and time / Alarm / Direction / Customized
Privacy Masking	Up to 4 zones
Motion Detection	Up to 4 zones
Video Freeze	Supported
ROI	Supported
Digital Noise Reduction	3D noise reduction
Digital Defog	Supported
Image Flip	Flip / Mirror
Audio	
Compression	G.711a / G.711u / ADPCM / G.722 / AAC-LC / G.722.1c / G.726
Bitrate	32kbps ~ 64kbps
Audio Function	Bi-directional audio / AEC / Mixed audio recording / Dumb / Mute
Network	
Network Protocols	TCP/IP, UDP, HTTP, DHCP, DNS/DDNS, RTP/RTCP, RTSP, PPPoE, FTP, VSIP, UPnP, 802.1x, NAT, QoS, SMTP, IPv4, IPv6 (optional)
User Interface	IPC Control (IE, Firefox, Chrome)
Max. User Access	Max. 10 Users (Includes 2 internal)
Application Programming	ONVIF (Profile S, Profile G), GB/T 28181-2011, API, CGI
Automatic Network Replenishment (ANR)	Supported
Alarm	
Alarm Triggers	Alarm input / Network disconnect / Disk full / Disk error
Intelligent	Motion detection / Tampering / Guard line / Enter guard area / Exit guard area / Object left / Object removal / Gathering / Audio surge
Alarm Events	Alarm report / Recording / Text overlay / Snapshot / External output / Email notice / Acoustic alarm
Interfaces	
Ethernet	10/100M, RJ45 interface
Audio In / Out	1 x Line in / 1 x Line out
Control	1 x RS485
Alarm In / Out	4 x Input / 2 x Output
Video Out	1 x BNC, 1.0V [p-p] / 75Ω
Memory Slot	SD card slot, supports up to 128GB
Environmental	
Operating Temperature	-40°C ~ 70°C / -40°F ~ 158°F
Operating Humidity	10% ~ 95%
Protection Level	IP66, TVS 6000V lightning protection, surge protection and voltage transient protection
Electrical	
Power	24V AC / 3A (Power adapter included)
Power Consumption	Max. 45W (IR on)
Mechanical	
Weight	8 kg / 17.6lb (Gross Weight)
Dimensions	Φ214x 379mm / Φ8.43" x 14.92"

IPC425-F233-NL

2.0MP HD 33x Network Laser Speed Dome Camera



Features

Excellent Image Quality

- 2.0 Megapixel 1/2.8" progressive scan CMOS sensor
- High definition and smooth picture, 1080p@60fps
- H.265 video codec, saves up to 50% bandwidth and storage
- Ultra low illumination, 0.003lux with color picture
- 120dB Ultra WDR
- Laser automatically adjusts
- HLC / 3D noise reduction

Intelligent Functions

- Motion detection / Tampering / Guard line / Enter guard area / Exit guard area / Object left / Object removal / Gathering / Audio surge

Long Operation Lifespan

- Industrial components, withstands operation temperatures of -40°C ~ 70°C
- IP66, TVS 6000V lightning protection, surge protection and voltage transient protection

Large Scale

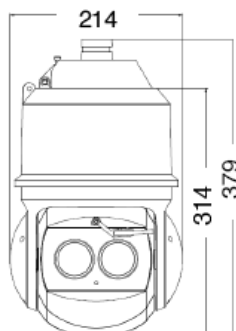
- 33x optical zoom
- Laser distance up to 500m

Abundant Functions and Features

- SD card slot, supports Automatic Network Replenishment (ANR)
- Up to 3 Multi-stream
- Bi-directional audio / alarm in and out / video out / RS485
- Built-in O-sensor
- Wiper

Dimensions

Units: mm



Specifications

IPC425-F233-NL	
Camera	
Image Sensor	1/2.8" progressive scan CMOS
Pixels	2.0 Megapixel
Min. Illumination	Color: 0.003lux @ (F1.6, AGC ON) B/W: 0.0003lux @ (F1.6, AGC ON); 0lux with IR
Shutter Speed	1 ~ 1/30,000s
Day / Night	Auto (ICR) / Color / B/W
Wide Dynamic Range	Ultra WDR, >=120dB
S/N Ratio	>55dB
White Balance	Auto / Manual
Gain Control	Auto / Manual
Backlight Compensation	Off / WDR / BLC / HLC
Lens	
Focal Length	4.5 ~ 148.5mm, 33x optical
Zoom Speed	Approx 3s (Optical)
Angle of View	67.8° ~ 2.34° (Wide~Tele)
Min. Object Distance	300 ~ 1500mm (Wide~Tele)
Max. Aperture Ratio	F1.6 (Wide) / F4.4 (Tele)
Focus Control	Auto / Manual / Semi-Automatic
Laser	
Laser Distance	300 ~ 500m
Laser Intensity	Automatically adjust according to zoom ratio
Pan and Tilt	
Pan / Tilt Range	360° Endless / -15° ~ 90° (Auto Flip)
Pan / Tilt Speed	Pan manual speed: 0.1° ~ 200°/s; Pan preset speed: 220°/s Tilt manual speed: 0.1° ~ 150°/s; Tilt preset speed: 200°/s
Proportional Zoom	Pan / Tilt speed can be adjusted automatically according to zoom multiples
Preset	256
Patrol	8 Patrols scheme, up to 32 presets per patrol
Pattern Scan	4 Scan paths, each path can record 10 minutes of operation path
Power-off Memory	Power-off memory / Power-on recovery
Auto Guard	Path / Preset / Mixed / Pan scan / Tilt scan / Frame scan / Random scan / Panorama scan
PT Limit	Manual / Scan / Pan
3D Positioning	PTZ control with mouse click and drag
Electronic compass	Built-in O-sensor
Wiper	Supported
Video	
Compression	H.265 / H.264 / MJPEG
Image Resolution	Main stream: 1080p Secondary stream: D1
Frame Rate	Main stream: 1080p@60fps Secondary stream: D1@30fps
Bitrate	32kbps ~ 16Mbps
Bitrate Control	VBR / CBR
Multi-stream	Supported
Caption	Date and time / Alarm / Direction / Customized
Privacy Masking	Up to 4 zones
Motion Detection	Up to 4 zones
Video Freeze	Supported
ROI	Supported
Digital Noise Reduction	3D noise reduction
Digital Defog	Supported
Image Flip	Flip / Mirror
Audio	
Compression	G.711a / G.711u / ADPCM / G.722 / AAC-LC / G.722.1c / G.726
Bitrate	32kbps ~ 64kbps
Audio Function	Bi-directional audio / AEC / Mixed audio recording / Dumb / Mute
Network	
Network Protocols	TCP/IP, UDP, HTTP, DHCP, DNS/DDNS, RTP/RTCP, RTSP, PPPoE, FTP, VSIP, UPnP, 802.1x, NAT, QoS, SMTP, IPv4, IPv6 (optional)
User Interface	IPC Control (IE, Firefox, Chrome)
Max. User Access	Max. 10 Users (includes 2 internal)
Application Programming	ONVIF (Profile S, Profile G), GB/T 28181-2011, API, CGI
Automatic Network Replenishment (ANR)	Supported
Alarm	
Alarm Triggers	Alarm input / Network disconnect / Disk full / Disk error
Intelligent	Motion detection / Tampering / Guard line / Enter guard area / Exit guard area / Object left / Object removal / Gathering / Audio surge
Alarm Events	Alarm report / Recording / Text overlay / Snapshot / External output / Email notice / Acoustic alarm
Interfaces	
Ethernet	10/100M, RJ45 interface
Audio In / Out	1 x Line in / 1 x Line out
Control	1 x RS485
Alarm In / Out	4 x Input / 2 x Output
Video Out	1 x BNC, 1.0V [p-p] / 75Ω
Memory Slot	SD card slot, supports up to 128GB
Environmental	
Operating Temperature	-40°C ~ 70°C / -40°F ~ 158°F
Operating Humidity	10% ~ 95%
Protection Level	IP66, TVS 6000V lightning protection, surge protection and voltage transient protection
Electrical	
Power	24V AC / 3A (Power adapter included)
Power Consumption	Max. 45W (Laser on)
Mechanical	
Weight	8 kg / 17.6lb (Gross Weight)
Dimensions	Φ214x 379mm / Φ8.43" x 14.92"

IPC445-H120-N

4.0MP HD 20x Speed Dome Camera



Features

Excellent Image Quality

- 4.0 Megapixel 1/3" progressive scan CMOS sensor
- High definition and smooth picture, 2592 x 1520@20fps, 2560 x 1440@25fps
- H.265 video codec, saves up to 50% bandwidth and storage
- Low illumination, 0.02lux with color picture
- IR automatically adjusts
- WDR / 3D noise reduction / HLC / BLC

Intelligent Functions

- Motion detection / Tampering / Guard line / Enter guard area / Exit guard area

Long Operation Lifespan

- Industrial components, withstands operation temperatures of -40°C ~ 70°C
- IP66, TVS 6000V lightning protection, surge protection and voltage transient protection

Large Scale

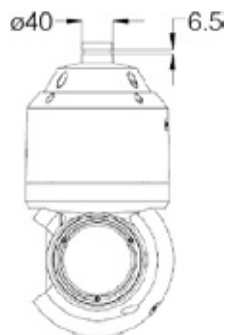
- 20x optical zoom
- IR distance up to 180m

Abundant Functions and Features

- SD card slot, supports Automatic Network Replenishment (ANR)
- Up to 3 video streams
- Bi-directional audio / alarm in and out
- Built-in O-sensor

Dimensions

Units: mm



Specifications

IPC445-H120-N	
Camera	IPC445-H120-N
Image Sensor	1/3" progressive scan CMOS
Pixels	4.0 Megapixel
Min. Illumination	Color: 0.02lux @ (F1.5, AGC ON) B/W: 0.002lux @ (F1.5, AGC ON); 0lux with IR
Shutter Speed	1 ~ 1/30,000s
Day / Night	Auto (ICR) / Color / B/W
Wide Dynamic Range	Digital WDR
S/N Ratio	> 55dB
White Balance	Auto / Manual
Gain Control	Auto / Manual
Backlight Compensation	Off / WDR / BLC / HLC
Lens	
Focal Length	4.7 ~ 94mm, 20x
Zoom Speed	Approx 3s (Optical)
Angle of View	61° ~ 3.64° (Wide~Tele)
Min. Object Distance	300 ~ 1500mm (Wide~Tele)
Max. Aperture Ratio	F1.5 (Wide) / F3.0 (Tele)
Focus Control	Auto / Manual / Semi-Automatic
Infrared	
IR LED	6 pcs IR LED Array
IR Distance	120 ~ 180m
IR Intensity	Automatically adjust according to zoom ratio
Pan and Tilt	
Pan / Tilt Range	360° Endless / -15° ~ 90° (Auto Flip)
Pan / Tilt Speed	Pan manual speed: 0.1° ~ 200°/s; Pan preset speed: 220°/s Tilt manual speed: 0.1° ~ 150°/s; Tilt preset speed: 200°/s
Proportional Zoom	Pan / Tilt speed can be adjusted automatically according to zoom multiples
Preset	256
Patrol	8 Patrols scheme, up to 32 presets per patrol
Pattern Scan	4 Scan paths, each path can record 10 minutes of operation path
Power-off Memory	Power-off memory / Power-on recovery
Auto Guard	Path / Preset / Mixed / Pan scan / Tilt scan / Frame scan / Random scan / Panorama scan
PT Limit	Manual / Scan / Pan
3D Positioning	PTZ control with mouse click and drag
Electronic compass	Built-in O-sensor
Video	
Compression	H.265 / H.264 / MJPEG
Image Resolution	Main stream: 2592 x 1520 Secondary stream: D1
Frame Rate	Main stream: 2592 x 1520@20fps, 2560 x 1440@25fps, 1080p@30fps Secondary stream: D1@30fps
Bitrate	32kbps ~ 16Mbps
Bitrate Control	VBR / CBR
Multi-stream	Supported
Caption	Date and time / Alarm / Direction / Customized
Privacy Masking	Up to 4 zones
Motion Detection	Up to 4 zones
Video Freeze	Supported
ROI	Supported
Digital Noise Reduction	3D noise reduction
Digital Defog	Supported
Image Flip	Flip / Mirror
Audio	
Compression	G.711a / G.711u / ADPCM / G.722 / AAC-LC / G.722.1c / G.726
Bitrate	32kbps ~ 64kbps
Audio Function	Bi-directional audio / AEC / Mixed audio recording / Dumb / Mute
Network	
Network Protocols	TCP/IP, UDP, HTTP, DHCP, DNS/DDNS, RTP/RTCP, RTSP, PPPoE, FTP, VSIP, UPnP, 802.1x, NAT, QoS, SMTP, IPv4, IPv6 (optional)
User Interface	IPC Control (IE, Firefox, Chrome)
Max. User Access	Max. 10 Users (includes 2 internal)
Application Programming	ONVIF (Profile S, Profile G), GB/T 28181-2011, API, CGI
Automatic Network Replenishment (ANR)	Supported
Alarm	
Alarm Triggers	Alarm input / Network disconnect / Disk full / Disk error
Intelligent	Motion detection / Tampering / Guard line / Enter guard area / Exit guard area
Alarm Events	Alarm report / Recording / Text overlay / Snapshot / External output / Email notice / Acoustic alarm
Interfaces	
Ethernet	10/100M, RJ45 interface
Audio In / Out	1 x Line in / 1 x Line out
Alarm In / Out	2 x Input / 1 x Output
Memory Slot	SD card slot, supports up to 128GB
Environmental	
Operating Temperature	-40°C ~ 70°C / -40°F ~ 158°F
Operating Humidity	10% ~ 95%
Protection Level	IP66, TVS 6000V lightning protection, surge protection and voltage transient protection
Electrical	
Power	24V AC / 3A (Power adapter included)
Power Consumption	Max. 45W (IR on)
Mechanical	
Weight	8 kg / 17.6lb (Gross Weight)
Dimensions	Φ214x 379mm / Φ8.43" x 14.92"

IPC485-H233-N

8.0MP Ultra WDR HD 33x Network IR Speed Dome Camera



Features

Excellent Image Quality

- 8.0 Megapixel 1/1.7" progressive scan CMOS sensor
- High definition and smooth picture, 4096 x 2160@30fps
- H.265 video codec, saves up to 50% bandwidth and storage
- Low illumination, 0.02lux with color picture
- 120dB Ultra WDR
- IR automatically adjusts
- HLC / 3D noise reduction

Intelligent Functions

- Motion detection / Tampering / Guard line / Enter guard area / Exit guard area / Object left / Object removal / Gathering / Audio surge

Long Operation Lifespan

- Industrial components, withstands operation temperatures of -40°C ~ 70°C
- IP66, TVS 6000V lightning protection, surge protection and voltage transient protection

Large Scale

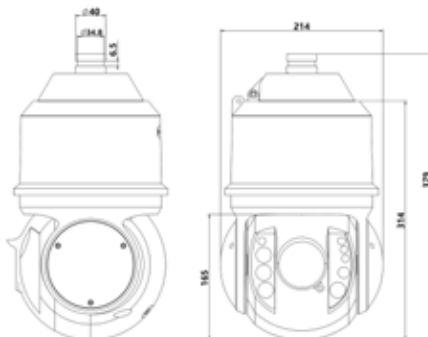
- 33x optical zoom
- IR distance up to 220m

Abundant Functions and Features

- SD card slot, supports Automatic Network Replenishment (ANR)
- Up to 3 video streams
- Bi-directional audio / alarm in and out
- Built-in O-sensor

Dimensions

Units: mm



Specifications

IPC485-H233-N	
Camera	IPC485-H233-N
Image Sensor	1/1.7" progressive scan CMOS
Pixels	8.0 Megapixel
Min. Illumination	Color: 0.02lux @ (F1.5, AGC ON) B/W: 0.002lux @ (F1.5, AGC ON); 0lux with IR
Shutter Speed	1 ~ 1/30,000s
Day / Night	Auto (ICR) / Color / B/W
Wide Dynamic Range	Ultra WDR, >=120dB
S/N Ratio	> 58dB
White Balance	Auto / Manual
Gain Control	Auto / Manual
Backlight Compensation	Off / WDR / BLC / HLC
Lens	
Focal Length	4.5 ~ 148.5mm, 33x optical
Zoom Speed	Approx 3s (Optical)
Angle of View	70° ~ 3.8° (Wide~Tele)
Min. Object Distance	300 ~ 1500mm (Wide~Tele)
Max. Aperture Ratio	F1.5 (Wide) / F3.4 (Tele)
Focus Control	Auto / Manual / Semi-Automatic
Infrared	
IR LED	9 pcs IR LED Array
IR Distance	180 ~ 220m
IR Intensity	Automatically adjust according to zoom ratio
Pan and Tilt	
Pan / Tilt Range	360° Endless / -15° ~ 90° (Auto Flip)
Pan / Tilt Speed	Pan manual speed: 0.1° ~ 240°/s; Pan preset speed: 300°/s Tilt manual speed: 0.1° ~ 160°/s; Tilt preset speed: 240°/s
Proportional Zoom	Pan / Tilt speed can be adjusted automatically according to zoom multiples
Preset	256
Patrol	8 Patrols scheme, up to 32 presets per patrol
Pattern Scan	4 Scan paths, each path can record 10 minutes of operation path
Power-off Memory	Power-off memory / Power-on recovery
Auto Guard	Path / Preset / Mixed / Pan scan / Tilt scan / Frame scan / Random scan / Panorama scan
PT Limit	Manual / Scan / Pan
3D Positioning	PTZ control with mouse click and drag
Electronic compass	Built-in O-sensor
Video	
Compression	H.265 / H.264 / MJPEG
Image Resolution	Main stream: 4K (4096x2160) Secondary stream: D1
Frame Rate	Main stream: 4K@30fps Secondary stream: D1@30fps
Bitrate	32kbps ~ 16Mbps
Bitrate Control	VBR / CBR
Multi-stream	Supported
Caption	Date and time / Alarm / Direction / Customized
Privacy Masking	Up to 4 zones
Motion Detection	Up to 4 zones
Video Freeze	Supported
ROI	Supported
Digital Noise Reduction	3D noise reduction
Digital Defog	Supported
Image Flip	Flip / Mirror
Audio	
Compression	G.711a / G.711u / ADPCM / G.722 / AAC-LC / G.722.1c / G.726
Bitrate	32kbps ~ 64kbps
Audio Function	Bi-directional audio / AEC / Mixed audio recording / Dumb / Mute
Network	
Network Protocols	TCP/IP, UDP, HTTP, DHCP, DNS/DDNS, RTP/RTCP, RTSP, PPPoE, FTP, VSIP, UPnP, 802.1x, NAT, QoS, SMTP, IPv4, IPv6 (optional)
User Interface	IPC Control (IE, Firefox, Chrome)
Max. User Access	Max. 10 Users (includes 2 internal)
Application Programming	ONVIF (Profile S, Profile G), GB/T 28181-2011, API, CGI
Automatic Network Replenishment (ANR)	Supported
Alarm	
Alarm Triggers	Alarm input / Network disconnect / Disk full / Disk error
Intelligent	Motion detection / Tampering / Guard line / Enter guard area / Exit guard area / Object left / Object removal / Gathering / Audio surge
Alarm Events	Alarm report / Recording / Text overlay / Snapshot / External output / Email notice / Acoustic alarm
Interfaces	
Ethernet	10/100M, RJ45 interface
Audio In / Out	1 x Line in / 1 x Line out
Control	1 x RS485
Alarm In / Out	4 x Input / 2 x Output
Video Out	1 x BNC, 1.0V [p-p] / 75Ω
Memory Slot	SD card slot, supports up to 128GB
Environmental	
Operating Temperature	-40°C ~ 70°C / -40°F ~ 158°F
Operating Humidity	10% ~ 95%
Protection Level	IP66, TVS 6000V lightning protection, surge protection and voltage transient protection
Electrical	
Power	24V AC / 3A (Power adapter included)
Power Consumption	Max. 45W (IR on)
Mechanical	
Weight	8 kg / 17.6lb (Gross Weight)
Dimensions	Φ214x 379mm / Φ8.43" x 14.92"

IPC820-FB

2.0MP Explosion-Proof HD 20x Network Zoom Camera



Features

Excellent Image Quality

- 2.0 Megapixel 1/2.8" progressive scan CMOS sensor
- High definition and smooth picture, 1080p@30fps
- H.265 video codec, saves up to 50% bandwidth and storage
- Ultra low illumination, 0.003lux with color picture
- 120dB Ultra WDR
- HLC / 3D noise reduction

Intelligent Functions

- Motion detection / Tampering / Guard line / Enter guard area / Exit guard area

Explosion-Proof

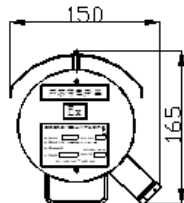
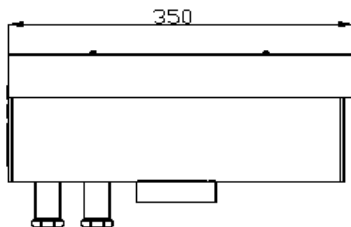
- Stainless steel enclosure with explosion-proof of Exd II CT6 / DIP A20 TA,T6
- Withstands operation temperatures of -30°C ~ 60°C
- IP68, TVS 6000V lightning protection, surge protection and voltage transient protection

Abundant Functions and Features

- Micro SD card optional, supports Automatic Network Replenishment (ANR)
- Up to 3 Multi-stream

Dimensions

Units: mm



Specifications

IPC820-FB	
Camera	
Image Sensor	1/2.8" progressive scan CMOS
Pixels	2.0 Megapixel
Min. Illumination	Color: 0.003lux @ (F1.6, AGC ON) B/W: 0.0003lux @ (F1.6, AGC ON)
Shutter Speed	1 ~ 1/30,000s
Day / Night	Auto (ICR) / Color / B/W
Wide Dynamic Range	Ultra WDR, >=120dB
S/N Ratio	>53dB
White Balance	Auto / Manual
Gain Control	Auto / Manual
Backlight Compensation	Off / WDR / BLC / HLC
Lens	
Focal Length	4.7 ~ 94mm, 20x optical
Zoom Speed	Approx. 3s (Optical)
Angle of View	61° ~ 3.64° (Wide~Tele)
Min. Object Distance	300 ~ 1000mm (Wide~Tele)
Max. Aperture Ratio	F1.6 (Wide) / F3.5 (Tele)
Focus Control	Auto / Manual / Semi-Automatic
Video	
Compression	H.265 / H.264 / MJPEG
Image Resolution	Main stream: 1080p Secondary stream: D1
Frame Rate	Main stream: 1080p@30fps Secondary stream: D1@30fps
Bitrate	32kbps ~ 16Mbps
Bitrate Control	VBR / CBR
Multi-stream	Supported
Caption	Date and time / Alarm / Direction / Customized
Privacy Masking	Up to 4 zones
Motion Detection	Up to 4 zones
Video Freeze	Supported
ROI	Supported
Digital Noise Reduction	3D noise reduction
Digital Defog	Supported
Image Flip	Flip / Mirror
Network	
Network Protocols	TCP/IP, UDP, HTTP, DHCP, DNS/DDNS, RTP/RTCP, RTSP, PPPoE, FTP, VSIP, UPnP, 802.1x, NAT, QoS, SMTP, IPv4, IPv6 (optional)
User Interface	IPC Control (IE, Firefox, Chrome)
Max. User Access	Max. 10 Users (includes 2 internal)
Application Programming	ONVIF (Profile S, Profile G), GB/T 28181-2011, API, CGI
Automatic Network Replenishment (ANR)	Supported
Alarm	
Alarm Triggers	Network disconnect / Disk full / Disk error
Intelligent	Motion detection / Tampering / Guard line / Enter guard area / Exit guard area
Alarm Events	Alarm report / Recording / Text overlay / Snapshot / Email notice
Interfaces	
Ethernet	10/100M, RJ45 interface
Memory Slot	Built-in Micro SD card (optional), up to 128GB
Environmental	
Operating Temperature	-30°C ~ 60°C / -22°F ~ 140°F
Operating Humidity	10% ~ 90%
Protection Level	IP68, TVS 6000V lightning protection, surge protection and voltage transient protection
Explosion-proof mark	Exd II CT6 / DIP A20 TA,T6
Electrical	
Power	-220: 220V AC ± 10% -110: 110V AC ± 10%
Power Consumption	Max. 5W
Mechanical	
Weight	12 kg / 24.46lb (Gross Weight)
Dimensions	150 x 165 x 350mm / 5.91" x 6.5" x 13.78"
Mounting Bracket	Bracket included

IPC421-FB

2.0MP Explosion-Proof HD 20x Network Speed Dome Camera



Features

Excellent Image Quality

- 2.0 Megapixel 1/2.8" progressive scan CMOS sensor
- High definition and smooth picture, 1080p@30fps
- H.265 video codec, saves up to 50% bandwidth and storage
- Ultra low illumination, 0.003lux with color picture
- 120dB Ultra WDR
- HLC / 3D noise reduction

Intelligent Functions

- Intelligent Functions
- Motion detection / Tampering / Guard line / Enter guard area / Exit guard area

Explosion-Proof

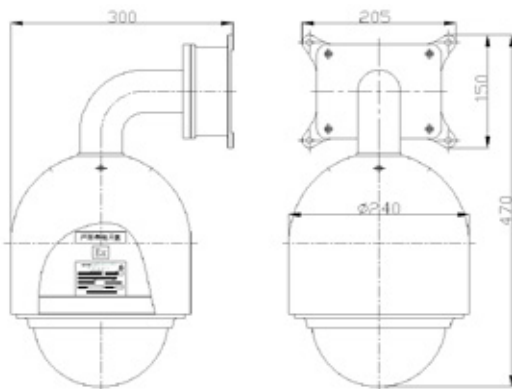
- Stainless steel enclosure with explosion-proof of Exd II CT6 / DIP A20 TA,T6
- Withstands operation temperatures of -40°C ~ 60°C
- IP68, TVS 6000V lightning protection, surge protection and voltage transient protection

Abundant Functions and Features

- SD card optional, supports Automatic Network Replenishment (ANR)
- Up to 3 Multi-stream

Dimensions

Units: mm



Specifications

IPC421-FB	
Camera	
Image Sensor	1/2.8" progressive scan CMOS
Pixels	2.0 Megapixel
Min. Illumination	Color: 0.003lux @ (F1.6, AGC ON) B/W: 0.0003lux @ (F1.6, AGC ON)
Shutter Speed	1 ~ 1/30,000s
Day / Night	Auto (ICR) / Color / B/W
Wide Dynamic Range	Ultra WDR, >=120dB
S/N Ratio	>53dB
White Balance	Auto / Manual
Gain Control	Auto / Manual
Backlight Compensation	Off / WDR / BLC / HLC
Lens	
Focal Length	4.7 ~ 94mm, 20x optical
Zoom Speed	Approx 3s (Optical)
Angle of View	61° ~ 3.64° (Wide~Tele)
Min. Object Distance	300 ~ 1000mm (Wide~Tele)
Max. Aperture Ratio	F1.6 (Wide) / F3.5 (Tele)
Focus Control	Auto / Manual / Semi-Automatic
Pan and Tilt	
Pan / Tilt Range	360° Endless / 0° ~ 90°
Pan / Tilt Speed	Pan manual speed: 0.1° ~ 250°/s; Pan preset speed: 450°/s Tilt manual speed: 0.1° ~ 150°/s; Tilt preset speed: 350°/s
Proportional Zoom	Pan / Tilt speed can be adjusted automatically according to zoom multiples
Preset	256
Patrol	8 Patrols scheme, up to 32 presets per patrol
Pattern Scan	4 Scan paths, each path can record 10 minutes of operation path
Power-off Memory	Power-off memory / Power-on recovery
Auto Guard	Path / Preset / Mixed / Pan scan / Tilt scan / Frame scan / Random scan / Panorama scan
PT Limit	Manual / Scan / Pan
3D Positioning	PTZ control with mouse click and drag
Video	
Compression	H.265 / H.264 / MJPEG
Image Resolution	Main stream: 1080p Secondary stream: D1
Frame Rate	Main stream: 1080p@30fps Secondary stream: D1@30fps
Bitrate	32kbps ~ 16Mbps
Bitrate Control	VBR / CBR
Multi-stream	Supported
Caption	Date and time / Alarm / Direction / Customized
Privacy Masking	Up to 4 zones
Motion Detection	Up to 4 zones
Video Freeze	Supported
ROI	Supported
Digital Noise Reduction	3D noise reduction
Digital Defog	Supported
Image Flip	Flip / Mirror
Network	
Network Protocols	TCP/IP, UDP, HTTP, DHCP, DNS/DDNS, RTP/RTCP, RTSP, PPPoE, FTP, VSIP, UPnP, 802.1x, NAT, QoS, SMTP, IPv4, IPv6 (optional)
User Interface	IPC Control (IE, Firefox, Chrome)
Max. User Access	Max. 10 Users (includes 2 internal)
Application Programming	ONVIF (Profile S, Profile G), GB/T 28181-2011, API, CGI
Automatic Network Replenishment (ANR)	Supported
Alarm	
Alarm Triggers	Network disconnect / Disk full / Disk error
Intelligent Alarm Events	Motion detection / Tampering / Guard line / Enter guard area / Exit guard area
Alarm report	Alarm report / Recording / Text overlay / Snapshot / Email notice
Interfaces	
Ethernet	10/100M, RJ45 interface
Memory Slot	Built-in SD card (optional), supports up to 128GB
Environmental	
Operating Temperature	-40°C ~ 60°C / -40°F ~ 140°F
Operating Humidity	10% ~ 95%
Protection Level	IP68, TVS 6000V lightning protection, surge protection and voltage transient protection
Explosion-proof mark	Exd II CT6 / DIP A20 TA,T6
Electrical	
Power	-220: 220V AC ± 10% -110: 110V AC ± 10%
Power Consumption	Max. 55W (Heater on)
Mechanical	
Weight	20 kg / 44.09lb (Gross Weight)
Dimensions	Φ240 × 470mm / Φ9.45" × 18.5"
Mounting Bracket	Bracket included

IPC523-F255-NL

2.0MP HD 55x Network Laser PTZ Camera



Features

Excellent Image Quality

- 2.0 Megapixel 1/2.8" Progressive Scan CMOS Sensor
- High definition and smooth picture, 1080p@60fps
- H.265 video codec, saves up to 50% bandwidth and storage
- Ultra low illumination, 0.001lux with color picture
- 120dB Ultra WDR
- Laser automatically adjusts
- HLC / 3D noise reduction

Intelligent Functions

- Motion detection / Tampering / Guard line / Enter guard area / Exit guard area / Object left / Object removal / Gathering / Audio surge

Long Operation Lifespan

- Industrial components, withstands operation temperatures of -40°C ~ 70°C
- IP66, TVS 6000V lightning protection, surge protection and voltage transient protection

Large Scale

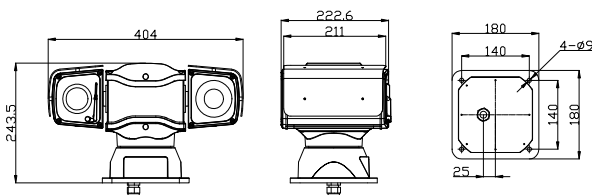
- 55x optical zoom
- Laser distance up to 1500m

Abundant Functions and Features

- SD card optional, supports Automatic Network Replenishment (ANR)
- Up to 3 video streams
- Bi-directional audio / alarm in and out / video out
- Wiper supported

Dimensions

Units: mm



Specifications

	IPC523-F255-NL
Camera	
Image Sensor	1/2.8" Progressive Scan CMOS
Pixels	2.0 Megapixel
Min. Illumination	Color: 0.001Lux @ (F1.2, AGC ON) B/W: 0.0001Lux @ (F1.2, AGC ON); 0Lux with IR
Shutter Speed	1 ~ 1/30,000S
Day / Night	Auto (ICR) / Color / B/W
Wide Dynamic Range	Ultra WDR, >=120dB
S/N Ratio	>55dB
White Balance	Auto / Manual
Gain Control	Auto / Manual
Backlight Compensation	Off / WDR / BLC / HLC
Lens	
Focal Length	6.5 ~ 363mm, 55x optical
Zoom Speed	Approx 4s (Optical)
Angle of View	43.8° ~ 1° (Wide~Tele)
Min. Object Distance	300 ~ 1500mm (Wide~Tele)
Max. Aperture Ratio	F1.6 (Wide) / F6.0(Tele)
Focus Control	Auto / Manual / Semi-Automatic
Laser	
Laser Distance	1500m
Laser Intensity	Automatically adjust according to zoom ratio
Pan and Tilt	
Pan / Tilt Range	360° Endless / - 85° ~ 85° (Auto Flip)
Pan / Tilt Speed	Pan manual speed: 0.1° ~ 120°/s; Pan preset speed: 120°/s Tilt manual speed: 0.1° ~ 30°/s; Tilt preset speed: 100°/s
Proportional Zoom	Pan / Tilt speed can be adjusted automatically according to zoom multiples
Preset	256
Patrol	8 Patrols scheme, up to 32 presets per patrol
Pattern Scan	4 Scan paths, each path can record 10 minutes of operation path
Power-off Memory	Power-off memory / Power-on recovery
Auto Guard	Path / Preset / Pan scan
PT Limit	Manual / Scan / Pan
3D Positioning	PTZ control with mouse click and drag
Wiper	Supported
Wiper	Supported
Video	
Compression Format	H.265 / H.264 / MJPEG
Image Resolution	Main stream: 1080p Secondary stream: D1
Frame Rate	Main stream: 1080p@60fps Secondary stream: D1@30fps
Bitrate	32kbps ~ 16Mbps
Bitrate Control	VBR / CBR
Multi stream	Supported
Caption	Date and time / Alarm / Direction / Customized
Privacy Masking	Up to 4 zones
Motion Detection	Up to 4 zones
Video Freeze	Supported
ROI	Supported
Digital Noise Reduction	3D noise reduction
Digital Defog	Supported
Image Flip	Flip / Mirror
Audio	
Compression	G.711a / G.711u / ADPCM / G.722 / AAC-LC / G.722.1c / G.726
Bitrate	32kbps ~ 64kbps
Audio Function	Bi-directional audio / AEC / Mixed audio recording / Dumb / Mute
Network	
Network Protocols	TCP/IP, UDP, HTTP, DHCP, DNS/DDNS, RTP/RTCP, RTSP, PPPoE, FTP, VSIP, UPnP, 802.1x, NAT, QoS, SMTP, IPv4, IPv6 (optional)
User Interface	IPC Control (IE, Firefox, Chrome)
Max. User Access	Max. 10 Users (include 2 internal)
Application Programming	ONVIF (Profile S, Profile G), GB/T 28181-2011, API, CGI
Automatic Network Replenishment (ANR)	Supports
Alarm	
Alarm Triggers	Alarm input / Network disconnect / Disk full / Disk error
Intelligent	Motion detection / Tampering / Guard line / Enter guard area / Exit guard area / Object left / Object removal / Gathering / Audio surge
Alarm Events	Alarm report / Recording / Text overlay / Snapshot / External output / Email notice / Acoustic alarm
Interfaces	
Ethernet	10/100M, RJ45 interface
Audio In / Out	1 x Line in / 1 x Line out
Alarm In / Out	1 x Input / 1 x Output
Video Out	1 x BNC, 1.0V [p-p] / 75Ω
Memory Slot	Built-in Micro SD card (optional), up to 128GB
Environmental	
Operating Temperature	-40°C ~ 70°C / -40°F ~ 158°F
Operating Humidity	10% ~ 95%
Protection Level	IP66, TVS 6000V lightning protection, surge protection and voltage transient protection
Electrical	
Power	24V AC / 3A (Power adapter included)
Power Consumption	Max. 70W (Laser on)
Mechanical	
Weight	10kg / 22lb (Gross Weight)
Dimensions	404 × 222.6 × 243.5mm / 15.9" × 8.76" × 9.59"

IPC525

2.0MP HD Long Range Laser PTZ Camera



Features

Excellent Image Quality

- 2.0 Megapixel 1/1.9" Progressive Scan CMOS Sensor
- High definition and smooth picture, 1080p@60fps
- H.265 video codec, saves up to 50% bandwidth and storage
- Low illumination, 0.001lux with color picture
- 120dB Ultra WDR
- Laser automatically adjusts
- HLC / 3D noise reduction

Long Operation Lifespan

- Industrial components, withstands operation temperatures of -40°C ~ 60°C
- IP66, TVS 6000V lightning protection, surge protection and voltage transient protection
- More than 30,000 hours operational lifespan of the laser illuminator

Large Scale

- 60x optical zoom (-F160-NL3, -F260-NL5)
- Barlow lens supported (-F160-NL3, -F260-NL5)
- Long range night vision up to 5Km (-F260-NL5)

Abundant Functions and Features

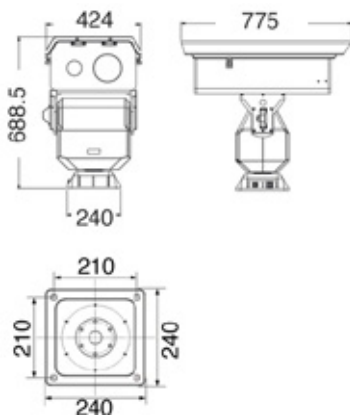
- Micro SD card slot, supports Automatic Network Replenishment (ANR)
- Strong PT structure has smooth movements even with a 100kg carry-on load
- Optical defog
- Built-in O-sensor
- AR and AF housing glass
- Aviation connector

Specifications

IPC525	
Camera	IPC525
Image Sensor	1/1.9" Progressive Scan CMOS
Pixels	2.0 Megapixel
Min. Illumination	Color: 0.001Lux @ (F1.2, AGC ON) B/W: 0.0001Lux @ (F1.2, AGC ON); 0Lux with IR
Shutter Speed	1 ~ 1/30,000S
Day / Night	Auto (ICR) / Color / B/W
Wide Dynamic Range	Ultra WDR, >=120dB
S/N Ratio	> 57dB
White Balance	Auto / Manual
Gain Control	Auto / Manual
Backlight Compensation	Off / WDR / BLC / HLC
Lens	
Focal Length	-F132-NL2: 15.6 ~ 500mm, 32x optical -F160-NL3: 12.5 ~ 750mm, 60x optical, 2x Barlow lens supported -F260-NL5: 16.7 ~ 1000mm, 60x optical, 2x Barlow lens supported
Zoom Speed	Approx 3 ~ 10s (Optical)
Angle of View	-F132-NL2: 26.73° ~ 0.75° (Wide~Tele) -F160-NL3: 28.71° ~ 0.49° (Wide~Tele) -F260-NL5: 23.01° ~ 0.41° (Wide~Tele)
Min. Object Distance	5000mm (Wide)
Max. Aperture Ratio	F3.5 (Wide) / F16 (Tele)
Focus Control	Auto / Manual / Semi-Automatic
Auto Back Focus	Auto
Optical Defog	Supported
Laser	
Wave Length	808nm
Power Consumption	-F132-NL2: 15W, -F160-NL3: 20W, -F260-NL5: 25W
Laser Distance	-F132-NL2: 2Km, -F160-NL3: 3Km, -F260-NL5: 5Km
Laser Intensity	Automatically adjust according to zoom ratio
Illuminating Angle	0.3° ~ 30° continuous change
Vision	
Day	-F132-NL2: 3Km, -F160-NL3: 5Km, -F260-NL5: 10Km
Night	-F132-NL2: 2Km, -F160-NL3: 3Km, -F260-NL5: 5Km
Pan and Tilt	
Pan / Tilt Range	360° Endless / - 60° ~ 60° (Auto Flip)
Pan manual speed	0.01° ~ 15°/s; Pan preset speed: 15°/s
Tilt manual speed	0.01° ~ 10°/s; Tilt preset speed: 10°/s
Proportional Zoom	Pan / Tilt speed can be adjusted automatically according to zoom multiples
Preset	256
Patrol	8 Patrols scheme, up to 32 presets per patrol
Pattern Scan	4 Scan paths, each path can record 10 minutes of operation path
Power-off Memory	Power-off memory / Power-on recovery
Auto Guard	Path / Preset / Pan scan
PT Limit	Manual / Scan / Pan
3D Positioning	PTZ control with mouse click and drag
Electronic compass	Built-in O-sensor
Location Sensor	GPS
Shield	
Housing Glass	AR & AF glass
Video	
Compression Format	H.265 / H.264 / MJPEG
Image Resolution	Main stream: 1080p Secondary stream: D1
Frame Rate	Main stream: 1080p@60fps Secondary stream: D1@30fps
Bitrate	32kbps ~ 16Mbps
Bitrate Control	VBR / CBR
Multi-stream	Supported
Caption	Date and time / Alarm / Direction / Customized
Privacy Masking	Up to 4 zones
Motion Detection	Up to 4 zones
Video Freeze	Supported
ROI	Supported
Digital Noise Reduction	3D noise reduction
Digital Defog	Supported
Image Flip	Mirror
Audio	
Compression	G.711a / G.711u / ADPCM / G.722 / AAC-LC / G.722.1c / G.726
Bitrate	32kbps ~ 64kbps
Audio Function	Bi-directional audio / AEC / Mixed audio recording / Dumb / Mute
Network	
Network Protocols	TCP/IP, UDP, HTTP, DHCP, DNS/DDNS, RTP/RTCP, RTSP, PPPoE, FTP, VSIP, UPnP, 802.1x, NAT, QoS, SMTP, IPv4, IPv6 (optional)
User Interface	IPC Control (IE, Firefox, Chrome)
Max. User Access	Max. 10 Users (include 2 internal)
Application Programming	ONVIF (Profile S, Profile G), GB/T 28181-2011, API, CGI
Automatic Network Replenishment (ANR)	Supports
Alarm	
Alarm Triggers	Network disconnect / Disk full / Disk error
Intelligent	Motion detection / Tampering / Guard line / Enter guard area / Exit guard area / Object left / Object removal / Gathering / Audio surge
Alarm Events	Alarm report / Recording / Text overlay / Snapshot / External output / Email notice / Acoustic alarm
Interfaces	
Ethernet	10/100M, RJ45 interface
Audio In / Out	1 x Line in / 1 x Line out
Alarm	1 x Output
Memory Slot	Micro SD card slot, supports up to 128GB
Environmental	
Operating Temperature	-40°C ~ 60°C / -40°F ~ 140°F
Operating Humidity	10% ~ 95%
Protection Level	IP66, TVS 6000V lightning protection, surge protection and voltage transient protection
Electrical	
Power	24V DC ± 25% (Power adapter included) -F132-NL2: Max. 110W (Laser on) -F160-NL3: Max. 115W (Laser on) -F260-NL5: Max. 120W (Laser on)
Mechanical	
Weight	65kg / 143.3lb (Gross Weight)
Dimensions	775 x 424 x 688.5mm / 30.51" x 16.69" x 27.11"

Dimensions

Units: mm



IPC123-Fi9N

Recognitive HD Network Box Camera



Features

Excellent Image Quality

- 2.0 Megapixel 1/2" progressive scan CMOS sensor
- High definition and smooth picture, 1080p@60fps
- H.265 video codec, saves up to 50% bandwidth and storage
- Ultra low illumination, 0.0005lux with color picture
- 120dB Ultra WDR
- 3D noise reduction / HLC / BLC

Intelligent Functions

- Motion detection / Tampering / Guard line / Defocus / Scene change / Enter guard area / Exit guard area / Object left / Object removal / Gathering / Audio surge

Recognitive Functions

- Face capturing

A Variety of Installation Modes

- Supports 90°, 180°, 270° image rotation
- Auto flip function

Abundant Functions and Features

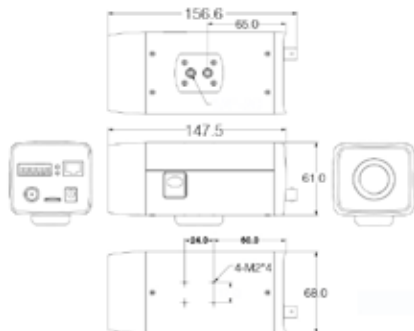
- Micro SD card slot, supports Automatic Network Replenishment (ANR)
- Up to 3 Multi-stream
- Bi-directional audio / alarm in and out / video out / RS485
- 2 channel audio input simultaneously
- Built-in Mic
- Built-in O-sensor
- PoE

Specifications

	IPC123-Fi9N
Camera	
Image Sensor	1/2" Progressive Scan CMOS
Pixels	2.0 Megapixel
Min. Illumination	Color: 0.0005Lux @ (F1.2, AGC ON) B/W: 0.0001Lux @ (F1.2, AGC ON)
Shutter Speed	1 ~ 1/30,000s
Day / Night	Auto (ICR) / Color / B/W
Wide Dynamic Range	Ultra WDR, >=120dB
S/N Ratio	>52dB
White Balance	Auto / Manual
Gain Control	Auto / Manual
Backlight Compensation	Off / WDR / BLC / HLC
Lens (not included)	
Mount Type	C / CS
Auto Iris	DC drive / P-Iris
Video	
Compression	H.265 / H.264 / MJPEG
Image Resolution	Main stream: 1080p Secondary stream: D1
Frame Rate	Main stream: 1080p@60fps Secondary stream: D1@30fps
Bitrate	32kbps ~ 16Mbps
Bitrate Control	VBR / CBR
Multi-stream	Supported
Caption	Date and time / Alarm / Direction / Customized
Privacy Masking	Up to 4 zones
Motion Detection	Up to 4 zones
Video Freeze	Supported
ROI	Supported
Digital Noise Reduction	3D noise reduction
Digital Defog	Supported
Image Flip	Flip / Mirror / Rotation at 90°, 180°, 270° / Auto flip (Built-in G-sensor)
Audio	
Compression	G.711a / G.711u / ADPCM / G.722 / AAC-LC / G.722.1c / G.726
Bitrate	32kbps ~ 64kbps
Audio Function	Bi-directional audio / AEC / Mixed audio recording / Dumb / Mute
Network	
Network Protocols	TCP/IP, UDP, HTTP, DHCP, DNS/DDNS, RTP/RTCP, RTSP, PPPoE, FTP, VSIP, UPnP, 802.1x, NAT, QoS, SMTP, IPv4, IPv6 (optional)
User Interface	IPC Control (IE, Firefox, Chrome)
Max. User Access	Max. 10 Users (includes 2 internal)
Application Programming	ONVIF (Profile S, Profile G), GB/T 28181-2011, API, CGI
Automatic Network Replenishment (ANR)	Supported
Recognitive Functions	
Target Detection	Face
Captured Picture	Face
Alarm	
Alarm Triggers	Alarm input / Network disconnect / Disk full / Disk error
Intelligent	Motion detection / Tampering / Guard line / Defocus / Scene change / Enter guard area / Exit guard area / Object left / Object removal / Gathering / Audio surge
Alarm Events	Alarm report / Recording / Text overlay / Snapshot / External output / Email notice / Acoustic alarm
Interfaces	
Ethernet	10/100M, RJ45 interface
Audio In / Out	2 x Line in / 1 x Line out / 1 x Built-in Mic
Control	1 x RS485
Alarm In / Out	1 x Input / 1 x Output
Video Out	1 x BNC, 1.0V [p-p] / 75Ω
Memory Slot	Micro SD card slot, supports up to 256GB
Environmental	
Operating Temperature	-40°C ~ 70°C / -40°F ~ 158°F
Operating Humidity	10% ~ 95%
Electrical	
Power	AC 24V ± 10% / DC 12V ± 10% / PoE (IEEE802.3af)
Power Consumption	Max. 6W
Mechanical	
Weight	0.5 kg / 1.1lb (Gross Weight)
Dimensions	147.5 x 68 x 61mm / 5.81" x 2.68" x 2.40"

Dimensions

Units:mm



IPC183-Fi9N

Recognitive HD Network Box Camera



Features

Excellent Image Quality

- 8.0 Megapixel 1/1.8" progressive scan CMOS sensor
- UHD 4K@30fps
- H.265 video codec, saves up to 50% bandwidth and storage
- Ultra low illumination, 0.005lux with color picture
- 120dB Ultra WDR
- 3D noise reduction / HLC / BLC

Intelligent Functions

- Motion detection / Tampering / Guard line / Defocus / Scene change / Enter guard area / Exit guard area / Object left / Object removal / Gathering / Audio surge

Recognitive Functions

- Face capturing

A Variety of Installation Modes

- Supports 90°, 180°, 270° image rotation
- Auto flip function

Abundant Functions and Features

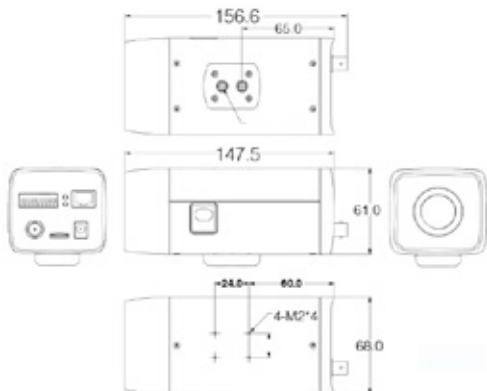
- Micro SD card slot, supports Automatic Network Replenishment (ANR)
- Up to 3 Multi-stream
- Bi-directional audio / alarm in and out / video out / RS485
- 2 channel audio input simultaneously
- Built-in Mic
- Built-in O-sensor
- PoE

Specifications

	IPC183-Fi9N
Camera	
Image Sensor	1/1.8" Progressive Scan CMOS
Pixels	8.0 Megapixel
Min. Illumination	Color: 0.005Lux @ (F1.2, AGC ON) B/W: 0.0005Lux @ (F1.2, AGC ON)
Shutter Speed	1 ~ 1/30,000s
Day / Night	Auto (ICR) / Color / B/W
Wide Dynamic Range	Ultra WDR, >=120dB
S/N Ratio	>52dB
White Balance	Auto / Manual
Gain Control	Auto / Manual
Backlight Compensation	Off / WDR / BLC / HLC
Lens (not included)	
Mount Type	C / CS
Auto Iris	DC drive / P-Iris
Video	
Compression	H.265 / H.264 / MJPEG
Image Resolution	Main stream: 4K (4096x2160) Secondary stream: D1
Frame Rate	Main stream: 4K@30fps / 1080p@60fps Secondary stream: D1@30fps
Bitrate	64kbps ~ 32Mbps
Bitrate Control	VBR / CBR
Multi-stream	Supported
Caption	Date and time / Alarm / Direction / Customized
Privacy Masking	Up to 4 zones
Motion Detection	Up to 4 zones
Video Freeze	Supported
ROI	Supported
Digital Noise Reduction	3D noise reduction
Digital Defog	Supported
Image Flip	Flip / Mirror / Rotation at 90°, 180°, 270° / Auto flip (Built-in G-sensor)
Audio	
Compression	G.711a / G.711u / ADPCM / G.722 / AAC-LC / G.722.1c / G.726
Bitrate	32kbps ~ 64kbps
Audio Function	Bi-directional audio / AEC / Mixed audio recording / Dumb / Mute
Network	
Network Protocols	TCP/IP, UDP, HTTP, DHCP, DNS/DDNS, RTP/RTCP, RTSP, PPPoE, FTP, VSIP, UPnP, 802.1x, NAT, QoS, SMTP, IPv4, IPv6 (optional)
User Interface	IPC Control (IE, Firefox, Chrome)
Max. User Access	Max. 10 Users (includes 2 internal)
Application Programming	ONVIF (Profile S, Profile G), GB/T 28181-2011, API, CGI
Automatic Network Replenishment (ANR)	Supported
Recognitive Functions	
Target Detection	Face
Captured Picture	Face
Alarm	
Alarm Triggers	Alarm input / Network disconnect / Disk full / Disk error
Intelligent	Motion detection / Tampering / Guard line / Defocus / Scene change / Enter guard area / Exit guard area / Object left / Object removal / Gathering / Audio surge
Alarm Events	Alarm report / Recording / Text overlay / Snapshot / External output / Email notice / Acoustic alarm
Interfaces	
Ethernet	10/100M, RJ45 interface
Audio In / Out	2 x Line in / 1 x Line out / 1 x Built-in Mic
Control	1 x RS485
Alarm In / Out	1 x Input / 1 x Output
Video Out	1 x BNC, 1.0V [p-p] / 75Ω
Memory Slot	Micro SD card slot, supports up to 256GB
Environmental	
Operating Temperature	-40°C ~ 70°C / -40°F ~ 158°F
Operating Humidity	10% ~ 95%
Electrical	
Power	AC 24V ± 10% / DC 12V ± 10% / PoE (IEEE802.3af)
Power Consumption	Max. 6W
Mechanical	
Weight	0.5 kg / 1.1lb (Gross Weight)
Dimensions	147.5 x 68 x 61mm / 5.81" x 2.68" x 2.40"

Dimensions

Units:mm



IPC2252-Gi4N-SIR50-Z7022

Human Recognitive HD Network Varifocal IR Bullet Camera



Features

Excellent Image Quality

- 2.0 Megapixel 1/2.8" progressive scan CMOS sensor
- High definition and smooth picture, 1080p@30fps
- H.265 video codec, saves up to 50% bandwidth and storage
- Ultra low illumination, 0.002lux with color picture
- WDR support / 3D noise reduction / Auto Iris / HLC

Recognitive Functions

- Up to 18 targets simultaneously
- Target capturing and characters recognizing
- Bi-directional people counting
- Built-in picture comparison algorithm, best picture selection
- Face Intelligence Exposure

Integrated High Efficiency IR

- Industrial IR LED with long operational lifespan
- 30 ~ 50m IR distance
- Smart IR function

A Variety of Installation Modes

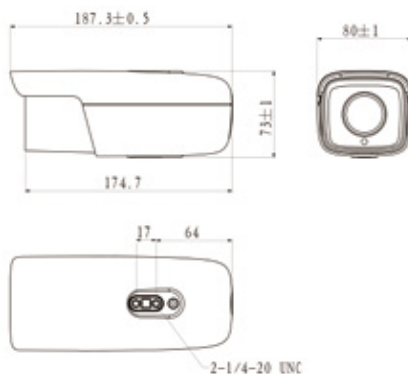
- Varifocal AF lens

Abundant Functions and Features

- Micro SD card slot, supports Automatic Network Replenishment (ANR)
- Bi-directional audio / alarm in and out / RS485
- Up to 3 Multi-stream
- PoE

Dimensions

Units:mm



Specifications

	IPC2252-Gi4N-SIR50-Z7022
Camera	
Image Sensor	1/2.8" progressive scan CMOS
Pixels	2.0 Megapixel
Min. Illumination	Color: 0.002lux @ (F1.2, AGC ON) B/W: 0.0002lux @ (F1.2, AGC ON);
Shutter Speed	1 ~ 1/30,000s
Day / Night	Auto (ICR) / Color / B/W
Wide Dynamic Range	Digital WDR
S/N Ratio	> 52dB
White Balance	Auto / Manual
Gain Control	Auto / Manual
Backlight Compensation	Off / BLC / WDR / HLC
Lens	
Mount Type	Ø14
Auto Iris	DC drive
Focal Length	-Z7022: 7~22mm @ F1.4 motorized varifocal lens
Focus Control	Manual / Semi-Automatic / Auto
Infrared	
IR Distance	30 ~ 50m
IR Intensity	Smart IR
Video	
Compression	H.265 / H.264 / MJPEG
Image Resolution	Main stream: 1080p Secondary stream: D1
Frame Rate	Main stream: 1080p@30fps Secondary stream: D1@30fps
Bitrate	32kbps ~ 16Mbps
Bitrate Control	VBR / CBR
Multi-stream	Supported
Caption	Date and time / Alarm / Customized
Privacy Masking	Up to 4 zones
Motion Detection	Up to 4 zones
Video Freeze	Supported
Digital Noise Reduction	3D noise reduction
Image Flip	Flip / Mirror / Rotation at 90°, 180°, 270°
Audio	
Compression	G.711a / G.711u / ADPCM / G.722 / AAC-LC / G.722.1c / G.726
Bitrate	32kbps ~ 64kbps
Audio Function	Bi-directional audio / AEC / Mixed audio recording / Dumb / Mute
Network	
Network Protocols	TCP/IP, UDP, HTTP, DHCP, DNS/DDNS, RTP/RTCP, RTSP, PPPoE, FTP, VSIP, UPnP, 802.1x, NAT, QoS, SMTP, IPv4, IPv6 (optional)
User Interface	IPC Control (IE, Firefox, Chrome)
Max. User Access	Max. 10 Users (includes 2 internal)
Application Programming	ONVIF (Profile S, Profile G), GB/T 28181-2011, API, CGI
Automatic Network Replenishment (ANR)	Supported
Recognitive Functions	
Target Detection	Person, Face Up to 18 targets simultaneously Person, Face, Full view
Captured Picture	Built-in picture comparison algorithm, best picture selection
Target Characters	Direction / Speed level
People Counting	Bi-directional
Face Enhancement	Face Intelligence Exposure
Alarm	
Alarm Triggers	Alarm input / Network disconnect / Disk full / Disk error
Alarm Events	Alarm report / Recording / Text overlay / Snapshot / External output / Email notice / Acoustic alarm
Interfaces	
Ethernet	10/100M, RJ45 interface
Audio In / Out	1 x Line in / 1 x Line out
Control	1 x RS485
Alarm In / Out	1 x Input / 1 x Output
Memory Slot	Micro SD card slot, supports up to 128GB
Environmental	
Operating Temperature	-40°C ~ 40°C / -40°F ~ 104°F
Operating Humidity	10% ~ 95%
Electrical	
Power	AC24V ± 10% / DC12V ± 10% / PoE (IEEE802.3at)
Power Consumption	Max. 20W
Mechanical	
Weight	1 kg / 2.2lb (Gross Weight)
Dimensions	181.5 x 80 x 73mm / 7.15" x 3.15" x 2.87"

IPC2231-Gi4N-SIR40-Z7022

Human Recognitive HD Network Varifocal IR Semi Dome



Features

Excellent Image Quality

- 2.0 Megapixel 1/2.8" progressive scan CMOS sensor
- High definition and smooth picture, 1080p@30fps
- H.265 video codec, saves up to 50% bandwidth and storage
- Ultra low illumination, 0.002lux with color picture
- WDR support / 3D noise reduction / HLC

Recognitive Functions

- Up to 18 targets simultaneously
- Target capturing and characters recognizing
- Bi-directional people counting
- Built-in picture comparison algorithm, best picture selection
- Face Intelligence Exposure

Vandal-Proof

- Above IK10 @ 50J collision energy

Integrated High Efficiency IR

- Industrial IR LED with long operational lifespan
- 20 ~ 40m IR distance
- Smart IR function

A Variety of Installation Modes

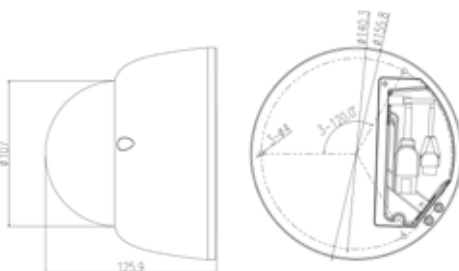
- Varifocal AF lens

Abundant Functions and Features

- Micro SD card slot, supports Automatic Network Replenishment (ANR)
- Bi-directional audio / alarm in and out / RS485
- Up to 3 Multi-stream
- PoE

Dimensions

Units:mm



Specifications

	IPC2231-Gi4N-SIR40-Z7022
Camera	
Image Sensor	1/2.8" progressive scan CMOS
Pixels	2.0 Megapixel
Min. Illumination	Color: 0.002lux @ (F1.2, AGC ON) B/W: 0.0002lux @ (F1.2, AGC ON);
Shutter Speed	1 ~ 1/30,000s
Day / Night	Auto (ICR) / Color / B/W
Wide Dynamic Range	Digital WDR
S/N Ratio	> 52dB
White Balance	Auto / Manual
Gain Control	Auto / Manual
Backlight Compensation	Off / BLC / WDR / HLC
Lens	
Mount Type	Ø14
Auto Iris	DC drive
Focal Length	-Z7022: 7~22mm @ F1.4 motorized varifocal lens
Focus Control	Manual / Semi-Automatic / Auto
Angle of View	108° ~ 35°
Adjustment Range	Pan: 0° ~ 355° / Tilt: 0° ~ 75° / Rotation: 0° ~ 355°
Infrared	
IR Distance	20 ~ 40m
IR Intensity	Smart IR
Video	
Compression	H.265 / H.264 / MJPEG
Image Resolution	Main stream: 1080p Secondary stream: D1
Frame Rate	Main stream: 1080p@30fps Secondary stream: D1@30fps
Bitrate	32kbps ~ 16Mbps
Bitrate Control	VBR / CBR
Multi-stream	Supported
Caption	Date and time / Alarm / Customized
Privacy Masking	Up to 4 zones
Motion Detection	Up to 4 zones
Video Freeze	Supported
Digital Noise Reduction	3D noise reduction
Image Flip	Flip / Mirror / Rotation at 90°, 180°, 270°
Audio	
Compression	G.711a / G.711u / ADPCM / G.722 / AAC-LC / G.722.1c / G.726
Bitrate	32kbps ~ 64kbps
Audio Function	Bi-directional audio / AEC / Mixed audio recording / Dumb / Mute
Network	
Network Protocols	TCP/IP, UDP, HTTP, DHCP, DNS/DDNS, RTP/RTCP, RTSP, PPPoE, FTP, VSIP, UPnP, 802.1x, NAT, QoS, SMTP, IPv4, IPv6 (optional)
User Interface	IPC Control (IE, Firefox, Chrome)
Max. User Access	Max. 10 Users (includes 2 internal)
Application Programming	ONVIF (Profile S, Profile G), GB/T 28181-2011, API, CGI
Automatic Network Replenishment (ANR)	Supported
Recognitive Functions	
Target Detection	Person, Face up to 18 targets simultaneously
Captured Picture	Person, Face, Full view
Target Characters	Built-in picture comparison algorithm, best picture selection
People Counting	Direction / Speed level
Face Enhancement	Bi-directional Face Intelligence Exposure
Alarm	
Alarm Triggers	Alarm input / Network disconnect / Disk full / Disk error Alarm report / Recording / Text overlay / Snapshot / External output / Email notice / Acoustic alarm
Interfaces	
Ethernet	10/100M, RJ45 interface
Audio In / Out	1 x Line in / 1 x Line out
Control	1 x RS485
Alarm In / Out	1 x Input / 1 x Output
Memory Slot	Micro SD card slot, supports up to 128GB
Environmental	
Operating Temperature	-40°C ~ 40°C / -40°F ~ 104°F
Operating Humidity	10% ~ 95%
Protection Level	IK10+ @50J
Electrical	
Power	AC24V ± 10% / DC12V ± 10% / PoE (IEEE802.3at)
Power Consumption	Max. 20W
Mechanical	
Weight	1.1 kg / 2.2lb (Gross Weight)
Dimensions	Ø155.8 x 125.9mm / Ø6.14" x 4.96"

IPC2255-Gi4N

Human Recognitive HD Network Varifocal IR Bullet Camera



Features

Excellent Image Quality

- 2.0 Megapixel 1/1.9" Progressive Scan CMOS Sensor
- High definition and smooth picture, 1080p@30fps
- Ultra low illumination, 0.001lux with color picture
- WDR / HLC / 3D noise reduction

Recognitive Functions

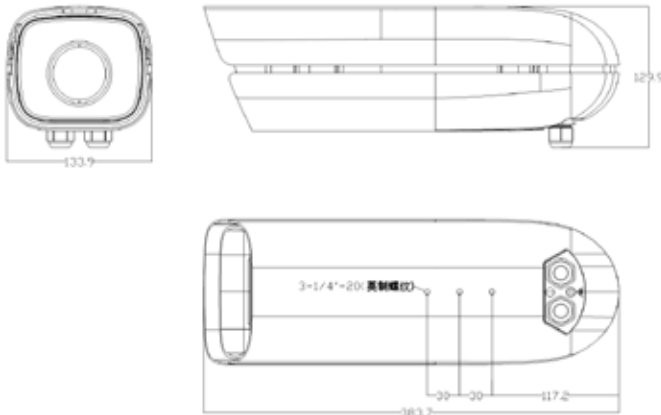
- Up to 18 targets simultaneously
- Target capturing and characters recognizing
- Bi-directional people counting
- Built-in picture comparison algorithm, best picture selection
- Face Intelligence Exposure

Abundant Functions and Features

- Micro SD card slot, supports Automatic Network Replenishment (ANR)
- Bi-directional audio / alarm in&out / RS485
- -40°C ~ 60°C operation temperature
- IP66

Dimensions

Units:mm

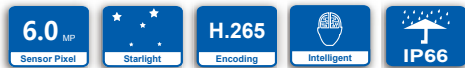


Specifications

	IPC2255-Gi4N
Camera	
Image Sensor	1/1.9" Progressive Scan CMOS
Pixels	2.0 Megapixel
Min. Illumination	Color: 0.001Lux @ (F1.4, AGC ON) B/W: 0.0001Lux @ (F1.4, AGC ON)
Shutter Speed	1/7.5 ~ 1/16,000s
Day / Night	Auto (ICR) / Color / B/W
Wide Dynamic Range	Digital WDR
S/N Ratio	52dB
White Balance	Auto / Manual
Gain Control	Auto / Manual
Backlight Compensation	Off / WDR / BLC / HLC
Lens	
Auto Iris	DC drive
Focal Length	15 ~ 50mm @ F1.4 motorized varifocal lens
Focus Control	Manual / Semi-Automatic / Auto
Infrared	
IR Distance	100m
IR Intensity	Smart IR
Video	
Compression	H.265 / H.264
Image Resolution	Main stream: 1080p Secondary stream: D1
Frame Rate	Main stream: 1080p@30fps Secondary stream: D1@30fps
Bitrate	32kbps ~ 16Mbps
Bitrate Control	VBR / CBR
Multi-stream	Supported
Caption	Date and time / Alarm / Direction / Customized
Privacy Masking	Up to 4 zones
Motion Detection	Up to 4 zones
Video Freeze	Supported
Digital Noise Reduction	3D noise reduction
Image Flip	Flip / Mirror
Audio	
Compression	G.711a / G.711u / ADPCM / G.722 / AAC-LC / G.722.1c
Bitrate	32kbps ~ 64kbps
Audio Function	Bi-directional audio / AEC / Mixed audio recording / Dumb / Mute
Network	
Network Protocols	TCP/IP, UDP, HTTP, DHCP, DNS/DDNS, RTP/RTCP, RTSP, PPPoE, FTP, VSIP, UPnP, 802.1x, NAT, QoS, SMTP, IPv4, IPv6 (optional)
User Interface	IPC Control (IE, Firefox, Chrome)
Max. User Access	Max. 10 Users (includes 2 internal)
Application Programming	Onvif (Profile S, Profile G), GB/T 28181-2011, API, CGI
Automatic Network Replenishment (ANR)	Supported
Recognitive Functions	
Target Detection	Person, Face up to 18 targets simultaneously
Captured Picture	Person, Face, Full view
Target Characters	Built-in picture comparison algorithm, best picture selection
People Counting	Direction / Speed level
Face Enhancement	Bi-directional Face Intelligence Exposure
Alarm	
Alarm Triggers	Alarm input / Network disconnect / Disk full / Disk error
Alarm Events	Alarm report / Recording / Text overlay / Snapshot / External output / Email notice / Acoustic alarm
Interfaces	
Ethernet	10/100M, RJ45 interface
Audio In / Out	2 x Line In / 1 x Line out
Control	1 x RS485
Alarm In / Out	2 x Input / 1 x Output
Memory Slot	Micro SD card slot, supports up to 128GB
Environmental	
Operating Temperature	-40°C ~ 60°C / -40°F ~ 140°F
Operating Humidity	10% ~ 95%
Protection Level	IP66
Electrical	
Power	AC 24V ± 10%
Power Consumption	Max. 25W
Mechanical	
Weight	2.8kg / 6.17lb (Gross Weight)
Dimensions	383 x 129.9 x 133mm / 15.05" x 5.11" x 5.24"

IPC2655-Gi4N

Human Recognitive HD Network Varifocal IR Bullet Camera



Features

Excellent Image Quality

- 6.0 Megapixel 1/1.8" Progressive Scan CMOS Sensor
- High definition and smooth picture, 3072 x 2048@30fps
- WDR / HLC / 3D noise reduction

Recognitive Functions

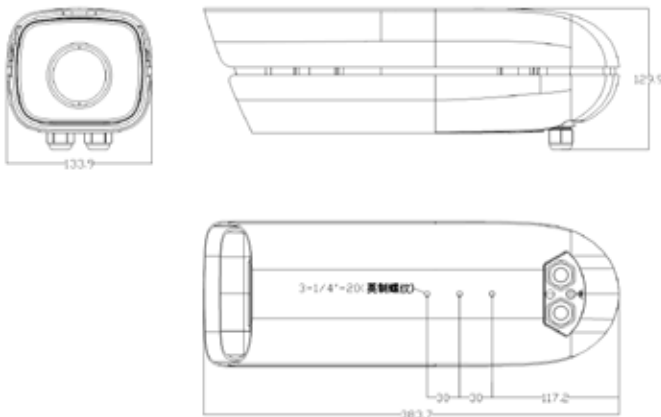
- Up to 18 targets simultaneously
- Target capturing and characters recognizing
- Bi-directional people counting
- Built-in picture comparison algorithm, best picture selection
- Face Intelligence Exposure

Abundant Functions and Features

- Micro SD card slot, supports Automatic Network Replenishment (ANR)
- Bi-directional audio / alarm in/out / RS485
- -40°C ~ 60°C operation temperature
- IP66

Dimensions

Units:mm



Specifications

	IPC2655-Gi4N
Camera	
Image Sensor	1/1.8" Progressive Scan CMOS
Pixels	6.0 Megapixel
Min. Illumination	Color: 0.01Lux @ (F1.4, AGC ON) B/W: 0.001Lux @ (F1.4, AGC ON)
Shutter Speed	1/7.5 ~ 1/16,000s
Day / Night	Auto (ICR) / Color / B/W
Wide Dynamic Range	Digital WDR
S/N Ratio	52dB
White Balance	Auto / Manual
Gain Control	Auto / Manual
Backlight Compensation	Off / WDR / BLC / HLC
Lens	
Auto Iris	DC drive
Focal Length	15 ~ 50mm @ F1.4 motorized varifocal lens
Focus Control	Manual / Semi-Automatic / Auto
Night View	
IR Distance	100m
IR Intensity	Smart IR
Video	
Compression	H.265 / H.264
Image Resolution	Main stream: 3072 x 2048 Secondary stream: D1
Frame Rate	Main stream: 3072 x 2048@30fps Secondary stream: D1@30fps
Bitrate	32kbps ~ 16Mbps
Bitrate Control	VBR / CBR
Multi-stream	Supported
Caption	Date and time / Alarm / Direction / Customized
Privacy Masking	Up to 4 zones
Motion Detection	Up to 4 zones
Video Freeze	Supported
Digital Noise Reduction	3D noise reduction
Image Flip	Flip / Mirror
Audio	
Compression	G.711a / G.711u / ADPCM / G.722 / AAC-LC / G.722.1c
Bitrate	32kbps ~ 64kbps
Audio Function	Bi-directional audio / AEC / Mixed audio recording / Dumb / Mute
Network	
Network Protocols	TCP/IP, UDP, HTTP, DHCP, DNS/DDNS, RTP/RTCP, RTSP, PPPoE, FTP, VSIP, UPnP, 802.1x, NAT, QoS, SMTP, IPv4, IPv6 (optional)
User Interface	IPC Control (IE, Firefox, Chrome)
Max. User Access	Max. 10 Users (includes 2 internal)
Application Programming	Onvif (Profile S, Profile G), GB/T 28181-2011, API, CGI
Automatic Network Replenishment (ANR)	Supported
Recognitive Functions	
Target Detection	Person, Face up to 18 targets simultaneously
Captured Picture	Person, Face, Full view
Target Characters	Built-in picture comparison algorithm, best picture selection
People Counting	Direction / Speed level
Face Enhancement	Bi-directional Face Intelligence Exposure
Alarm	
Alarm Triggers	Alarm input / Network disconnect / Disk full / Disk error
Alarm Events	Alarm report / Recording / Text overlay / Snapshot / External output / Email notice / Acoustic alarm
Interfaces	
Ethernet	10/100M, RJ45 interface
Audio In / Out	2 x Line In / 1 x Line out
Control	1 x RS485
Alarm In / Out	2 x Input / 1 x Output
Memory Slot	Micro SD card slot, supports up to 128GB
Environmental	
Operating Temperature	-40°C ~ 60°C / -40°F ~ 140°F
Operating Humidity	10% ~ 95%
Protection Level	IP66
Electrical	
Power	AC 24V ± 10%
Power Consumption	Max. 25W
Mechanical	
Weight	2.8kg / 6.17lb (Gross Weight)
Dimensions	383 x 129.9 x 133mm / 15.05" x 5.11" x 5.24"

IPC2255-Gi7N

Recognitive HD Network Varifocal Bullet Camera



Features

Excellent Image Quality

- 2.0 Megapixel 1/1.9" Progressive Scan CMOS Sensor
- High definition and smooth picture, 1080p@30fps
- Ultra low illumination, 0.001lux with color picture
- WDR / HLC / 3D noise reduction

Recognitive Functions

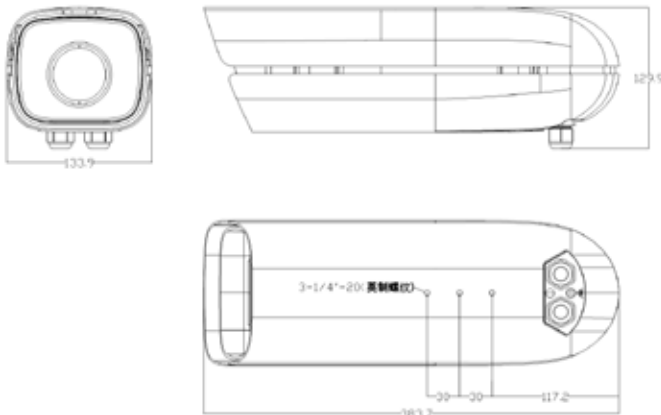
- Human Silhouette and Vehicle capturing
- Built-in picture comparison algorithm, best picture selection

Abundant Functions and Features

- Micro SD card slot, supports Automatic Network Replenishment (ANR)
- Bi-directional audio / alarm in&out / RS485
- -40°C ~ 60°C operation temperature
- IP66

Dimensions

Units:mm

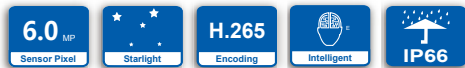


Specifications

	IPC2255-Gi7N
Camera	
Image Sensor	1/1.9" Progressive Scan CMOS
Pixels	2.0 Megapixel
Min. Illumination	Color: 0.001Lux @ (F1.4, AGC ON) B/W: 0.0001Lux @ (F1.4, AGC ON)
Shutter Speed	1/7.5 ~ 1/16,000s
Day / Night	Auto (ICR) / Color / B/W
Wide Dynamic Range	Digital WDR
S/N Ratio	52dB
White Balance	Auto / Manual
Gain Control	Auto / Manual
Backlight Compensation	Off / WDR / BLC / HLC
Lens	
Auto Iris	DC drive
Focal Length	15 ~ 50mm @ F1.4 motorized varifocal lens
Focus Control	Manual / Semi-Automatic / Auto
Night View	
White LED Distance	20m ~ 30m
Video	
Compression	H.265 / H.264
Image Resolution	Main stream: 1080p Secondary stream: D1
Frame Rate	Main stream: 1080p@30fps Secondary stream: D1@30fps
Bitrate	32kbps ~ 16Mbps
Bitrate Control	VBR / CBR
Multi-stream	Supported
Caption	Date and time / Alarm / Direction / Customized
Privacy Masking	Up to 4 zones
Motion Detection	Up to 4 zones
Video Freeze	Supported
Digital Noise Reduction	3D noise reduction
Image Flip	Flip / Mirror
Audio	
Compression	G.711a / G.711u / ADPCM / G.722 / AAC-LC / G.722.1c
Bitrate	32kbps ~ 64kbps
Audio Function	Bi-directional audio / AEC / Mixed audio recording / Dumb / Mute
Network	
Network Protocols	TCP/IP, UDP, HTTP, DHCP, DNS/DDNS, RTP/RTCP, RTSP, PPPoE, FTP, VSIP, UPnP, 802.1x, NAT, QoS, SMTP, IPv4, IPv6 (optional)
User Interface	IPC Control (IE, Firefox, Chrome)
Max. User Access	Max. 10 Users (includes 2 internal)
Application Programming	Onvif (Profile S, Profile G), GB/T 28181-2011, API, CGI
Automatic Network Replenishment (ANR)	Supported
Recognitive Functions	
Target Detection	Human silhouette, Vehicle
Captured Picture	Human silhouette, Vehicle Built-in picture comparison algorithm, best picture selection
Alarm	
Alarm Triggers	Alarm input / Network disconnect / Disk full / Disk error
Alarm Events	Alarm report / Recording / Text overlay / Snapshot / External output / Email notice / Acoustic alarm
Interfaces	
Ethernet	10/100M, RJ45 interface
Audio In / Out	2 x Line in / 1 x Line out
Control	1 x RS485
Alarm In / Out	2 x Input / 1 x Output
Memory Slot	Micro SD card slot, supports up to 128GB
Environmental	
Operating Temperature	-40°C ~ 60°C / -40°F ~ 140°F
Operating Humidity	10% ~ 95%
Protection Level	IP66
Electrical	
Power	AC 24V ± 10%
Power Consumption	Max. 36W
Mechanical	
Weight	2.8kg / 6.17lb (Gross Weight)
Dimensions	383 x 129.9 x 133mm / 15.05" x 5.11" x 5.24"

IPC2655-Gi7N

Recognitive HD Network Varifocal Bullet Camera



Features

Excellent Image Quality

- 6.0 Megapixel 1/1.8" Progressive Scan CMOS Sensor
- High definition and smooth picture, 3072 x 2048@30fps
- WDR / HLC / 3D noise reduction

Recognitive Functions

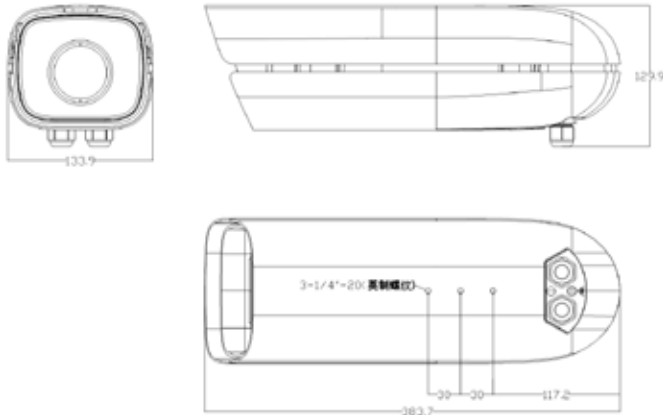
- Human Silhouette and Vehicle capturing
- Built-in picture comparison algorithm, best picture selection

Abundant Functions and Features

- Micro SD card slot, supports Automatic Network Replenishment (ANR)
- Bi-directional audio / alarm in&out / RS485
- -40°C ~ 60°C operation temperature
- IP66

Dimensions

Units:mm



Specifications

	IPC2655-Gi7N
Camera	
Image Sensor	1/1.8" Progressive Scan CMOS
Pixels	6.0 Megapixel
Min. Illumination	Color: 0.01Lux @ (F1.4, AGC ON) B/W: 0.001Lux @ (F1.4, AGC ON)
Shutter Speed	1/7.5 ~ 1/16,000s
Day / Night	Auto (ICR) / Color / B/W
Wide Dynamic Range	Digital WDR
S/N Ratio	52dB
White Balance	Auto / Manual
Gain Control	Auto / Manual
Backlight Compensation	Off / WDR / BLC / HLC
Lens	
Auto Iris	DC drive
Focal Length	15 ~ 50mm @ F1.4 motorized varifocal lens
Focus Control	Manual / Semi-Automatic / Auto
Night View	
White LED Distance	20m ~ 30m
Video	
Compression	H.265 / H.264
Image Resolution	Main stream: 3072 x 2048 Secondary stream: D1
Frame Rate	Main stream: 3072 x 2048@30fps Secondary stream: D1@30fps
Bitrate	32kbps ~ 16Mbps
Bitrate Control	VBR / CBR
Multi-stream	Supported
Caption	Date and time / Alarm / Direction / Customized
Privacy Masking	Up to 4 zones
Motion Detection	Up to 4 zones
Video Freeze	Supported
Digital Noise Reduction	3D noise reduction
Image Flip	Flip / Mirror
Audio	
Compression	G.711a / G.711u / ADPCM / G.722 / AAC-LC / G.722.1c
Bitrate	32kbps ~ 64kbps
Audio Function	Bi-directional audio / AEC / Mixed audio recording / Dumb / Mute
Network	
Network Protocols	TCP/IP, UDP, HTTP, DHCP, DNS/DDNS, RTP/RTCP, RTSP, PPPoE, FTP, VSIP, UPnP, 802.1x, NAT, QoS, SMTP, IPv4, IPv6 (optional)
User Interface	IPC Control (IE, Firefox, Chrome)
Max. User Access	Max. 10 Users (includes 2 internal)
Application Programming	Onvif (Profile S, Profile G), GB/T 28181-2011, API, CGI
Automatic Network Replenishment (ANR)	Supported
Recognitive Functions	
Target Detection	Human silhouette, Vehicle
Captured Picture	Human silhouette, Vehicle Built-in picture comparison algorithm, best picture selection
Alarm	
Alarm Triggers	Alarm input / Network disconnect / Disk full / Disk error
Alarm Events	Alarm report / Recording / Text overlay / Snapshot / External output / Email notice / Acoustic alarm
Interfaces	
Ethernet	10/100M, RJ45 interface
Audio In / Out	2 x Line in / 1 x Line out
Control	1 x RS485
Alarm In / Out	2 x Input / 1 x Output
Memory Slot	Micro SD card slot, supports up to 128GB
Environmental	
Operating Temperature	-40°C ~ 60°C / -40°F ~ 140°F
Operating Humidity	10% ~ 95%
Protection Level	IP66
Electrical	
Power	AC 24V ± 10%
Power Consumption	Max. 36W
Mechanical	
Weight	2.8kg / 6.17lb (Gross Weight)
Dimensions	383 x 129.9 x 133mm / 15.05" x 5.11" x 5.24"

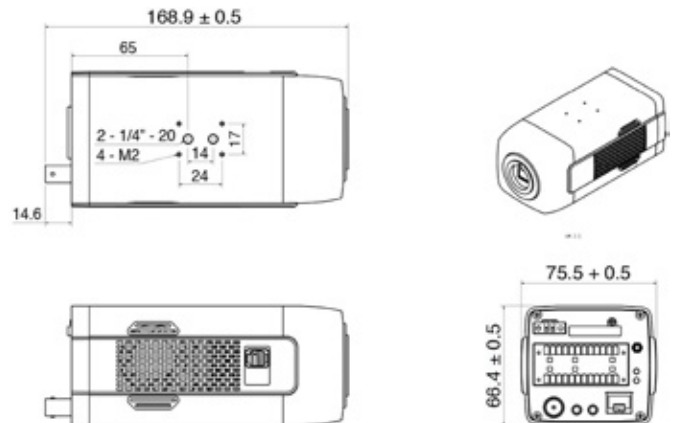
Recognitive Tracking System



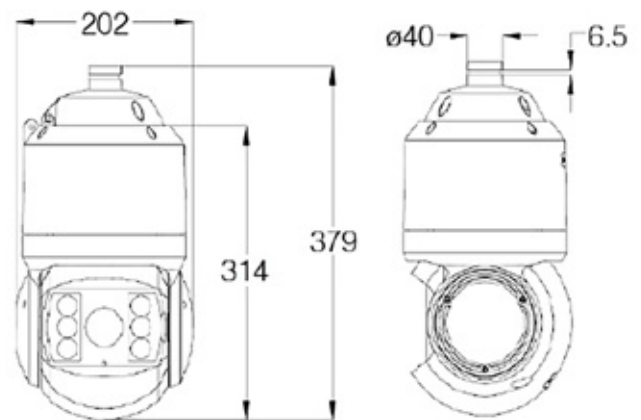
Dimensions

Units: mm

IPC121-BI5N



IPC425-i020-N



Features

- 1 box-type camera for panoramic view mode and to locate targets
- Up to 3 PTZ cameras to track and zoom-in on individual targets
- Camera built-in tracking algorithm
- PTZ track for large open space
- High accuracy multi target tracking
- High security virtual fencing zone
- Up to 60 moving targets
- Up to 10000 M² coverage
- High-speed target switching
- Target capturing and characters recognizing
- SDK support

Specifications

	IPC121-Bi5N
Camera	
Image Sensor	1/1.9" Progressive Scan CMOS
Pixels	2.0 Megapixel
Min. Illumination	Color: 0.002Lux @ (F1.2, AGC ON) B/W: 0.0002Lux @ (F1.2, AGC ON)
Shutter Speed	1/7.5 ~ 1/16,000s
Day / Night	Auto (ICR) / Color / B/W
S/N Ratio	>60dB
White Balance	Auto / Manual
Gain Control	Auto / Manual
Backlight Compensation	Off / BLC / HLC
Lens	
Mount Type	C / CS
Focal Length	3.6 ~ 10mm @ F1.5 manual varifocal lens
Video	
Compression Format	H.264
Image Resolution	Main stream: 1080p Secondary stream: D1
Frame Rate	Main stream: 1080p@25fps Secondary stream: D1@25fps
Bitrate	32kbps ~ 16Mbps
Bitrate Control	VBR / CBR
Multi Stream	Supported
Caption	Date&Time / Alarm / Customized
Video Freeze	Support
ROI	Support
Digital Noise Reduction	3D noise reduction
Guard Zone	
Guard Zone Level	up to 3 level, up to 8 zones per level
Regional Shield	up to 8 shield areas
Guard Scheme	Disable / Always / Scheduled
Alarm Caption	customized alarm caption supported
Intelligent Tracking	
Distance	up to 120m (Lock target)
Target Number	up to 60 simultaneously
Tracking Mode	Automatic / Semi-automatic
PTZ Camera Model	IPC425-i020-N supported
PTZ Camera Number	up to 3 PTZ cameras supported
Tracking Target Number	up to 3 simultaneously depending on the number of PTZ cameras
Target Tracked Time	Min. 5s / customized
Network	
Network Protocol	TCP/IP, UDP, HTTP, DHCP, DNS/DDNS, RTP/RTCP, RTSP, PPPoE, FTP, VSIP, UPnP, 802.1x, NAT, QoS, SMTP, IPv4, IPv6 (optional)
User Interface	IPC Control (IE, Firefox, Chrome)
Max. User Access	10 Users (include 2 internal access)
Application Program	Onvif (Profile S), GB/T 28181-2011, API, CGI
ANR	Support
Interfaces	
Ethernet	10/100M, RJ45 interface
Audio In / Out	1 x Line in / 1 x Line out
Control	3 x RS485, 1 x RS232
Alarm In / Out	2 x Input / 1 x Output
Video Out	1 x BNC, 1.0V [p-p] / 75Ω
Memory Slot	SD card slot, supports up to 128GB
Environmental	
Operating Temperature	-40°C ~ 70°C / -40°F ~ 158°F
Operating Humidity	10% ~ 95%
Electrical	
Power	12V DC ± 10% / 2A
Power Consumption	Max. 20W
Mechanical	
Weight	0.65Kg / 1.4lb (Gross Weight)
Dimensions	168.9 x 75.5 x 66.4mm / 6.65" x 2.98" x 2.62"
Accessories	
Standard	1 x Lens (RICOM HV03610D-IR-S), 1 x Housing (GH-111), 1 x box camera bracket (CM-W15), 1 x Power adapter (36W DC) n x PTZ camera bracket (DM-W43, n is the number of tracking PTZ cameras)
Optional	Tracking bracket (DM-W55, special designed for tracking system, replacement of one CM-W15 and one DM-W43) Distribution box (ITSBOX100)

	IPC425-i020-N
Camera	
Image Sensor	1/2.8" Progressive Scan CMOS
Pixels	2.0 Megapixel
Min. Illumination	Color: 0.005Lux @ (F1.4, AGC ON) B/W: 0.0005Lux @ (F1.4, AGC ON)
Shutter Speed	1 ~ 1/4,000s
Day / Night	Auto (ICR) / Color / B/W
S/N Ratio	>52dB
White Balance	Auto / Manual
Gain Control	Auto / Manual
Backlight Compensation	Off / BLC / WDR
Lens	
Focal Length	4.4 ~ 132mm, 30x
Zoom Speed	Approx 3s (Optical)
Angle of View	63.4° ~ 2.3° (Wide~Tele)
Min. Object Distance	300 ~ 1500mm (Wide~Tele)
Max. Aperture Ratio	F1.4 (Wide) / F4.6 (Tele)
Focus Control	Auto / Manual / Semi-Automatic
Infrared	
IR LED	12pcs IR LED Array
IR Distance	120 ~ 180m
IR Intensity	Automatically adjust according to zoom ratio
Pan and Tilt	
Pan / Tilt Range	360° Endless / -15° ~ 90°
Pan / Tilt Speed	Pan manual speed: 0.1° ~ 200°/s; Pan preset speed: 220°/s Tilt manual speed: 0.1° ~ 150°/s; Tilt preset speed: 200°/s
Proportional Zoom	Pan / Tilt speed can be adjusted automatically according to zoom multiples
Preset	256
Power-off Memory	Power-off memory / Power-on recovery
Auto Guard	Supported
PT Limit	Manual / Scan / Pan
3D Positioning	PTZ control with mouse click and drag
Wiper	Supported
Video	
Compression Format	H.264
Image Resolution	Main stream: 1080p Secondary stream: D1
Frame Rate	Main stream: 1080p@25fps Secondary stream: D1@25fps
Bitrate	32kbps ~ 16Mbps
Bitrate Control	VBR / CBR
Multi Stream	Supported
Caption	Date&Time / Alarm / Direction / Customized
Motion Detection	Supported
Video Freeze	Supported
ROI	Supported
Digital Noise Reduction	3D noise reduction
Image Flip	Flip / Mirror
Intelligent Tracking	
Target Capturing Mode	Automatic
Captured Picture No.	1 ~ 5
Target Characters	Type / Time of appear / Time of left / Direction / Color / Speed level / Size level
Network	
Network Protocol	TCP/IP, UDP, HTTP, DHCP, DNS/DDNS, RTP/RTCP, RTSP, PPPoE, FTP, VSIP, UPnP, 802.1x, NAT, QoS, SMTP, IPv4, IPv6 (optional)
User Interface	IPC Control (IE, Firefox, Chrome)
Max. User Access	10 Users (include 2 internal access)
Application Program	Onvif (Profile S), GB/T 28181-2011, API, CGI
ANR	Support
Alarm	
Alarm Triggers	Network disconnect / Motion detection
Alarm Events	Alarm report / Text overlay / External output / Email notice
Interfaces	
Ethernet	10/100M, RJ45 interface
Audio In / Out	1 x Line in / 1 x Line out
Control	1 x RS485
Alarm In / Out	4 x Input / 2 x Output
Video Out	1 x BNC, 1.0V [p-p] / 75Ω
Memory Slot	SD card slot, supports up to 128GB
Environmental	
Operating Temperature	-40°C ~ 70°C / -40°F ~ 158°F
Operating Humidity	10% ~ 95%
Protection Level	IP66, TVS 6000V lightning protection, surge protection and voltage transient protection
Electrical	
Power	24V AC / 4A (Power adapter included)
Power Consumption	Max. 60W (Heater on & IR on)
Mechanical	
Weight	8Kg / 17.6lb (Gross Weight)
Dimensions	Φ214 x 379mm / Φ8.43" x 14.92"

Specifications

	CH-111	CM-W15
Mechanical		
Weight	2.5Kg	0.5Kg
Dimensions	450mm x 143mm x 114.5mm	270mm
		
Format	1/1.9"	
Focal Length	3.6 ~ 10mm @ F1.5 manual varifocal lens	
Mount Type	C / CS	
Dimensions	Φ34 x 37.1mm	
		

	DM-W43	DM-W55
Mechanical		
Weight	0.5Kg	3.8Kg
Dimensions	353mm	303.5mm x 211mm x 204mm
		
Standard	ITSBOX100	
Shielding	Zinc plating	
Protection Level	IP54	
Mechanical		
Weight	20Kg	
Dimensions	400mm x 250mm x 450mm	
		

Falcon

Human Recognition System



Features

High-performance, High-capacity

- Supports up to 500,000 cameras in one system
- Supports up to 10,000,000 Face / Human Detection Comparison Library
- Real-time multiple face matching, matching speed low to 2s
- Up to 98% face recognition accuracy

Deep Analysis

- Supports deep learning algorithm
- Supports human attributes analysis

Good Compatibility

- Supports different types of camera: Kedacom human recognitive camera, Kedacom standard IP camera, Third-party IP camera

Abundant Functions and Features

- Three types of snapshot: face, head and shoulder, person
- Supports recognizing and capturing the human side and back picture
- Supports searching picture by picture or attributes

Specifications

KProServer2 CPU Server	
Falcon Human Recognition System	
CPU Server Chassis	High density server chassis 19" 2U standard blade rack server chassis, able to insert 4 computing nodes, each computing node configuration 3 slot of 3.5 inch / 2.5 inch compatible hard drive slot, a total of 12 hard disk slot can be placed Include 2 unit of 1600W redundant platinum power supply
Computing Nodes	Computing Nodes for KProServer2 2 x Intel Xeon processor E5-2620V3 (6 core, 12 thread, 2.4GHz, 15MB Cache) 32GB RAM (KProServer2-N100-E01-32G) / 64GB RAM (KProServer2-N100-E01-64G) / 128GB RAM (KProServer2-N100-E02-128G) 3 x 1000M RJ45 OS license not included
HDD	Enterprise Class SATA HDD 4TB, 3.5", 7200 RPM, 6Gb/s, 64MB cache
Functions	Compares the attributes of each face Calculates the similarity percentage between faces
Operating Temperature	10°C ~ 40°C / 50°F ~ 104°F
Operating Humidity	50% ~ 90%
Power	100 ~ 127V AC, 50 ~ 60Hz / 200 ~ 240V AC, 50 ~ 60Hz
Power Consumption	Max. 1600W (4 computing nodes included)
Weight	38kg / 83.78lb (including 4 x nodes)
Chassis Dimensions	771 x 438 x 87.9mm / 30.35" x 17.24" x 3.46"
DeepEngine-1000 GPU Server	
GPU Server Chassis	High density server chassis 19" 4U standard blade rack server chassis, able to insert 6 computing nodes Include 4 unit of 1200W redundant platinum power supply
Computing Nodes	Computing Nodes for DeepEngine-1000 1 x 64 bit multi-core CPU, 2 x GPU, 32GB RAM 2 x 1000M RJ45, 64GB mSATA SSD OS license not included
Functions	Identifies the faces and persons in the video streaming Grabs the attributes of each face and person
Operating Temperature	0°C ~ 40°C / 32°F ~ 104°F
Operating Humidity	50% ~ 90%
Power	100 ~ 127V AC, 50 ~ 60Hz / 200 ~ 240V AC, 50 ~ 60Hz
Power Consumption	Max. 3000W (6 computing nodes included)
Weight	58kg / 127.87lb (including 6 x nodes)
Chassis Dimensions	820 x 440 x 177.8mm / 32.28" x 17.32" x 7"
System	
Supported Operating System	Windows10 Professional 64-bit / Windows 10 Enterprise 64-bit Windows 7 Professional 64-bit / Windows 7 Enterprise 64-bit / Windows 7 Ultimate 64-bit Windows Server 2008 / Windows Server 2012
Database	Elastic Search
Application System	Falcon Human Recognition System
User Management	Admin / User
Maximum Number Of Camera / Video Stream Access	Up to 500,000
Face / Human Detection Comparison Library	Up to 10,000,000
Camera Access Type	Kedacom human recognitive camera Kedacom standard IPC (by Kedacom VMS) Third-party IPC (by Kedacom VMS and NVR) RTSP Video Stream (Optional) Face and human pictures (By IPSAN)
Storage	
Recognitive Functions	
Target Detection	Identifies the faces and persons in the video streaming
Captured Picture	Person, Face, Full view
Face Matching	Real-time / Post-event
Analysis	Analyzes attributes of human and face image, grabs the gender, age group, with or without glasses and mask, color of clothes, texture of clothes, direction, speed level
Search Mode	Date and time / Camera / Face image / Person image / Attributes (gender, age group, with or without glasses and mask, color of clothes, texture of clothes, direction, speed level)
People Counting	Bi-directional
Alarm	
Alarm Triggers	Face matching
Alarm Events	Alarm report / Snapshot / Acoustic alarm
Video	
Compression	H.265 / H.264
Live View	1080p@30fps
Network	
Network Protocols	TCP/IP, UDP, RTSP, VSIP, 802.1x, IPv4
User Interface	EPAS Client

NVR1829-01B

1 Bay Commercial Network Video Recorder



Features

High-performance

- H.265 supported
- 1 x 4K@30fps / 4 x 1080p@30fps video decoding capability
- Up to 16 channels and 4K supported
- Up to 80Mbps incoming bandwidth
- Up to 64Mbps output bandwidth

Small size

- 0.7kg / 1.54lb
- 254 x 194 x 33mm / 10" x 7.64" x 1.3"

Easy to install

- Automatic network organizing
- Built-in DHCP server

High reliability

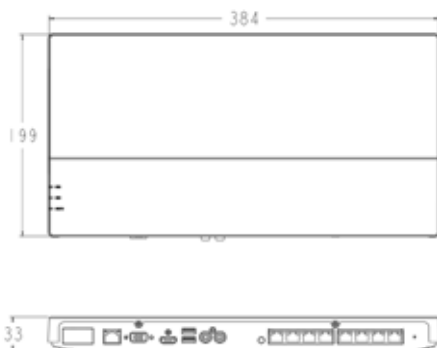
- Embedded Linux
- Low power consumption
- Supports Packet Loss Recovery (PLR)

Abundant functions and features

- Long term recording
- HDMI/VGA simultaneously output different content
- E-Map, TV-Wall supported
- Bi-directional audio, Broadcasting
- NAT
- Alarm management
- Free CMS (V Station), supports 128 NVR simultaneously
- CMS supports 6 screens simultaneously (4 x Live viewing, 1 x E-Map, 1 x TV-Wall)

Dimensions

Units:mm



Specifications

	NVR1829-01004B/4P	NVR1829-01009B/4P	NVR1829-01016B/4P	NVR1829-01004B	NVR1829-01009B	NVR1829-01016B
Video/Audio Input	4 channel	9 channel	16 channel	4 channel	9 channel	16 channel
IP Camera Input	4 channel	9 channel	16 channel	4 channel	9 channel	16 channel
Resolution	8MP(4K), 6MP, 5MP, 4MP, 3MP, 1080p, UXGA, 960p, 720p, XGA, SVGA, D1, CIF, QCIF					
Compression	H.265 / H.264					
Protocols	Onvif, RTSP, KEDACOM					
Incoming Bandwidth	20Mbps	45Mbps	80Mbps	20Mbps	45Mbps	80Mbps
Live Viewing	1 x HDMI, 1 x VGA, simultaneously output different content					
Local Display	1/1, 4/4, 1+5/1+5, 1+7/1+7, 9/9, 16/16					
Multi Screen Display	Local monitor					
Multi Screen Display	up to 4 screen simultaneously					
Client	1 ~ 64 Multiple Layouts					
E-Map	Live Viewing in E-Map (V Station)					
Function	E-PTZ / Scheme (V Station) / Virtual channel					
Recording	8MP(4K), 6MP, 5MP, 4MP, 3MP, 1080p, UXGA, 960p, 720p, XGA, SVGA, D1, CIF, QCIF					
Resolution	8MP(4K), 6MP, 5MP, 4MP, 3MP, 1080p, UXGA, 960p, 720p, XGA, SVGA, D1, CIF, QCIF					
Mode	Manual / Continuous / Schedule / Event (Pre / Post) / Long term recording					
Event Trigger	Supported					
Tag	Supported					
Search & Playback	Date and time (Calendar) / Event					
Search Mode	Date and time (Calendar) / Event					
Resolution	8MP(4K), 6MP, 5MP, 4MP, 3MP, 1080p, UXGA, 960p, 720p, XGA, SVGA, D1, CIF, QCIF					
Playback	1 x 4K@30fps	1 x 4K@30fps / 4 x	1 x 4K@30fps	1 x 4K@30fps	1 x 4K@30fps / 4 x	1 x 4K@30fps / 4 x
(Local Monitor)	/ 4 x	1080p@30fps / 9 x	/ 4 x	/ 4 x	1080p@30fps / 9 x	1080p@30fps / 9 x
Playback (Client)	1080p@30fps	720p@30fps	1080p@30fps	1080p@30fps	720p@30fps	720p@30fps
Playback (Client)	up to 16 x 4K@30fps					
Synchronize	1 x 4K@30fps / 4 x 1080p@30fps / 9 x 720p@30fps					
Playback (Local Monitor)	1 x 4K@30fps / 4 x 1080p@30fps / 9 x 720p@30fps					
Synchronize	up to 16 x 4K@30fps					
Playback (Client)	Slow forward / Fast forward / Loop / Single frame / E-PTZ					
Function	Slow forward / Fast forward / Loop / Single frame / E-PTZ					
Storage	1 x 3.5" HDD					
Max. Internal HDDs	Max. 8TB (up to 8TB/each)					
Audio	G.711a / G.711u / ADPCM / G.722 / G.722.1c / AAC-LC					
Compression	G.711a / G.711u / ADPCM / G.722 / G.722.1c / AAC-LC					
Bit rate	32kbps ~ 64kbps					
Audio Function	Bi-directional audio / Dumb / Mute / Broadcasting					
Alarm	Alarm input / Video lost / Motion detection / Tampering / Guard line / Defocus / Scene change / Enter guard area / Exit guard area / Object left / Object removal / Gathering / Audio surge					
Service Alarm Triggers	Alarm input / Video lost / Motion detection / Tampering / Guard line / Defocus / Scene change / Enter guard area / Exit guard area / Object left / Object removal / Gathering / Audio surge					
System Alarm Triggers	Device disconnected / No disk / Disk error / IP Address conflict / Network disconnected / Low speed / Insufficient recording space / MAC address conflict / Insufficient snapshot space					
Alarm Events	Snapshot / Recording / PTZ preset / Buzzer / Email / Link to Client / Alarm caption / Live view in first window / Link to TV Wall / Link to secondary screen / Full screen viewing					
System	Embedded Linux					
Operating System	Embedded Linux					
User Management	Admin / User					
Log Management	User login / User operation / Alarm / Backup / Update					
Application Programming	V Station SDK					
Network	TCP/IP, UDP, HTTP, DHCP, DNS/DDNS, RTP/RTCP, RTSP, PPPoE, FTP, SNT, VSP, UPNP, SMT, IPv4, IPv6 (optional)					
Network Protocols	TCP/IP, UDP, HTTP, DHCP, DNS/DDNS, RTP/RTCP, RTSP, PPPoE, FTP, SNT, VSP, UPNP, SMT, IPv4, IPv6 (optional)					
Viewer Software	CMS (V Station) / Web / iOS app / Android app					
Max. User Access	16 Users					
Output Bandwidth	64Mbps					
Function	NAT / Multiple network access / Packet loss recovery / Auto network organizing					
Network Test	Supported					
Interfaces	1 x Gigabit network port, RJ45 interface					
Ethernet	1 x 10/100M, RJ45 interface		1 x Gigabit network port, RJ45 interface	1 x 10/100M, RJ45 interface	1 x Gigabit network port, RJ45 interface	1 x Gigabit network port, RJ45 interface
PoE	4 x 10/100M PoE port, RJ45 interface, 15W / each port					
Video Out	1 x HDMI (up to 3840 x 2160@60Hz)					
	1 x VGA (up to 1920 x 1080@60Hz)					
Audio In / Out	1 x RCA Line in / 1 x RCA Line out					
USB	2 x USB 2.0					
Environmental	-10°C ~ 55°C / 14°F ~ 131°F					
Operating Temperature	-10°C ~ 55°C / 14°F ~ 131°F					
Operating Humidity	10% ~ 90%					
Electrical	48V DC ± 10%					
Power	48V DC ± 10%					
Power Consumption	Max. 40W (HDD not included)			12V DC ± 10%		
	Max. 40W (HDD not included)			Max. 10W (HDD not included)		
Mechanical	0.7kg / 1.54lb (HDD not included)					
Weight	0.7kg / 1.54lb (HDD not included)					
Dimensions	254 x 194 x 33mm / 10" x 7.64" x 1.3"					

NVR1828-01B

1 Bay Commercial Network Video Recorder



Features

High-performance

- H.265 supported
- 1 x 4K@30fps / 4 x 1080p@30fps video decoding capability
- Up to 16 channels and 4K supported
- Up to 80Mbps incoming bandwidth
- Up to 64Mbps output bandwidth

Small size

- 1.2kg / 2.65lb
- 384 x 199 x 33mm / 15.1" x 7.83" x 1.3"

Easy to install

- Automatic network organizing
- Built-in DHCP server

High reliability

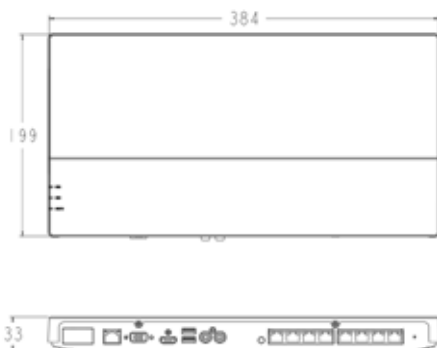
- Embedded Linux
- Low power consumption
- Supports Packet Loss Recovery (PLR)

Abundant functions and features

- Long term recording
- HDMI/VGA simultaneously output different content
- E-Map, TV-Wall supported
- Bi-directional audio, Broadcasting
- NAT
- Alarm management
- Free CMS (V Station), supports 128 NVR simultaneously
- CMS supports 6 screens simultaneously (4 x Live viewing, 1 x E-Map, 1 x TV-Wall)

Dimensions

Units:mm



Specifications

	NVR1828-01009B/8P	NVR1828-01016B/8P
Video/Audio Input		
IP Camera Input	9 channel	16 channel
Resolution	8MP(4K), 6MP, 5MP, 4MP, 3MP, 1080p, UXGA, 960p, 720p, XGA, SVGA,	
Compression	D1, CIF, QCIF	
Protocols	H.265 / H.264	
Incoming Bandwidth	Onvif, RTSP, KEDACOM	
Live Viewing	45Mbps	80Mbps
Local Display	1 x HDMI, 1 x VGA, simultaneously output different content	
Multi Screen Display Local monitor	1/1, 4/4, 1+5/1+5, 1+7/1+7, 9/9, 16/16	
Multi Screen Display Client	up to 4 screen simultaneously:	
E-Map Function	1 ~ 64 Multiple Layouts	
Recording	Live Viewing in E-Map (V Station)	
Resolution	E-PTZ / Scheme (V Station) / Virtual channel	
Mode	8MP(4K), 6MP, 5MP, 4MP, 3MP, 1080p, UXGA, 960p, 720p, XGA, SVGA,	
Event Trigger	D1, CIF, QCIF	
Tag	Manual / Continuous / Schedule / Event (Pre / Post) / Long term	
Search & Playback	recording	
Search Mode	Supported	
Resolution	Supported	
Playback (Local Monitor)	Date and time (Calendar) / Event	
Play back (Client)	8MP(4K), 6MP, 5MP, 4MP, 3MP, 1080p, UXGA, 960p, 720p, XGA, SVGA,	
Synchronize Playback (Local Monitor)	D1, CIF, QCIF	
Synchronize Playback (Client)	1 x 4K@30fps / 4 x 1080p@30fps / 9 x 720p@30fps	
Function	up to 16 x 4K@30fps	
Storage	up to 16 x 4K@30fps	
Max. Internal HDDs	Slow forward / Fast forward / Loop / Single frame / E-PTZ	
Audio	1 x 3.5" HDD	
Bit rate	Max. 8TB (up to 8TB/each)	
Alarm Function	G.711a / G.711u / ADPCM / G.722 / G.722.1c / AAC-LC	
Alarm	32kbps ~ 64kbps	
Service Alarm Triggers	Bi-directional audio / Dumb / Mute / Broadcasting	
System Alarm Triggers	Alarm input / Video lost / Motion detection / Tampering / Guard line / Defocus / Scene change / Enter guard area / Exit guard area / Object left / Object removal / Gathering / Audio surge	
Alarm Events	Device disconnected / No disk / Disk error / IP Address conflict / Network disconnected / Low speed / Insufficient recording space / MAC address conflict / Insufficient snapshot space	
System	Snapshot / Recording / PTZ preset / Buzzer / Email / Link to Client / Alarm caption / Live view in first window / Link to TV Wall / Link to secondary screen / Full screen viewing	
Operating System	Embedded Linux	
User Management	Admin / User	
Log Management	User login / User operation / Alarm / Backup / Update	
Application Programming	V Station SDK	
Network Protocols	TCP/IP, UDP, HTTP, DHCP, DNS/DDNS, RTP/RTCP, RTSP, PPPoE, FTP, SNMP, VSIP, UPNP, SMTp, IPv4, IPv6 (optional)	
Viewer Software	CMS (V Station) / Web / iOS app / Android app	
Max. User Access	16 Users	
Output Bandwidth	64Mbps	
Function	NAT / Multiple network access / Packet loss recovery / Auto network organizing	
Network Test	Supported	
Interfaces		
Ethernet	1 x 10/100M, RJ45 interface	1 x Gigabit network port, RJ45 interface
PoE	8 x 10/100M PoE port, RJ45 interface, 15W / each port	
Video Out	1 x HDMI (up to 3840 x 2160@60Hz)	
Audio In / Out	1 x VGA (up to 1920 x 1080@60Hz)	
Alarm In / Out	1 x RCA Line in / 1 x RCA Line out	
Control	4 x Inputs / 2 x Outputs	
USB	1 x RS485	
Environmental	2 x USB 2.0	
Operating Temperature	-10°C ~ 55°C / 14°F ~ 131°F	
Operating Humidity	10% ~ 90%	
Electrical		
Power	48V DC ± 10%	
Power Consumption	Max. 40W (HDD not included)	
Mechanical		
Weight	1.2kg / 2.65lb (HDD not included)	
Dimensions	384 x 199 x 33mm / 15.1" x 7.83" x 1.3"	

NVR1828-02B

2 Bay Commercial Network Video Recorder



Features

High-performance

- H.265 supported
- 1 x 4K@30fps / 4 x 1080p@30fps video decoding capability
- Up to 16 channels and 4K supported
- Up to 80Mbps incoming bandwidth
- Up to 64Mbps output bandwidth

Small size

- 1.2kg / 2.65lb
- 384 x 199 x 33mm / 15.1" x 7.83" x 1.3"

Easy to install

- Automatic network organizing
- Built-in DHCP server

High reliability

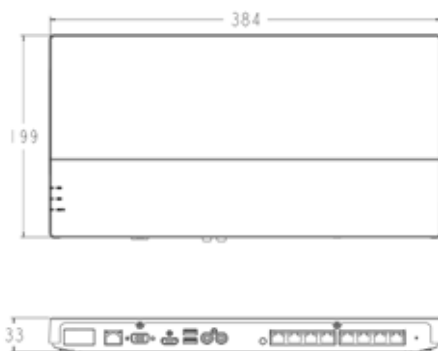
- Embedded Linux
- Low power consumption
- Supports Packet Loss Recovery (PLR)

Abundant functions and features

- Long term recording
- HDMI/VGA simultaneously output different content
- E-Map, TV-Wall supported
- Bi-directional audio, Broadcasting
- NAT
- Alarm management
- Free CMS (V Station), supports 128 NVR simultaneously
- CMS supports 6 screens simultaneously (4 x Live viewing, 1 x E-Map, 1 x TV-Wall)

Dimensions

Units:mm

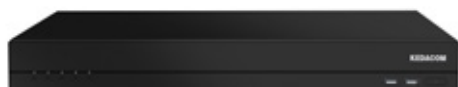


Specifications

	NVR1828-02009B/8P	NVR1828-020016B/8P	NVR1828-02004B	NVR1828-02009B	NVR1828-02016B
Video/Audio Input					
IP Camera Input	9channel	16 channel	4 channel	9 channel	16 channel
Resolution	8MP(4K), 6MP, 5MP, 4MP, 3MP, 1080p, UXGA, 960p, 720p, XGA, SVGA, D1, CIF, QCIF				
Compression	H.265 / H.264				
Protocols	Onvif, RTSP, KEDACOM				
Incoming Bandwidth	45Mbps	80Mbps	20Mbps	45Mbps	80Mbps
Live Viewing					
Local Display	1 x HDMI, 1 x VGA, simultaneously output different content				
Multi Screen					
Display Local monitor	1/1, 4/4, 1+5/1+5, 1+7/1+7, 9/9, 16/16				
(Main / Secondary)					
Multi Screen	up to 4 screen simultaneously:				
Display Client	1 ~ 64 Multiple Layouts				
E-Map	Live Viewing in E-Map (NVR Station)				
Function	E-PTZ / Scheme (V Station) / Virtual channel				
Recording					
Resolution	8MP(4K), 6MP, 5MP, 4MP, 3MP, 1080p, UXGA, 960p, 720p, XGA, SVGA, D1, CIF, QCIF				
Mode	Manual / Continuous / Schedule / Event (Pre / Post) / Long term recording				
Event Trigger	Supported				
Tag	Supported				
Search & Playback					
Search Mode	Date and time (Calendar) / Event				
Resolution	8MP(4K), 6MP, 5MP, 4MP, 3MP, 1080p, UXGA, 960p, 720p, XGA, SVGA, D1, CIF, QCIF				
Playback	1 x 4K@30fps / 4 x 1080p@30fps / 9 x 720p@30fps				
(Local Monitor)	1 x 4K@30fps / 4 x 1080p@30fps				
Playback (Client)	up to 16 x 4K@30fps				
Synchronize					
Playback (Local Monitor)	4 x 1080p@30fps				
Synchronize					
Playback (Client)	up to 16 x 4K@30fps				
Function	Slow forward / Fast forward / Loop / Single frame / E-PTZ				
Storage					
Max. Internal HDDs	2 x 3.5" HDD				
	Max. 16TB (up to 8TB/each)				
Audio					
Compression	G.711a / G.711u / ADPCM / G.722 / G.722.1c / AAC-LC				
Bit rate	32kbps ~ 64kbps				
Audio Function	Bi-directional audio / Dumb / Mute / Broadcasting				
Alarm					
Service Alarm Triggers	Alarm input / Video lost / Motion detection / Tampering / Guard line / Defocus / Scene change / Enter guard area / Exit guard area / Object left / Object removal / Gathering / Audio surge				
System Alarm Triggers	Device disconnected / No disk / Disk error / IP Address conflict / Network disconnected / Low speed / Insufficient recording space / MAC address conflict / Insufficient snapshot space				
Alarm Events	Snapshot / Recording / PTZ preset / Buzzer / Email / Link to Client / Alarm caption / Live view in first window / Link to TV Wall / Link to secondary screen / Full screen viewing				
System					
Operating System	Embedded Linux				
User Management	Admin / User				
Log Management	User login / User operation / Alarm / Backup / Update				
Application Programming	V Station SDK				
Network					
Network Protocols	CMS (V Station) / Web / iOS app / Android app				
Viewer Software	16 Users				
Max. User Access	64Mbps				
Output Bandwidth Function	NAT / Multiple network access / Packet loss recovery / Auto network organizing				
Network Test	Supported				
Interfaces					
Ethernet	1 x 10/100M, RJ45 interface	1 x Gigabyte network port, RJ45 interface	1 x 10/100M, RJ45 interface	1 x Gigabyte network port, RJ45 interface	
PoE	8 x 10/100M PoE port, RJ45 interface, 15W / each port				
Video Out	1 x HDMI (up to 3840 x 2160@60Hz)				
Audio In / Out	1 x RCA Line in / 1 x RCA Line out				
Alarm In / Out	4 x Inputs / 2 x Outputs				
Control	1 x RS485				
USB	2 x USB 2.0				
Environmental					
Operating Temperature	-10°C ~ 55°C / 14°F ~ 131°F				
Operating Humidity	10% ~ 90%				
Electrical					
Power	48V DC ± 10%		12V DC ± 10%		
Consumption	Max. 80W (HDD not included)		Max. 15W (HDD not included)		
Mechanical					
Weight	1.2kg / 2.65lb (HDD not included)		1kg / 2.2lb (HDD not included)		
Dimensions	384 x 199 x 33mm / 15.1" x 7.83" x 1.3"				

NVR1827-04B

2 Bay Commercial Network Video Recorder



Features

High-performance

- H.265 supported
- 1 x 4K@30fps / 4 x 1080p@30fps video decoding capability
- Up to 32 channels and 4K supported
- Up to 90Mbps incoming bandwidth
- Up to 64Mbps output bandwidth

Small size

- 1.2kg / 2.65lb
- 384 x 199 x 33mm / 15.1" x 7.83" x 1.3"

Easy to install

- Automatic network organizing
- Built-in DHCP server

High reliability

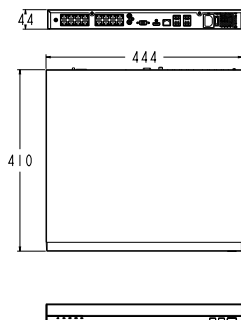
- Embedded Linux
- Low power consumption
- Supports Packet Loss Recovery (PLR)

Abundant functions and features

- Long term recording
- HDMI/VGA simultaneously output different content
- E-Map, TV-Wall supported
- Bi-directional audio, Broadcasting
- NAT
- Alarm management
- Free CMS (V Station), supports 128 NVR simultaneously
- CMS supports 6 screens simultaneously (4 x Live viewing, 1 x E-Map, 1 x TV-Wall)

Dimensions

Units:mm



Specifications

	NVR1827-04016B/16P	NVR1827-040032B/16P	NVR1827-04009B	NVR1827-04016B	NVR1827-04032B
Video/Audio Input					
IP Camera Input	16channel	32 channel	9 channel	16 channel	32 channel
Resolution	8MP(4K), 6MP, 5MP, 4MP, 3MP, 1080p, UXGA, 960p, 720p, XGA, SVGA, D1, CIF, QCIF				
Compression	H.265 / H.264				
Protocols	Onvif, RTSP, KEDACOM				
Incoming Bandwidth	80Mbps	90Mbps	45Mbps	80Mbps	90Mbps
Live Viewing					
Local Display	1 x HDMI, 1 x VGA, simultaneously output different content				
Multi Screen					
Display Local monitor	1/1, 4/4, 1+5/1+5, 1+7/1+7, 9/9, 16/16				
(Main / Secondary):					
Multi Screen	up to 4 screen simultaneously:				
Display Client	1 ~ 64 Multiple Layouts				
E-Map	Live Viewing in E-Map (V Station)				
Function	E-PTZ / Scheme (V Station) / Virtual channel				
Recording					
Resolution	8MP(4K), 6MP, 5MP, 4MP, 3MP, 1080p, UXGA, 960p, 720p, XGA, SVGA, D1, CIF, QCIF				
Mode	Manual / Continuous / Schedule / Event (Pre / Post) / Long term recording				
Event Trigger	Supported				
Tag	Supported				
Search & Playback					
Search Mode	Date and time (Calendar) / Event				
Resolution	8MP(4K), 6MP, 5MP, 4MP, 3MP, 1080p, UXGA, 960p, 720p, XGA, SVGA, D1, CIF, QCIF				
Playback	1 x 4K@30fps / 4 x 1080p@30fps / 9 x 720p@30fps				
(Local Monitor)					
Playback(Client)	up to 16 x 4K@30fps				
Synchronize					
Playback (Local Monitor)	4 x 1080p@30fps				
Synchronize					
Playback (Client)	up to 16 x 4K@30fps				
Function	Slow forward / Fast forward / Loop / Single frame / E-PTZ				
Storage					
Max. Internal HDDs	4 x 3.5" HDD Max. 32TB (up to 8TB/each)				
Audio					
Compression	G.711a / G.711u / ADPCM / G.722 / G.722.1c / AAC-LC				
Bit rate	32kbps ~ 64kbps				
Audio Function	Bi-directional audio / Dumb / Mute / Broadcasting				
Alarm					
Service Alarm	Alarm input / Video lost / Motion detection / Tampering / Guard line / Defocus / Scene change / Enter guard area / Exit guard area / Object left / Object removal / Gathering / Audio surge				
Triggers					
System Alarm	Device disconnected / No disk / Disk error / IP Address conflict / Network disconnected / Low speed / Insufficient recording space / MAC address conflict / Insufficient snapshot space				
Triggers	Snapshot / Recording / PTZ preset / Buzzer / Email / Link to Client / Alarm caption / Live view in first window / Link to TV Wall / Link to secondary screen / Full screen viewing				
Alarm Events					
System					
Operating System	Embedded Linux				
User Management	Admin / User				
Log Management	User login / User operation / Alarm / Backup / Update				
Application	V Station SDK				
Programming					
Network					
Network Protocols	TCP/IP, UDP, HTTP, DHCP, DNS/DDNS, RTP/RTCP, RTSP, PPPoE, FTP, SNTp, VSPi, UPNP, SMTP, IPv4, IPv6 (optional)				
Viewer Software	CMS (V Station) / Web / iOS app / Android app				
Max. User Access	16 Users				
Output Bandwidth	64Mbps				
Function	NAT / Multiple network access / Packet loss recovery / Auto network organizing				
Network Test	Supported				
Interfaces					
Ethernet	1 x Gigabite network port, RJ45 interface	1 x Gigabite network port, RJ45 interface	1 x 10/100M, RJ45 interface	1 x Gigabite network port, RJ45 interface	
PoE	16 x 10/100M PoE port, RJ45 interface, 15W / each port				
Video Out	1 x HDMI (up to 3840 x 2160@60Hz) 1 x VGA (up to 1920 x 1080@60Hz)				
Audio In / Out	1 x RCA Line in / 1 x RCA Line out				
Alarm In / Out	4 x Inputs / 2 x Outputs				
Control	1 x RS485				
USB	2 x USB 2.0				
Environmental					
Operating Temperature	-10°C ~ 55°C / 14°F ~ 131°F				
Operating Humidity	10% ~ 90%				
Electrical					
Power	100 ~ 240V AC, 50 ~ 60Hz				
Power Consumption	Max. 280W (HDD not included)		Max. 15W (HDD not included)		
Mechanical					
Weight	5kg / 11lb (HDD not included)		4.5kg / 9.9lb (HDD not included)		
Dimensions	444 x 410 x 33mm / 17.48" x 16.14" x 1.3"				

NVR1821-04A

4 Bay Professional Network Video Recorder



Features

High-performance, High-capacity

- H.265 supported
- 4 x 4K@30fps / 16 x 1080p@30fps video decoding capability
- Up to 64 channels
- Up to 320Mbps incoming bandwidth
- 256Mbps output bandwidth
- 64 user access simultaneously
- Max. 4 HDDs up to 32TB storage
- e-SATA storage supported

Easy to install

- Automatic network organizing
- Built-in DHCP server

High reliability

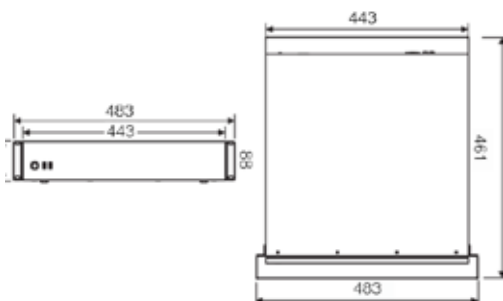
- Embedded Linux
- Low power consumption
- Supports Automatic Network Replenishment (ANR)
- Supports Packet Loss Recovery (PLR)
- N+1 Hot Backup

Abundant functions and features

- HDMI/VGA simultaneously output different content
- E-Map, TV-Wall supported
- Bi-directional audio, Broadcasting
- NAT, Socks5
- Alarm management
- Free CMS (NVR Station), supports 128 NVR simultaneously
- CMS supports 6 screens simultaneously (4 x Live viewing, 1 x E-Map, 1 x TV-Wall)

Dimensions

Units:mm



Specifications

	NVR1821-04009A	NVR1821-04016A	NVR1821-04032A
Video/Audio Input			
IP Camera Input	9 channel	16 channel	32 channel
Resolution	8MP(4K), 6MP, 5MP, 4MP, 3MP, 1080p, UXGA, 960p, 720p, XGA, SVGA, D1, CIF, QCIF		
Compression	H.265 / H.264		
Protocols	Onvif, RTSP, KEDACOM		
Bitrate	64kbps ~ 16384kbps		
Incoming Bandwidth	90Mbps	160Mbps	320Mbps
Live Viewing			
Local Display	1 x HDMI, 1 x VGA, simultaneously output different content		
Multi Screen Display Local monitor (Main / Secondary):	1, 3, 4, 9, 1+4, 1+8, 1/1, 2/1, 4/1, 1+4/1	1, 3, 4, 9, 15, 16, 1+4, 1+8, 1+9, 1+15, 1/1, 2/1, 4/1, 9/1, 15/1, 16/1, 1+4/1, 1+8/1, 1+9/1, 1+15/1, 4/9, 9/4, 9/9	1, 3, 4, 9, 15, 16, 25, 36, 1+4, 1+8, 1+9, 1+15, 1/1, 2/1, 4/1, 9/1, 15/1, 16/1, 36/1, 1+4/1, 1+8/1, 1+9/1, 1+15/1, 4/9, 9/4, 9/9, 16/16
Multi Screen Display Client	up to 4 screens simultaneously: 1, 3, 4, 9, 12, 16, 20, 25, 30, 36, 42, 49, 56, 63, 64 1+5, 1+7, 1+8, 1+9, 1+11, 1+12, 1+13, 1+15, 1+16, 1+33, 1+47, 1+48		
E-Map	Live Viewing in E-Map (NVR Station)		
Function	E-PTZ / Scheme / Polling / TV-Wall (optional with decoder) / Virtual channel		
Recording			
Resolution	8MP(4K), 6MP, 5MP, 4MP, 3MP, 1080p, UXGA, 960p, 720p, XGA, SVGA, D1, CIF, QCIF		
Mode	Manual / Continuous / Schedule / Event (Pre / Post)		
Event Trigger	Supported		
Tag	Supported		
Reliability	Automatic Network Replenishment (ANR)		
Search & Playback			
Search Mode	Date and time (Calendar) / Event		
Resolution	8MP(4K), 6MP, 5MP, 4MP, 3MP, 1080p, UXGA, 960p, 720p, XGA, SVGA, D1, CIF, QCIF		
Playback (Local Monitor)	4 x 4K@30fps / 9 x 1080p@30fps	4 x 4K@30fps / 16 x 1080p@30fps	
Playback (Client)	up to 16 x 4K@30fps		
Synchronize Playback (Local Monitor)	4 x 4K@30fps / 9 x 1080p@30fps	4 x 4K@30fps / 16 x 1080p@30fps	
Synchronize Playback (Client)	4 x 4K@30fps		
Function	Slow forward / Fast forward / Loop / Single frame / E-PTZ / Slice playback		
Storage			
Max. Internal HDDs	4 x 3.5" HDD		
RAID	Max. 32TB (up to 8TB/each) RAID 0/1/5/6/10		
External	iPSAN (iSCSI), up to 10 x iPSAN, Max. 100T (optional) e-SATA		
Function	Disk group / Quota / Disk dormancy		
Audio			
Compression	G.711a / G.711u / ADPCM / G.722 / G.722.1c / AAC-LC		
Bit rate	32kbps ~ 64kbps		
Audio Function	Bi-directional audio / Dumb / Mute / Broadcasting		
Alarm			
Service Alarm Triggers	Alarm input / Video lost / Motion detection / Tampering / Guard line / Defocus / Scene change / Enter guard area / Exit guard area / Object left / Object removal / Gathering / Audio surge		
System Alarm Triggers	Device disconnected / No disk / Disk error / IP Address conflict / Network disconnected / Low speed / Insufficient recording space / MAC address conflict / Insufficient snapshot space		
Alarm Events	Snapshot / Recording / PTZ preset / Buzzer / Email / Link to Client / Alarm caption / Live view in first window / Link to TV Wall / Link to secondary screen / Full screen viewing		
System			
Operating System	Embedded Linux		
User Management	Admin / User		
Log Management	User login / User operation / Alarm / Backup / Update		
Application Programming	NVR Station SDK		
Network			
Network Protocols	TCP/IP, UDP, HTTP, DHCP, DNS/DDNS, RTP/RTCP, RTSP, PPPoE, FTP, SNMP, VSIP, UPNP, SMTP, IPv4, IPv6 (optional)		
Viewer Software	CMS (NVR Station) / Web / iOS app / Android app		
Max. User Access	64 Users		
Output Bandwidth	256Mbps		
Function	NAT / Socks5 / Multiple network access / Packet loss recovery / Auto network organizing		
Network Test	Supported		
Hot Backup	N+1		
Interfaces			
Ethernet	2 x Gigabyte network port, RJ45 interface		
Video Out	1 x HDMI (up to 3840 x 2160@60Hz) 1 x VGA (up to 1920 x 1080@60Hz)		
Audio In / Out	1 x RCA Line in / 1 x RCA Line out		
Alarm In / Out	2 x Inputs / 2 x Outputs		
Control	2 x RS485		
USB	2 x USB 2.0 1x USB3.0		
e-SATA	1 x e-SATA		
Environmental			
Operating Temperature	-10°C ~ 55°C / 14°F ~ 131°F		
Operating Humidity	10% ~ 90%		
Electrical			
Power	100 ~ 240V AC, 50 ~ 60Hz		
Power Consumption	Max. 15W (HDD not included)		
Mechanical			
Weight	7.6kg / 16.72lb (HDD not included)		
Dimensions	443 x 461 x 88mm / 17.44" x 18.15" x 3.46"		

NVR1821-08A

8 Bay Professional Network Video Recorder



Features

High-performance, High-capacity

- H.265 supported
- 4 x 4K@30fps / 16 x 1080p@30fps video decoding capability
- Up to 64 channels
- Up to 320Mbps incoming bandwidth
- 256Mbps output bandwidth
- 64 user access simultaneously
- Max. 8 HDDs up to 64TB storage
- e-SATA storage supported

Easy to install

- Automatic network organizing
- Built-in DHCP server

High reliability

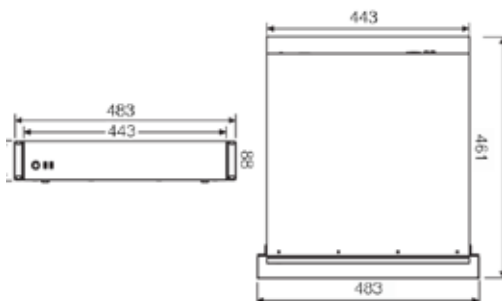
- Embedded Linux
- Low power consumption
- Supports Automatic Network Replenishment (ANR)
- Supports Packet Loss Recovery (PLR)
- N+1 Hot Backup

Abundant functions and features

- HDMI/VGA simultaneously output different content
- E-Map, TV-Wall supported
- Bi-directional audio, Broadcasting
- NAT, Socks5
- Alarm management
- Free CMS (NVR Station), supports 128 NVR simultaneously
- CMS supports 6 screens simultaneously (4 x Live viewing, 1 x E-Map, 1 x TV-Wall)

Dimensions

Units:mm



Specifications

	NVR1821-08009A	NVR1821-08016A	NVR1821-08032A	NVR1821-08064A
Video/Audio Input				
IP Camera Input	9 channel	16 channel	32 channel	64 channel
Resolution	8MP(4K), 6MP, 5MP, 4MP, 3MP, 1080p, UXGA, 960p, 720p, XGA, SVGA, D1, CIF, QCIF			
Compression	H.265 / H.264			
Protocols	Onvif, RTSP, KEDACOM			
Bitrate	64kbps ~ 16384kbps			
Incoming Bandwidth	90Mbps	160Mbps	320Mbps	320Mbps
Live Viewing	1 x HDMI, 1 x VGA, simultaneously output different content			
Local Display	1, 3, 4, 9, 15, 16, 1+4, 1+8, 1+9, 1+15, 1/1, 2/1, 4/1, 9/1, 15/1, 16/1, 1+4/1	1, 3, 4, 9, 15, 16, 1+4, 1+8, 1+9, 1+15, 1/1, 2/1, 4/1, 9/1, 15/1, 16/1, 1+4/1	1, 3, 4, 9, 15, 16, 25, 36, 1+4, 1+8, 1+9, 1+15, 1/1, 2/1, 4/1, 9/1, 15/1, 16/1, 1+4/1	1, 3, 4, 9, 15, 16, 25, 36, 48, 64, 1+4, 1+8, 1+9, 1+15, 1/1, 2/1, 4/1, 9/1, 15/1, 16/1, 36/1, 48/1, 64/1, 1+4/1, 1+8/1, 1+9/1, 1+15/1, 4/9, 9/4, 9/9, 16/16
Multi Screen Display Local monitor (Main / Secondary):	1, 3, 4, 9, 1+4, 1+8, 1/1, 2/1, 4/1, 1+4/1	1, 3, 4, 9, 15, 16, 1+4, 1+8, 1+9, 1+15, 1/1, 2/1, 4/1, 9/1, 15/1, 16/1, 1+4/1	1, 3, 4, 9, 15, 16, 25, 36, 1+4, 1+8, 1+9, 1+15, 1/1, 2/1, 4/1, 9/1, 15/1, 16/1, 1+4/1	1, 3, 4, 9, 15, 16, 25, 36, 48, 64, 1+4, 1+8, 1+9, 1+15, 1/1, 2/1, 4/1, 9/1, 15/1, 16/1, 36/1, 48/1, 64/1, 1+4/1, 1+8/1, 1+9/1, 1+15/1, 4/9, 9/4, 9/9
Multi Screen Display Client	up to 4 screens simultaneously: 1, 3, 4, 9, 12, 16, 20, 25, 30, 36, 42, 49, 56, 63, 64 1+5, 1+7, 1+8, 1+9, 1+11, 1+12, 1+13, 1+15, 1+16, 1+33, 1+47, 1+48			
E-Map Function	Live Viewing in E-Map (NVR Station)			
Recording	E-PTZ / Scheme / Polling / TV-Wall (optional with decoder) / Virtual channel			
Resolution	8MP(4K), 6MP, 5MP, 4MP, 3MP, 1080p, UXGA, 960p, 720p, XGA, SVGA, D1, CIF, QCIF			
Mode	Manual / Continuous / Schedule / Event (Pre / Post)			
Event Trigger	Supported			
Tag	Supported			
Reliability	Automatic Network Replenishment (ANR)			
Search & Playback				
Search Mode	Date and time (Calendar) / Event			
Resolution	8MP(4K), 6MP, 5MP, 4MP, 3MP, 1080p, UXGA, 960p, 720p, XGA, SVGA, D1, CIF, QCIF			
Playback (Local Monitor)	4 x 4K@30fps / 9 x 1080p@30fps		4 x 4K@30fps / 16 x 1080p@30fps	
Playback (Client)	up to 16 x 4K@30fps			
Synchronize Playback (Local Monitor)	4 x 4K@30fps / 9 x 1080p@30fps		4 x 4K@30fps / 16 x 1080p@30fps	
Synchronize Playback (Client)	4 x 4K@30fps			
Function	Slow forward / Fast forward / Loop / Single frame / E-PTZ / Slice playback			
Storage				
Max. Internal HDDs	8 x 3.5" HDD Max. 64TB (up to 8TB/each)			
RAID	RAID 0/1/5/6/10			
External	iPSAN (iSCSI), up to 10 x iPSAN, Max. 100T (optional) e-SATA			
Function	Disk group / Quota / Disk dormancy			
Audio				
Compression	G.711a / G.711u / ADPCM / G.722 / G.722.1c / AAC-LC			
Bit rate	32kbps ~ 64kbps			
Audio Function	Bi-directional audio / Dumb / Mute / Broadcasting			
Alarm				
Service Alarm Triggers	Alarm input / Video lost / Motion detection / Tampering / Guard line / Defocus / Scene change / Enter guard area / Exit guard area / Object left / Object removal / Gathering / Audio surge			
System Alarm Triggers	Device disconnected / No disk / Disk error / IP Address conflict / Network disconnected / Low speed / Insufficient recording space / MAC address conflict / Insufficient snapshot space			
Alarm Events	Snapshot / Recording / PTZ preset / Buzzer / Email / Link to Client / Alarm caption / Live view in first window / Link to TV Wall / Link to secondary screen / Full screen viewing			
System				
Operating System	Embedded Linux			
User Management	Admin / User			
Log Management	User login / User operation / Alarm / Backup / Update			
Application Programming	NVR Station SDK			
Network				
Network Protocols	TCP/IP, UDP, HTTP, DHCP, DNS/DDNS, RTP/RTCP, RTSP, PPPoE, FTP, SMTP, VSIP, UPNP, SMTp, IPv4, IPv6 (optional)			
Viewer Software	CMS (NVR Station) / Web / iOS app / Android app			
Max. User Access	64 Users			
Output Bandwidth	256Mbps			
Function	NAT / Socks5 / Multiple network access / Packet loss recovery / Auto network organizing			
Network Test	Supported			
Hot Backup	N+1			
Interfaces				
Ethernet	2 x Gigabyte network port, RJ45 interface			
Video Out	1 x HDMI (up to 3840 x 2160@60Hz) 1 x VGA (up to 1920 x 1080@60Hz)			
Audio In / Out	1 x RCA Line in / 1 x RCA Line out			
Alarm In / Out	2 x Inputs / 2 x Outputs			
Control	2 x RS485			
USB	2 x USB 2.0 1x USB3.0			
e-SATA	1 x e-SATA			
Environmental				
Operating Temperature	-10°C ~ 55°C / 14°F ~ 131°F			
Operating Humidity	10% ~ 90%			
Electrical				
Power	100 ~ 240V AC, 50 ~ 60Hz			
Power Consumption	Max. 15W (HDD not included)			
Mechanical				
Weight	7.6kg / 16.72lb (HDD not included)			
Dimensions	443 x 461 x 88mm / 17.44" x 18.15" x 3.46"			

NVR2821-04B/2LI

4-Bay H.265 4K AI Professional Network Video Recorder



Features

High-performance, High-capacity

- H.265 supported
- 4 x 4K@30fps / 16 x 1080p@30fps video decoding capability
- Up to 32 channel
- Up to 320Mbps incoming bandwidth
- 256Mbps output bandwidth
- 16 user access simultaneously
- Max. 4 HDDs up to 32TB storage

AI

- Supports deep learning algorithm
- Supports up to 6,000 face detection comparison library
- Real-time multiple face matching
- Supports searching picture by face picture

Easy to install

- Auto network organizing
- Built-in DHCP server

High reliability

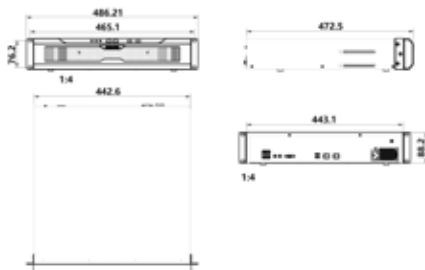
- Embedded Linux
- RAID 0/1/5/6/10
- Supports Automatic Network Replenishment (ANR)
- Supports Packet Loss Recovery (PLR)

Abundant functions and features

- HDMI/VGA simultaneously output different content
- E-Map, TV-Wall supported
- Bi-directional audio, Broadcasting
- NAT
- Alarm management
- Free CMS (V Station), supports 128 NVR simultaneously
- CMS supports 6 screens simultaneously (4 x Live viewing, 1 x E-Map, 1 x TV-Wall)

Dimensions

Units:mm



Specifications

	NVR2821-04009B/2LI	NVR2821-04016B/2LI	NVR2821-04032B/2LI
Video/Audio Input			
IP Camera Input	9 channel	16 channel	32 channel
Resolution	8MP(4K), 6MP, 5MP, 4MP, 3MP, 1080p, UXGA, 960p, 720p, XGA, SVGA, D1, CIF, QCIF		
Compression	H.265 / H.264		
Protocols	Onvif, RTSP, KEDACOM		
Bit rate	64kbps ~ 16384kbps		
Incoming Bandwidth	90Mbps	160Mbps	320Mbps
Live Viewing			
Local Display	1 x HDMI, 1 x VGA, simultaneously output different content		
Multi Screen Display Local monitor	1/1, 4/4, 1+5/1+5, 1+7/1+7, 9/9	1/1, 4/4, 1+5/1+5, 1+7/1+7, 9/9, 16/16	1/1, 4/4, 1+5/1+5, 1+7/1+7, 9/9, 16/16
(Main / Secondary): Multi Screen Display	up to 4 screen simultaneously:		
Client	1 ~ 64 Multiple Layouts		
E-Map	Live Viewing in E-Map (V Station)		
Function	E-PTZ / Scheme (V Station)		
Recording			
Resolution	8MP(4K), 6MP, 5MP, 4MP, 3MP, 1080p, UXGA, 960p, 720p, XGA, SVGA, D1, CIF, QCIF		
Mode	Manual / Continuous / Schedule / Event (Pre / Post)		
Event Trigger	Supported		
Tag	Supported		
Reliability	Automatic Network Replenishment (ANR)		
Search & Playback			
Search Mode	Date and time (Calendar) / Event		
Resolution	8MP(4K), 6MP, 5MP, 4MP, 3MP, 1080p, UXGA, 960p, 720p, XGA, SVGA, D1, CIF, QCIF		
Playback(Local Monitor)	4 x 4K@30fps / 16 x 1080p@30fps		
Playback(Client)	up to 16 x 4K@30fps		
Synchronize Playback (Local Monitor)	4 x 4K@30fps / 16 x 1080p@30fps		
Synchronize Playback (Client)	up to 16 x 4K@30fps		
Function	Slow forward / Fast forward / Loop / Single frame / E-PTZ / Slice playback		
Storage			
Max. Internal HDDs	4 x 3.5" HDD		
RAID	Max. 32TB (up to 8TB/each)		
External Function	RAID 0/1/5/6/10		
Function	IPSAN (iSCSI), up to 10 x IPSAN, Max. 100T (optional)		
Audio	Disk group / Quota / Disk dormancy / Face pictures storage		
Compression	G.711a / G.711u / ADPCM / G.722 / G.722.1c / AAC-LC		
Bit rate	32kbps ~ 64kbps		
Audio Function	Bi-directional audio / Dumb / Mute / Broadcasting		
Alarm			
Service Alarm Triggers	Alarm input / Video lost / Motion detection / Tampering / Guard line / Defocus / Scene change / Enter guard area / Exit guard area / Object left / Object removal / Gathering / Audio surge / Face matching		
System Alarm Triggers	Device disconnected / No disk / Disk error / IP Address conflict / Network disconnected / Low speed / Insufficient recording space / MAC address conflict / Insufficient Snapshot storage space		
Alarm Events	Snapshot / Recording / PTZ preset / Buzzer / Email / Link to Client / Alarm caption / Live view in first window / Link to TV Wall / Link to secondary screen / Full screen viewing		
AI			
Face Matching	Real-time / Post-event		
Search Mode	Date and time / Camera / Face image		
People Counting	Supported		
Maximum Number Of Recognitive Camera	Up to 2		
Face picture Library	32 libraries		
System	Up to 1,000 (6000 face comparison library optional)		
Operating System	Embedded Linux		
User Management	Admin / User		
Log Management	User login / User operation / Alarm / Backup / Update		
Application Programming	V Station SDK		
Network			
Network Protocols	TCP/IP, UDP, HTTP, DHCP, DNS/DDNS, RTP/RTCP, RTSP, PPPoE, FTP, SNTp, VSIP, UPNP, SMTP, IPv4, IPv6 (optional)		
Viewer Software	CMS (NVR Station) / Web / iOS app / Android app		
Max. User Access	16 Users		
Output Bandwidth	256Mbps		
Function	NAT / Multiple network access / Packet loss recovery / Auto network organizing		
Network Test	Supported		
Interfaces			
Ethernet	3 x Gigabit network port, RJ45 interface		
Video Out	1 x HDMI (up to 3840 x 2160@60Hz) 1 x VGA (up to 1920 x 1080@60Hz)		
Audio In / Out	1 x RCA Line in / 1 x RCA Line out		
Control	1 x RS485, 1 x RS232		
USB	2 x USB2.0, 2 x USB3.0		
Environmental			
Operating Temperature	-10°C ~ 55°C / 14°F ~ 131°F		
Operating Humidity	10% ~ 85%		
Electrical			
Power	100 ~ 240V AC, 50 ~ 60Hz		
Power Consumption	Max. 150W (HDD not included)		
Mechanical			
Weight	13kg / 28.66lb (Gross Weight)		
Dimensions	443 x 461 x 88mm / 17.44" x 18.15" x 3.46"		

NVR2821-04B/4HI

4-Bay H.265 4K AI Professional Network Video Recorder



Features

High-performance, High-capacity

- H.265 supported
- 4 x 4K@30fps / 16 x 1080p@30fps video decoding capability
- Up to 32 channel
- Up to 320Mbps incoming bandwidth
- 256Mbps output bandwidth
- 16 user access simultaneously
- Max. 4 HDDs up to 32TB storage

AI

- Supports deep learning algorithm
- Supports up to 50,000 face detection comparison library
- Real-time multiple face matching
- Supports searching picture by face picture

Easy to install

- Auto network organizing
- Built-in DHCP server

High reliability

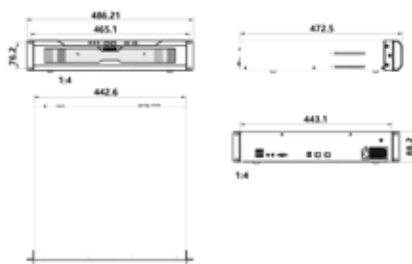
- Embedded Linux
- RAID 0/1/5/6/10
- Supports Automatic Network Replenishment (ANR)
- Supports Packet Loss Recovery (PLR)

Abundant functions and features

- HDMI/VGA simultaneously output different content
- E-Map, TV-Wall supported
- Bi-directional audio, Broadcasting
- NAT
- Alarm management
- Free CMS (V Station), supports 128 NVR simultaneously
- CMS supports 6 screens simultaneously (4 x Live viewing, 1 x E-Map, 1 x TV-Wall)

Dimensions

Units:mm



Specifications

	NVR2821-04009B/4HI	NVR2821-04016B/4HI	NVR2821-04032B/4HI
Video/Audio Input			
IP Camera Input	9 channel	16 channel	32 channel
Resolution	8MP(4K), 6MP, 5MP, 4MP, 3MP, 1080p, UXGA, 960p, 720p, XGA, SVGA, D1, CIF, QCIF		
Compression	H.265 / H.264		
Protocols	Onvif, RTSP, KEDACOM		
Bit rate	64kbps ~ 16384kbps		
Incoming Bandwidth	90Mbps	160Mbps	320Mbps
Live Viewing			
Local Display	1 x HDMI, 1 x VGA, simultaneously output different content		
Multi Screen Display Local monitor(Main / Secondary):	1/1, 4/4, 1+5/1+5,	1/1, 4/4, 1+5/1+5,	1/1, 4/4, 1+5/1+5,
	1+7/1+7, 9/9	1+7/1+7, 9/9, 16/16	1+7/1+7, 9/9, 16/16
Multi Screen Display Client	up to 4 screen simultaneously; 1 ~ 64 Multiple Layouts		
E-Map Function	Live Viewing in E-Map (V Station)		
Recording	E-PTZ / Scheme (V Station)		
Recording			
Resolution	8MP(4K), 6MP, 5MP, 4MP, 3MP, 1080p, UXGA, 960p, 720p, XGA, SVGA, D1, CIF, QCIF		
Mode	Manual / Continuous / Schedule / Event (Pre / Post)		
Event Trigger	Supported		
Tag	Supported		
Reliability	Automatic Network Replenishment (ANR)		
Search & Playback			
Search Mode	Date and time (Calendar) / Event		
Resolution	8MP(4K), 6MP, 5MP, 4MP, 3MP, 1080p, UXGA, 960p, 720p, XGA, SVGA, D1, CIF, QCIF		
Playback(Local Monitor)	4 x 4K@30fps / 16 x 1080p@30fps		
Playback(Client)	up to 16 x 4K@30fps		
Synchronize Playback (Local Monitor)	4 x 4K@30fps / 16 x 1080p@30fps		
Synchronize Playback (Client)	up to 16 x 4K@30fps		
Function	Slow forward / Fast forward / Loop / Single frame / E-PTZ / Slice playback		
Storage			
Max. Internal HDDs	4 x 3.5" HDD		
RAID	Max. 32TB (up to 8TB/each) RAID 0/1/5/6/10		
External	IPSAN (iSCSI), up to 10 x IPSAN, Max. 100T (optional)		
Function	Disk group / Quota / Disk dormancy / Face pictures storage		
Audio			
Compression	G.711a / G.711u / ADPCM / G.722 / G.722.1c / AAC-LC		
Bit rate	32kbps ~ 64kbps		
Audio Function	Bi-directional audio / Dumb / Mute / Broadcasting		
Alarm			
Service Alarm Triggers	Alarm input / Video lost / Motion detection / Tampering / Guard line / Defocus / Scene change / Enter guard area / Exit guard area / Object left / Object removal / Gathering / Audio surge / Face matching		
System Alarm Triggers	Device disconnected / No disk / Disk error / IP Address conflict / Network disconnected / Low speed / Insufficient recording space / MAC address conflict / Insufficient Snapshot storage space		
Alarm Events	Snapshot / Recording / PTZ preset / Buzzer / Email / Link to Client / Alarm caption / Live view in first window / Link to TV Wall / Link to secondary screen / Full screen viewing		
AI			
Face Matching	Real-time / Post-event		
Search Mode	Date and time / Camera / Face image		
People Counting	Supported		
Maximum Number Of	Up to 4		
Recognitive Camera	32 libraries		
Face Picture Library	Up to 50,000		
System			
Operating System	Embedded Linux		
User Management	Admin / User		
Log Management	User login / User operation / Alarm / Backup / Update		
Application Programming	V Station SDK		
Network			
Network Protocols	TCP/IP, UDP, HTTP, DHCP, DNS/DDNS, RTP/RTCP, RTSP, PPPoE, FTP, SNMP, VSIP, UPNP, SMTP, IPv4, IPv6 (optional)		
Viewer Software	CMS (NVR Station) / Web / iOS app / Android app		
Max. User Access	16 Users		
Output Bandwidth	256Mbps		
Function	NAT / Multiple network access / Packet loss recovery / Auto network organizing		
Network Test	Supported		
Interfaces			
Ethernet	3 x Gigabit network port, RJ45 interface		
Video Out	1 x HDMI (up to 3840 x 2160@60Hz) 1 x VGA (up to 1920 x 1080@60Hz)		
Audio In / Out	1 x RCA Line in / 1 x RCA Line out		
Control	1 x RS485, 1 x RS232		
USB	2 x USB2.0, 2 x USB3.0		
Environmental			
Operating Temperature	-10°C ~ 55°C / 14°F ~ 131°F		
Operating Humidity	10% ~ 85%		
Electrical			
Power	100 ~ 240V AC, 50 ~ 60Hz		
Power Consumption	Max. 150W (HDD not included)		
Mechanical			
Weight	13kg / 28.66lb (Gross Weight)		
Dimensions	443 x 461 x 88mm / 17.44" x 18.15" x 3.46"		

NVR2821-04B/8HI

4-Bay H.265 4K AI Professional Network Video Recorder



Features

High-performance, High-capacity

- H.265 supported
- 4 x 4K@30fps / 16 x 1080p@30fps video decoding capability
- Up to 32 channel
- Up to 320Mbps incoming bandwidth
- 256Mbps output bandwidth
- 16 user access simultaneously
- Max. 4 HDDs up to 32TB storage

AI

- Supports deep learning algorithm
- Supports up to 50,000 face detection comparison library
- Real-time multiple face matching
- Supports searching picture by face picture

Easy to install

- Auto network organizing
- Built-in DHCP server

High reliability

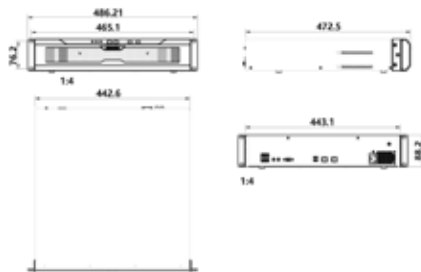
- Embedded Linux
- RAID 0/1/5/6/10
- Supports Automatic Network Replenishment (ANR)
- Supports Packet Loss Recovery (PLR)

Abundant functions and features

- HDMI/VGA simultaneously output different content
- E-Map, TV-Wall supported
- Bi-directional audio, Broadcasting
- NAT
- Alarm management
- Free CMS (V Station), supports 128 NVR simultaneously
- CMS supports 6 screens simultaneously (4 x Live viewing, 1 x E-Map, 1 x TV-Wall)

Dimensions

Units:mm



Specifications

	NVR2821-04009B/8HI	NVR2821-04016B/8HI	NVR2821-04032B/8HI
Video/Audio Input			
IP Camera Input	9 channel	16 channel	32 channel
Resolution	8MP(4K), 6MP, 5MP, 4MP, 3MP, 1080p, UXGA, 960p, 720p, XGA, SVGA, D1, CIF, QCIF		
Compression	H.265 / H.264		
Protocols	Onvif, RTSP, KEDACOM		
Bit rate	64kbps ~ 16384kbps		
Incoming Bandwidth	90Mbps	160Mbps	320Mbps
Live Viewing			
Local Display	1 x HDMI, 1 x VGA, simultaneously output different content		
Multi Screen Display Local monitor(Main / Secondary):	1/1, 4/4, 1+5/1+5,	1/1, 4/4, 1+5/1+5,	1/1, 4/4, 1+5/1+5,
	1+7/1+7, 9/9	1+7/1+7, 9/9, 16/16	1+7/1+7, 9/9, 16/16
Multi Screen Display Client	up to 4 screen simultaneously;		
	1 ~ 64 Multiple Layouts		
E-Map Function	Live Viewing in E-Map (V Station)		
Function	E-PTZ / Scheme (V Station)		
Recording			
Resolution	8MP(4K), 6MP, 5MP, 4MP, 3MP, 1080p, UXGA, 960p, 720p, XGA, SVGA, D1, CIF, QCIF		
Mode	Manual / Continuous / Schedule / Event (Pre / Post)		
Event Trigger	Supported		
Tag	Supported		
Reliability	Automatic Network Replenishment (ANR)		
Search & Playback			
Search Mode	Date and time (Calendar) / Event		
Resolution	8MP(4K), 6MP, 5MP, 4MP, 3MP, 1080p, UXGA, 960p, 720p, XGA, SVGA, D1, CIF, QCIF		
Playback(Local Monitor)	4 x 4K@30fps / 16 x 1080p@30fps		
Playback(Client)	up to 16 x 4K@30fps		
Synchronize Playback (Local Monitor)	4 x 4K@30fps / 16 x 1080p@30fps		
Synchronize Playback (Client)	up to 16 x 4K@30fps		
Function	Slow forward / Fast forward / Loop / Single frame / E-PTZ / Slice playback		
Storage			
Max. Internal HDDs	4 x 3.5" HDD		
RAID	Max. 32TB (up to 8TB/each) RAID 0/1/5/6/10		
External	IPSAN (iSCSI), up to 10 x IPSAN, Max. 100T (optional)		
Function	Disk group / Quota / Disk dormancy / Face pictures storage		
Audio			
Compression	G.711a / G.711u / ADPCM / G.722 / G.722.1c / AAC-LC		
Bit rate	32kbps ~ 64kbps		
Audio Function	Bi-directional audio / Dumb / Mute / Broadcasting		
Alarm			
Service Alarm Triggers	Alarm input / Video lost / Motion detection / Tampering / Guard line / Defocus / Scene change / Enter guard area / Exit guard area / Object left / Object removal / Gathering / Audio surge / Face matching		
System Alarm Triggers	Device disconnected / No disk / Disk error / IP Address conflict / Network disconnected / Low speed / Insufficient recording space / MAC address conflict / Insufficient Snapshot storage space		
Alarm Events	Snapshot / Recording / PTZ preset / Buzzer / Email / Link to Client / Alarm caption / Live view in first window / Link to TV Wall / Link to secondary screen / Full screen viewing		
AI			
Face Matching	Real-time / Post-event		
Search Mode	Date and time / Camera / Face image		
People Counting	Supported		
Maximum Number Of	Up to 8		
Recognitive Camera	32 libraries		
Face Picture Library	Up to 50,000		
System			
Operating System	Embedded Linux		
User Management	Admin / User		
Log Management	User login / User operation / Alarm / Backup / Update		
Application Programming	V Station SDK		
Network			
Network Protocols	TCP/IP, UDP, HTTP, DHCP, DNS/DDNS, RTP/RTCP, RTSP, PPPoE, FTP, SNMP, VSIP, UPNP, SMTP, IPv4, IPv6 (optional)		
Viewer Software	CMS (NVR Station) / Web / iOS app / Android app		
Max. User Access	16 Users		
Output Bandwidth	256Mbps		
Function	NAT / Multiple network access / Packet loss recovery / Auto network organizing		
Network Test	Supported		
Interfaces			
Ethernet	3 x Gigabit network port, RJ45 interface		
Video Out	1 x HDMI (up to 3840 x 2160@60Hz)		
	1 x VGA (up to 1920 x 1080@60Hz)		
Audio In / Out	1 x RCA Line in / 1 x RCA Line out		
Control	1 x RS485, 1 x RS232		
USB	2 x USB2.0, 2 x USB3.0		
Environmental			
Operating Temperature	-10°C ~ 55°C / 14°F ~ 131°F		
Operating Humidity	10% ~ 85%		
Electrical			
Power	100 ~ 240V AC, 50 ~ 60Hz		
Power Consumption	Max. 150W (HDD not included)		
Mechanical			
Weight	13kg / 28.66lb (Gross Weight)		
Dimensions	443 x 461 x 88mm / 17.44" x 18.15" x 3.46"		

NVR2881-16B/4HI

16-Bay H.265 4K AI Professional Network Video Recorder



Features

High-performance, High-capacity

- H.265 supported
- 4 x 4K@30fps / 16 x 1080p@30fps video decoding capability
- Up to 64 channel
- Up to 420Mbps incoming bandwidth
- 384Mbps output bandwidth
- 16 user access simultaneously
- Max. 16 HDDs up to 128TB storage
- IPSAN storage supported

AI

- Supports deep learning algorithm
- Supports up to 50,000 face detection comparison library
- Real-time multiple face matching
- Supports searching picture by face picture

Easy to install

- Auto network organizing
- Built-in DHCP server

High reliability

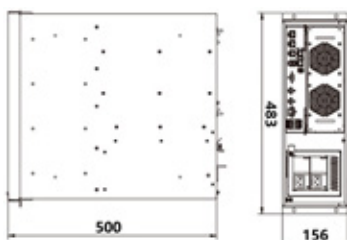
- Embedded Linux
- RAID 0/1/5/6/10
- Redundant Power Supply (optional)
- Supports Automatic Network Replenishment (ANR)
- Supports Packet Loss Recovery (PLR)

Abundant functions and features

- HDMI/VGA simultaneously output different content
- E-Map, TV-Wall supported
- Bi-directional audio, Broadcasting
- NAT
- Alarm management
- Free CMS (V Station), supports 128 NVR simultaneously
- CMS supports 6 screens simultaneously (4 x Live viewing, 1 x E-Map, 1 x TV-Wall)

Dimensions

Units:mm



Specifications

	NVR2881-16016B/4HI	NVR2881-16032B/4HI	NVR2881-16064B/4HI
Video/Audio Input			
IP Camera Input	16 channel	32 channel	64 channel
Resolution	8MP(4K), 6MP, 5MP, 4MP, 3MP, 1080p, UXGA, 960p, 720p, XGA, SVGA, D1, CIF, QCIF		
Compression	H.265 / H.264		
Protocols	Onvif, RTSP, KEDACOM		
Bit rate	64kbps ~ 16384kbps		
Incoming Bandwidth	160Mbps	320Mbps	420Mbps
Live Viewing			
Local Display	1 x HDMI, 1 x VGA, simultaneously output different content		
Multi Screen Display Local monitor(Main / Secondary):	1/1, 4/4, 1+5/1+5, 1+7/1+7, 9/9, 16/16		
Multi Screen Display Client	up to 4 screen simultaneously: 1 ~ 64 Multiple Layouts		
E-Map Function	Live Viewing in E-Map (V Station)		
Function	E-PTZ / Scheme (V Station)		
Recording			
Resolution	8MP(4K), 6MP, 5MP, 4MP, 3MP, 1080p, UXGA, 960p, 720p, XGA, SVGA, D1, CIF, QCIF		
Mode	Manual / Continuous / Schedule / Event (Pre / Post)		
Event Trigger	Supported		
Tag	Supported		
Reliability	Automatic Network Replenishment (ANR)		
Search & Playback			
Search Mode	Date and time (Calendar) / Event		
Resolution	8MP(4K), 6MP, 5MP, 4MP, 3MP, 1080p, UXGA, 960p, 720p, XGA, SVGA, D1, CIF, QCIF		
Playback(Local Monitor)	4 x 4K@30fps / 16 x 1080p@30fps		
Playback(Client)	up to 16 x 4K@30fps		
Synchronize Playback (Local Monitor)	4 x 4K@30fps / 16 x 1080p@30fps		
Synchronize Playback (Client)	up to 16 x 4K@30fps		
Function	Slow forward / Fast forward / Loop / Single frame / E-PTZ / Slice playback		
Storage			
Max. Internal HDDs	16x 3.5" HDD		
RAID	Max. 128TB (up to 8TB/each) RAID 0/1/5/6/10		
External	IPSAN (iSCSI), up to 10 x IPSAN, Max. 100T (optional)		
Function	Disk group / Quota / Disk dormancy		
Audio			
Compression	G.711a / G.711u / ADPCM / G.722 / G.722.1c / AAC-LC		
Bit rate	32kbps ~ 64kbps		
Audio Function	Bi-directional audio / Dumb / Mute / Broadcasting		
Alarm			
Service Alarm Triggers	Alarm input / Video lost / Motion detection / Tampering / Guard line / Defocus / Scene change / Enter guard area / Exit guard area / Object left / Object removal / Gathering / Audio surge / Face matching		
System Alarm Triggers	Device disconnected / No disk / Disk error / IP Address conflict / Network disconnected / Low speed / Insufficient recording space / MAC address conflict / Insufficient Snapshot storage space		
Alarm Events	Snapshot / Recording / PTZ preset / Buzzer / Email / Link to Client / Alarm caption / Live view in first window / Link to TV Wall / Link to secondary screen / Full screen viewing		
AI			
Face Matching	Real-time / Post-event		
Search Mode	Date and time / Camera / Face image		
People Counting	Supported		
Maximum Number Of	up to 4		
Recognitive Camera	32 libraries		
Face Picture Library	Up to 50,000		
System			
Operating System	Embedded Linux		
User Management	Admin / User		
Log Management	User login / User operation / Alarm / Backup / Update		
Application Programming	V Station SDK		
Network			
Network Protocols	TCP/IP, UDP, HTTP, DHCP, DNS/DDNS, RTP/RTCP, RTSP, PPPoE, FTP, SNMP, VSIP, UPNP, SMTP, IPv4, IPv6 (optional)		
Viewer Software	CMS (NVR Station) / Web / iOS app / Android app		
Max. User Access	16 Users		
Output Bandwidth	384Mbps		
Function	NAT / Multiple network access / Packet loss recovery / Auto network organizing		
Network Test	Supported		
Interfaces			
Ethernet	3 x Gigabit network port, RJ45 interface		
Video Out	2 x HDMI (up to 3840 x 2160@60Hz)		
Audio In / Out	1 x VGA (up to 1920 x 1080@60Hz)		
Alarm In / Out	1 x RCA Line in / 1 x RCA Line out		
Control	2 x Inputs / 2 x Outputs		
USB	1 x RS485, 1 x RS232		
USB	2 x USB2.0, 2 x USB3.0		
Environmental			
Operating Temperature	-10°C ~ 55°C / 14°F ~ 131°F		
Operating Humidity	10% ~ 85%		
Electrical			
Power	100 ~ 240V AC, 50 ~ 60Hz		
Power Consumption	Max. 150W (HDD not included)		
Mechanical			
Weight	20kg / 44lb (HDD not included)		
Dimensions	483 x 500 x 156mm / 19.02" x 19.69" x 6.14"		

NVR2881-16B/8HI

16-Bay H.265 4K AI Professional Network Video Recorder



Features

High-performance, High-capacity

- H.265 supported
- 4 x 4K@30fps / 16 x 1080p@30fps video decoding capability
- Up to 64 channel
- Up to 420Mbps incoming bandwidth
- 384Mbps output bandwidth
- 16 user access simultaneously
- Max. 16 HDDs up to 128TB storage
- IPSAN storage supported

AI

- Supports deep learning algorithm
- Supports up to 50,000 face detection comparison library
- Real-time multiple face matching
- Supports searching picture by face picture

Easy to install

- Auto network organizing
- Built-in DHCP server

High reliability

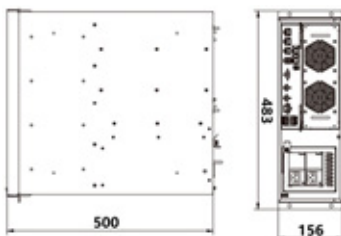
- Embedded Linux
- RAID 0/1/5/6/10
- Redundant Power Supply (optional)
- Supports Automatic Network Replenishment (ANR)
- Supports Packet Loss Recovery (PLR)

Abundant functions and features

- HDMI/VGA simultaneously output different content
- E-Map, TV-Wall supported
- Bi-directional audio, Broadcasting
- NAT
- Alarm management
- Free CMS (V Station), supports 128 NVR simultaneously
- CMS supports 6 screens simultaneously (4 x Live viewing, 1 x E-Map, 1 x TV-Wall)

Dimensions

Units:mm

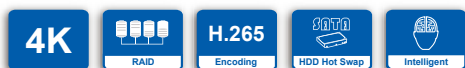


Specifications

	NVR2881-16016B/8HI	NVR2881-16032B/8HI	NVR2881-16064B/8HI
Video/Audio Input			
IP Camera Input	16 channel	32 channel	64 channel
Resolution	8MP(4K), 6MP, 5MP, 4MP, 3MP, 1080p, UXGA, 960p, 720p, XGA, SVGA, D1, CIF, QCIF		
Compression	H.265 / H.264		
Protocols	Onvif, RTSP, KEDACOM		
Bit rate	64kbps ~ 16384kbps		
Incoming Bandwidth	160Mbps	320Mbps	420Mbps
Live Viewing			
Local Display	1 x HDMI, 1 x VGA, simultaneously output different content		
Multi Screen Display Local monitor(Main / Secondary):	1/1, 4/4, 1+5/1+5, 1+7/1+7, 9/9, 16/16		
Multi Screen Display Client	up to 4 screen simultaneously: 1 ~ 64 Multiple Layouts		
E-Map Function	Live Viewing in E-Map (V Station)		
Function	E-PTZ / Scheme (V Station)		
Recording			
Resolution	8MP(4K), 6MP, 5MP, 4MP, 3MP, 1080p, UXGA, 960p, 720p, XGA, SVGA, D1, CIF, QCIF		
Mode	Manual / Continuous / Schedule / Event (Pre / Post)		
Event Trigger	Supported		
Tag	Supported		
Reliability	Automatic Network Replenishment (ANR)		
Search & Playback			
Search Mode	Date and time (Calendar) / Event		
Resolution	8MP(4K), 6MP, 5MP, 4MP, 3MP, 1080p, UXGA, 960p, 720p, XGA, SVGA, D1, CIF, QCIF		
Playback(Local Monitor)	4 x 4K@30fps / 16 x 1080p@30fps		
Playback(Client)	up to 16 x 4K@30fps		
Synchronize Playback (Local Monitor)	4 x 4K@30fps / 16 x 1080p@30fps		
Synchronize Playback (Client)	up to 16 x 4K@30fps		
Function	Slow forward / Fast forward / Loop / Single frame / E-PTZ / Slice playback		
Storage			
Max. Internal HDDs	16x 3.5" HDD		
RAID	Max. 128TB (up to 8TB/each) RAID 0/1/5/6/10		
External	IPSAN (iSCSI), up to 10 x IPSAN, Max. 100T (optional)		
Function	Disk group / Quota / Disk dormancy		
Audio			
Compression	G.711a / G.711u / ADPCM / G.722 / G.722.1c / AAC-LC		
Bit rate	32kbps ~ 64kbps		
Audio Function	Bi-directional audio / Dumb / Mute / Broadcasting		
Alarm			
Service Alarm Triggers	Alarm input / Video lost / Motion detection / Tampering / Guard line / Defocus / Scene change / Enter guard area / Exit guard area / Object left / Object removal / Gathering / Audio surge / Face matching		
System Alarm Triggers	Device disconnected / No disk / Disk error / IP Address conflict / Network disconnected / Low speed / Insufficient recording space / MAC address conflict / Insufficient Snapshot storage space		
Alarm Events	Snapshot / Recording / PTZ preset / Buzzer / Email / Link to Client / Alarm caption / Live view in first window / Link to TV Wall / Link to secondary screen / Full screen viewing		
AI			
Face Matching	Real-time / Post-event		
Search Mode	Date and time / Camera / Face image		
People Counting	Supported		
Maximum Number Of	Up to 8		
Recognitive Camera	32 libraries		
Face Picture Library	Up to 50,000		
System			
Operating System	Embedded Linux		
User Management	Admin / User		
Log Management	User login / User operation / Alarm / Backup / Update		
Application Programming	V Station SDK		
Network			
Network Protocols	TCP/IP, UDP, HTTP, DHCP, DNS/DDNS, RTP/RTCP, RTSP, PPPoE, FTP, SNMP, VSIP, UPNP, SMTP, IPv4, IPv6 (optional)		
Viewer Software	CMS (NVR Station) / Web / iOS app / Android app		
Max. User Access	16 Users		
Output Bandwidth	384Mbps		
Function	NAT / Multiple network access / Packet loss recovery / Auto network organizing		
Network Test	Supported		
Interfaces			
Ethernet	3 x Gigabit network port, RJ45 interface		
Video Out	2 x HDMI (up to 3840 x 2160@60Hz)		
Audio In / Out	1 x VGA (up to 1920 x 1080@60Hz)		
Alarm In / Out	1 x RCA Line in / 1 x RCA Line out		
Control	2 x Inputs / 2 x Outputs		
USB	1 x RS485, 1 x RS232		
USB	2 x USB2.0, 2 x USB3.0		
Environmental			
Operating Temperature	-10°C ~ 55°C / 14°F ~ 131°F		
Operating Humidity	10% ~ 85%		
Electrical			
Power	100 ~ 240V AC, 50 ~ 60Hz		
Power Consumption	Max. 150W (HDD not included)		
Mechanical			
Weight	20kg / 44lb (HDD not included)		
Dimensions	483 x 500 x 156mm / 19.02" x 19.69" x 6.14"		

NVR2881-16B/16HI

16-Bay H.265 4K AI Professional Network Video Recorder



Features

High-performance, High-capacity

- H.265 supported
- 4 x 4K@30fps / 16 x 1080p@30fps video decoding capability
- Up to 64 channel
- Up to 420Mbps incoming bandwidth
- 384Mbps output bandwidth
- 16 user access simultaneously
- Max. 16 HDDs up to 128TB storage
- IPSAN storage supported

AI

- Supports deep learning algorithm
- Supports up to 50,000 Face Detection Comparison Library
- Real-time multiple face matching
- Supports searching picture by face picture

Easy to install

- Auto network organizing
- Built-in DHCP server

High reliability

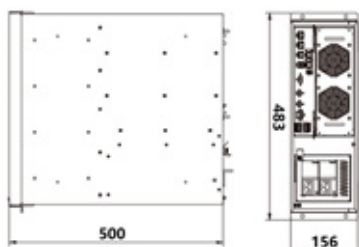
- Embedded Linux
- RAID 0/1/5/6/10
- Redundant Power Supply (optional)
- Supports Automatic Network Replenishment (ANR)
- Supports Packet Loss Recovery (PLR)

Abundant functions and features

- HDMI/VGA simultaneously output different content
- E-Map, TV-Wall supported
- Bi-directional audio, Broadcasting
- NAT
- Alarm management
- Free CMS (V Station), supports 128 NVR simultaneously
- CMS supports 6 screens simultaneously (4 x Live viewing, 1 x E-Map, 1 x TV-Wall)

Dimensions

Units:mm



Specifications

	NVR2881-16016B/16HI	NVR2881-16032B/16HI	NVR2881-16064B/16HI
Video/Audio Input			
IP Camera Input	16 channel	32 channel	64 channel
Resolution	8MP(4K), 6MP, 5MP, 4MP, 3MP, 1080p, UXGA, 960p, 720p, XGA, SVGA, D1, CIF, QCIF		
Compression	H.265 / H.264		
Protocols	Onvif, RTSP, KEDACOM		
Bit rate	64kbps ~ 16384kbps		
Incoming Bandwidth	160Mbps	320Mbps	420Mbps
Live Viewing			
Local Display	1 x HDMI, 1 x VGA, simultaneously output different content		
Multi Screen Display Local monitor(Main / Secondary):	1/1, 4/4, 1+5/1+5, 1+7/1+7, 9/9, 16/16		
Multi Screen Display Client	up to 4 screen simultaneously: 1 ~ 64 Multiple Layouts		
E-Map Function	Live Viewing in E-Map (V Station)		
Function	E-PTZ / Scheme (V Station)		
Recording			
Resolution	8MP(4K), 6MP, 5MP, 4MP, 3MP, 1080p, UXGA, 960p, 720p, XGA, SVGA, D1, CIF, QCIF		
Mode	Manual / Continuous / Schedule / Event (Pre / Post)		
Event Trigger	Supported		
Tag	Supported		
Reliability	Automatic Network Replenishment (ANR)		
Search & Playback			
Search Mode	Date and time (Calendar) / Event		
Resolution	8MP(4K), 6MP, 5MP, 4MP, 3MP, 1080p, UXGA, 960p, 720p, XGA, SVGA, D1, CIF, QCIF		
Playback(Local Monitor)	4 x 4K@30fps / 16 x 1080p@30fps		
Playback(Client)	up to 16 x 4K@30fps		
Synchronize Playback (Local Monitor)	4 x 4K@30fps / 16 x 1080p@30fps		
Synchronize Playback (Client)	up to 16 x 4K@30fps		
Function	Slow forward / Fast forward / Loop / Single frame / E-PTZ / Slice playback		
Storage			
Max. Internal HDDs	16x 3.5" HDD		
RAID	Max. 128TB (up to 8TB/each) RAID 0/1/5/6/10		
External	IPSAN (iSCSI), up to 10 x IPSAN, Max. 100T (optional)		
Function	Disk group / Quota / Disk dormancy		
Audio			
Compression	G.711a / G.711u / ADPCM / G.722 / G.722.1c / AAC-LC		
Bit rate	32kbps ~ 64kbps		
Audio Function	Bi-directional audio / Dumb / Mute / Broadcasting		
Alarm			
Service Alarm Triggers	Alarm input / Video lost / Motion detection / Tampering / Guard line / Defocus / Scene change / Enter guard area / Exit guard area / Object left / Object removal / Gathering / Audio surge / Face matching		
System Alarm Triggers	Device disconnected / No disk / Disk error / IP Address conflict / Network disconnected / Low speed / Insufficient recording space / MAC address conflict / Insufficient Snapshot storage space		
Alarm Events	Snapshot / Recording / PTZ preset / Buzzer / Email / Link to Client / Alarm caption / Live view in first window / Link to TV Wall / Link to secondary screen / Full screen viewing		
AI			
Face Matching	Real-time / Post-event		
Search Mode	Date and time / Camera / Face image		
People Counting	Supported		
Maximum Number Of	up to 16		
Recognitive Camera	32 libraries		
Face Picture Library	Up to 50,000		
System			
Operating System	Embedded Linux		
User Management	Admin / User		
Log Management	User login / User operation / Alarm / Backup / Update		
Application Programming	V Station SDK		
Network			
Network Protocols	TCP/IP, UDP, HTTP, DHCP, DNS/DDNS, RTP/RTCP, RTSP, PPPoE, FTP, SNMP, VSIP, UPNP, SMTP, IPv4, IPv6 (optional)		
Viewer Software	CMS (NVR Station) / Web / iOS app / Android app		
Max. User Access	16 Users		
Output Bandwidth	384Mbps		
Function	NAT / Multiple network access / Packet loss recovery / Auto network organizing		
Network Test	Supported		
Interfaces			
Ethernet	3 x Gigabit network port, RJ45 interface		
Video Out	2 x HDMI (up to 3840 x 2160@60Hz) 1 x VGA (up to 1920 x 1080@60Hz)		
Audio In / Out	1 x RCA Line in / 1 x RCA Line out		
Alarm In / Out	2 x Inputs / 2 x Outputs		
Control	1 x RS485, 1 x RS232		
USB	2 x USB2.0, 2 x USB3.0		
Environmental			
Operating Temperature	-10°C ~ 55°C / 14°F ~ 131°F		
Operating Humidity	10% ~ 85%		
Electrical			
Power	100 ~ 240V AC, 50 ~ 60Hz		
Power Consumption	Max. 150W (HDD not included)		
Mechanical			
Weight	20kg / 44lb (HDD not included)		
Dimensions	483 x 500 x 156mm / 19.02" x 19.69" x 6.14"		

NVR2821-03A/V

3 Bay Dedicated Network Video Recorder



Features

Excellent Video Transmission

- KWTP protocol for 4G / satellite transmission, improves the video stream continuity under unstable network conditions
- H.265 video codec / Virtual channel, saves up to 50% bandwidth and storage

High-performance, High-capacity

- H.265 supported
- 4 x 4K@30fps / 16 x 1080p@30fps video decoding capability
- Up to 32 channels
- Up to 320Mbps incoming bandwidth
- 256Mbps output bandwidth
- 64 user access simultaneously
- Max. 3 HDDs up to 6TB storage

High Protection

- Anti-Salt / Moisture-Proof / Fungus-Proof / HDD Shock-proof

High reliability

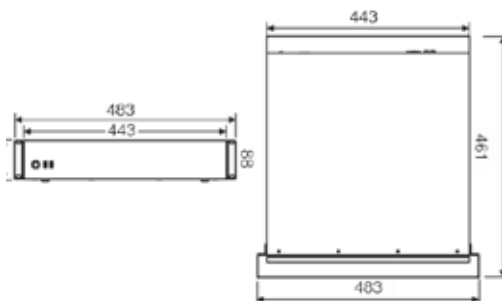
- Embedded Linux
- Low power consumption
- Supports Automatic Network Replenishment (ANR)
- Supports Packet Loss Recovery (PLR)
- N+1 Hot Backup

Abundant functions and features

- HDMI/VGA simultaneously output different content
- E-Map, TV-Wall supported
- Bi-directional audio, Broadcasting
- NAT, Socks5
- Alarm management
- Free CMS (NVR Station), supports 128 NVR simultaneously
- CMS supports 6 screens simultaneously (4 x Live viewing, 1 x E-Map, 1 x TV-Wall)

Dimensions

Units:mm



Specifications

	NVR2821-03009A/V	NVR2821-03016A/V	NVR2821-03032A/V
Video/Audio Input			
IP Camera Input	9 channel	16 channel	32 channel
Resolution	8MP(4K), 6MP, 5MP, 4MP, 3MP, 1080p, UXGA, 960p, 720p, XGA, SVGA, D1, CIF, QCIF		
Compression	H.265 / H.264		
Protocols	Onvif, RTSP, KEDACOM		
Bitrate	64kbps ~ 16384kbps		
Incoming Bandwidth	90Mbps	160Mbps	320Mbps
Live Viewing			
Local Display	1 x HDMI, 1 x VGA, simultaneously output different content		
Multi Screen Display Local monitor (Main / Secondary):	1, 3, 4, 9, 1+4, 1+8, 1/1, 2/1, 4/1, 1+4/1	1, 3, 4, 9, 15, 16, 1+4, 1+8, 1+9, 1+15, 1/1, 2/1, 4/1, 9/1, 15/1, 16/1, 1+4/1, 1+9/1, 1+15/1, 4/9, 9/4, 9/9	1, 3, 4, 9, 15, 16, 25, 36, 1+4, 1+8, 1+9, 1+15, 1/1, 2/1, 4/1, 9/1, 15/1, 16/1, 36/1, 1+4/1, 1+8/1, 1+9/1, 1+15/1, 4/9, 9/4, 9/9, 16/16
Multi Screen Display Client	up to 4 screens simultaneously: 1, 3, 4, 9, 12, 16, 20, 25, 30, 36, 42, 49, 56, 63, 64 1+5, 1+7, 1+8, 1+9, 1+11, 1+12, 1+13, 1+15, 1+16, 1+33, 1+47, 1+48		
E-Map Function	Live Viewing in E-Map (NVR Station)		
Function	E-PTZ / Scheme / Polling / TV-Wall (optional with decoder) / Virtual channel		
Recording			
Resolution	8MP(4K), 6MP, 5MP, 4MP, 3MP, 1080p, UXGA, 960p, 720p, XGA, SVGA, D1, CIF, QCIF		
Mode	Manual / Continuous / Schedule / Event (Pre / Post)		
Event Trigger	Supported		
Tag	Supported		
Reliability	Automatic Network Replenishment (ANR)		
Search & Playback			
Search Mode	Date and time (Calendar) / Event		
Resolution	8MP(4K), 6MP, 5MP, 4MP, 3MP, 1080p, UXGA, 960p, 720p, XGA, SVGA, D1, CIF, QCIF		
Playback (Local Monitor)	4 x 4K@30fps / 9 x 1080p@30fps		
Playback (Client)	up to 16 x 4K@30fps		
Synchronize Playback (Local Monitor)	4 x 4K@30fps / 9 x 1080p@30fps		
Synchronize Playback (Client)	4 x 4K@30fps		
Function	Slow forward / Fast forward / Loop / Single frame / E-PTZ / Slice playback		
Storage			
Max. Internal HDDs	3 x 2.5" HDD		
RAID	Max. 6TB (up to 2TB/each) RAID 0/1/5 (optional)		
External	IPSAN (iSCSI), up to 10 x IPSAN, Max. 100T (optional)		
Function	e-SATA Disk group / Quota / Disk dormancy		
Audio			
Compression	G.711a / G.711u / ADPCM / G.722 / G.722.1c / AAC-LC		
Bit rate	32kbps ~ 64kbps		
Audio Function	Bi-directional audio / Dumb / Mute / Broadcasting		
Alarm			
Service Alarm Triggers	Alarm input / Video lost / Motion detection / Tampering / Guard line / Defocus / Scene change / Enter guard area / Exit guard area / Object left / Object removal / Gathering / Audio surge		
System Alarm Triggers	Device disconnected / No disk / Disk error / IP Address conflict / Network disconnected / Low speed / Insufficient recording space / MAC address conflict / Insufficient snapshot space		
Alarm Events	Snapshot / Recording / PTZ preset / Buzzer / Email / Link to Client / Alarm caption / Live view in first window / Link to TV Wall / Link to secondary screen / Full screen viewing		
System			
Operating System	Embedded Linux		
User Management	Admin / User		
Log Management	User login / User operation / Alarm / Backup / Update		
Application Programming	NVR Station SDK		
Network			
Network Protocols	TCP/IP, UDP, HTTP, DHCP, DNS/DDNS, RTP/RTCP, RTSP, PPPoE, FTP, SNTp, VSIP, UPNP, SMTP, IPv4, IPv6 (optional), KWTP		
Viewer Software	CMS (NVR Station) / Web / iOS app / Android app		
Max. User Access	64 Users		
Output Bandwidth	256Mbps		
Function	NAT / Socks5 / Multiple network access / Packet loss recovery / Auto network organizing		
Network Test	Supported		
Hot Backup	N+1		
Interfaces			
Ethernet	2 x Gigabyte network port, RJ45 interface		
Video Out	1 x HDMI (up to 3840 x 2160@60Hz) 1 x VGA (up to 1920 x 1080@60Hz)		
Audio In / Out	1 x RCA Line in / 1 x RCA Line out		
Alarm In / Out	2 x Inputs / 2 x Outputs		
Control	2 x RS-485		
USB	2 x USB 2.0 1x USB3.0		
e-SATA	1 x e-SATA		
Environmental			
Operating Temperature	-10°C ~ 55°C / 14°F ~ 131°F		
Operating Humidity	10% ~ 90%		
Protection Level	Anti-Salt / Moisture-Proof / Fungus-Proof / HDD Shock-proof		
Electrical			
Power	100 ~ 240V AC, 50 ~ 60Hz		
Power Consumption	Max. 15W (HDD not included)		
Mechanical			
Weight	7.6kg / 16.72lb (HDD not included)		
Dimensions	443 x 461 x 88mm / 17.44" x 18.15" x 3.46"		

NVR2821-06A/V

6 Bay Dedicated Network Video Recorder



Features

Excellent Video Transmission

- KWTP protocol for 4G / satellite transmission, improves the video stream continuity under unstable network conditions
- H.265 video codec / Virtual channel, saves up to 50% bandwidth and storage

High-performance, High-capacity

- H.265 supported
- 4 x 4K@30fps / 16 x 1080p@30fps video decoding capability
- Up to 32 channels
- Up to 320Mbps incoming bandwidth
- 256Mbps output bandwidth
- 64 user access simultaneously
- Max. 6 HDDs up to 12TB storage

High Protection

- Anti-Salt / Moisture-Proof / Fungus-Proof / HDD Shock-proof

High reliability

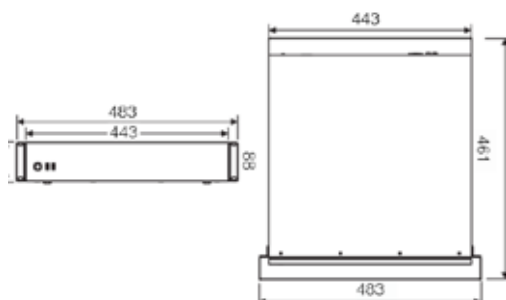
- Embedded Linux
- Low power consumption
- Supports Automatic Network Replenishment (ANR)
- Supports Packet Loss Recovery (PLR)
- N+1 Hot Backup

Abundant functions and features

- HDMI/VGA simultaneously output different content
- E-Map, TV-Wall supported
- Bi-directional audio, Broadcasting
- NAT, Socks5
- Alarm management
- Free CMS (NVR Station), supports 128 NVR simultaneously
- CMS supports 6 screens simultaneously (4 x Live viewing, 1 x E-Map, 1 x TV-Wall)

Dimensions

Units:mm



Specifications

	NVR2821-06009A/V	NVR2821-06016A/V	NVR2821-06032A/V
Video/Audio Input			
IP Camera Input	9 channel	16 channel	32 channel
Resolution	8MP(4K), 6MP, 5MP, 4MP, 3MP, 1080p, UXGA, 960p, 720p, XGA, SVGA, D1, CIF, QCIF		
Compression	H.265 / H.264		
Protocols	Onvif, RTSP, KEDACOM		
Bitrate	64kbps ~ 16384kbps		
Incoming Bandwidth	90Mbps	160Mbps	320Mbps
Live Viewing			
Local Display	1 x HDMI, 1 x VGA, simultaneously output different content		
Multi Screen Display Local monitor (Main / Secondary):	1, 3, 4, 9, 1+4, 1+8, 1/1, 2/1, 4/1, 1+4/1	1, 3, 4, 9, 15, 16, 1+4, 1+8, 1+9, 1+15, 1/1, 2/1, 4/1, 9/1, 15/1, 16/1, 1+4/1, 1+9/1, 1+15/1, 4/9, 9/4, 9/9	1, 3, 4, 9, 15, 16, 25, 36, 1+4, 1+8, 1+9, 1+15, 1/1, 2/1, 4/1, 9/1, 15/1, 16/1, 36/1, 1+4/1, 1+8/1, 1+9/1, 1+15/1, 4/9, 9/4, 9/9, 16/16
Multi Screen Display Client	up to 4 screens simultaneously: 1, 3, 4, 9, 12, 16, 20, 25, 30, 36, 42, 49, 56, 63, 64 1+5, 1+7, 1+8, 1+9, 1+11, 1+12, 1+13, 1+15, 1+16, 1+33, 1+47, 1+48		
E-Map Function	Live Viewing in E-Map (NVR Station)		
Recording	E-PTZ / Scheme / Polling / TV-Wall (optional with decoder) / Virtual channel		
Resolution	8MP(4K), 6MP, 5MP, 4MP, 3MP, 1080p, UXGA, 960p, 720p, XGA, SVGA, D1, CIF, QCIF		
Mode	Manual / Continuous / Schedule / Event (Pre / Post)		
Event Trigger	Supported		
Tag	Supported		
Reliability	Automatic Network Replenishment (ANR)		
Search & Playback			
Search Mode	Date and time (Calendar) / Event		
Resolution	8MP(4K), 6MP, 5MP, 4MP, 3MP, 1080p, UXGA, 960p, 720p, XGA, SVGA, D1, CIF, QCIF		
Playback (Local Monitor)	4 x 4K@30fps / 9 x 1080p@30fps		
Playback (Client)	up to 16 x 4K@30fps		
Synchronize Playback (Local Monitor)	4 x 4K@30fps / 9 x 1080p@30fps		
Synchronize Playback (Client)	4 x 4K@30fps		
Function	Slow forward / Fast forward / Loop / Single frame / E-PTZ / Slice playback		
Storage			
Max. Internal HDDs	6 x 2.5" HDD		
RAID	Max. 12TB (up to 2TB/each) RAID 0/1/5 (optional)		
External	IPSAN (iSCSI), up to 10 x IPSAN, Max. 100T (optional)		
Function	e-SATA Disk group / Quota / Disk dormancy		
Audio			
Compression	G.711a / G.711u / ADPCM / G.722 / G.722.1c / AAC-LC		
Bit rate	32kbps ~ 64kbps		
Audio Function	Bi-directional audio / Dumb / Mute / Broadcasting		
Alarm			
Service Alarm Triggers	Alarm input / Video lost / Motion detection / Tampering / Guard line / Defocus / Scene change / Enter guard area / Exit guard area / Object left / Object removal / Gathering / Audio surge		
System Alarm Triggers	Device disconnected / No disk / Disk error / IP Address conflict / Network disconnected / Low speed / Insufficient recording space / MAC address conflict / Insufficient snapshot space		
Alarm Events	Snapshot / Recording / PTZ preset / Buzzer / Email / Link to Client / Alarm caption / Live view in first window / Link to TV Wall / Link to secondary screen / Full screen viewing		
System			
Operating System	Embedded Linux		
User Management	Admin / User		
Log Management	User login / User operation / Alarm / Backup / Update		
Application Programming	NVR Station SDK		
Network			
Network Protocols	TCP/IP, UDP, HTTP, DHCP, DNS/DDNS, RTP/RTCP, RTSP, PPPoE, FTP, SNTp, VSIP, UPNP, SMTp, IPv4, IPv6 (optional), KWTP		
Viewer Software	CMS (NVR Station) / Web / iOS app / Android app		
Max. User Access	64 Users		
Output Bandwidth	256Mbps		
Function	NAT / Socks5 / Multiple network access / Packet loss recovery / Auto network organizing		
Network Test	Supported		
Hot Backup	N+1		
Interfaces			
Ethernet	2 x Gigabyte network port, RJ45 interface		
Video Out	1 x HDMI (up to 3840 x 2160@60Hz) 1 x VGA (up to 1920 x 1080@60Hz)		
Audio In / Out	1 x RCA Line in / 1 x RCA Line out		
Alarm In / Out	2 x Inputs / 2 x Outputs		
Control	2 x RS-485		
USB	2 x USB 2.0 1x USB3.0		
e-SATA	1 x e-SATA		
Environmental			
Operating Temperature	-10°C ~ 55°C / 14°F ~ 131°F		
Operating Humidity	10% ~ 90%		
Protection Level	Anti-Salt / Moisture-Proof / Fungus-Proof / HDD Shock-proof		
Electrical			
Power	100 ~ 240V AC, 50 ~ 60Hz		
Power Consumption	Max. 15W (HDD not included)		
Mechanical			
Weight	7.6kg / 16.72lb (HDD not included)		
Dimensions	443 x 461 x 88mm / 17.44" x 18.15" x 3.46"		

NVR2860E-08A

8 Bay RAID Professional Network Video Recorder



Features

High-performance, High-capacity

- H.265 supported
- 4 x 4K@30fps / 16 x 1080p@30fps video decoding capability
- Up to 64 channels
- Up to 320Mbps incoming bandwidth
- 256Mbps output bandwidth
- 64 user access simultaneously
- Max. 8 HDDs up to 64TB storage
- e-SATA storage supported

Easy to install

- Automatic network organizing
- Built-in DHCP server

High reliability

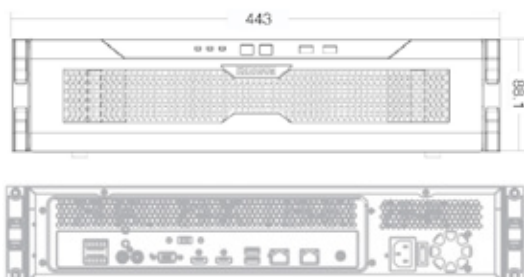
- Embedded Linux
- RAID 0/1/5/6/10
- Supports Automatic Network Replenishment (ANR)
- Supports Packet Loss Recovery (PLR)
- N+1 Hot Backup

Abundant functions and features

- HDMI/VGA simultaneously output different content
- E-Map, TV-Wall supported
- Bi-directional audio, Broadcasting
- NAT, Socks5
- Alarm management
- Free CMS (NVR Station), supports 128 NVR simultaneously
- CMS supports 6 screens simultaneously (4 x Live viewing, 1 x E-Map, 1 x TV-Wall)

Dimensions

Units:mm



Specifications

	NVR2860E-08016A	NVR2860E-08032A	NVR2860E-08048A	NVR2860E-08064A
Video/Audio Input				
IP Camera Input	16 channel	32 channel	48 channel	64 channel
Resolution	8MP(4K), 6MP, 5MP, 4MP, 3MP, 1080p, UXGA, 960p, 720p, XGA, SVGA, D1, CIF, QCIF			
Compression	H.265 / H.264			
Protocols	Onvif, RTSP, KEDACOM			
Bit rate	64kbps ~ 16384kbps			
Incoming Bandwidth	160Mbps	320Mbps	320Mbps	320Mbps
Live Viewing				
Local Display	1 x HDMI, 1 x VGA, simultaneously output different content			
Multi Screen Display Local monitor (Main / Secondary):	1, 3, 4, 9, 15, 16, 1+4, 1+8, 1+9, 1+15, 1/1, 2/1, 4/1, 9/1, 15/1, 16/1, 1+4/1, 1+8/1, 1+9/1, 1+15/1, 4/9, 9/4, 9/9	1, 3, 4, 9, 15, 16, 25, 36, 1+4, 1+8, 1+9, 1+15, 1/1, 2/1, 4/1, 9/1, 15/1, 16/1, 1+4/1, 1+8/1, 1+9/1, 1+15/1, 4/9, 9/4, 9/9, 16/16	1, 3, 4, 9, 15, 16, 25, 36, 48, 1+4, 1+8, 1+9, 1+15, 1/1, 2/1, 4/1, 9/1, 15/1, 16/1, 36/1, 48/1, 1+4/1, 1+8/1, 1+9/1, 1+15/1, 4/9, 9/4, 9/9, 16/16	1, 3, 4, 9, 15, 16, 25, 36, 48, 64, 1+4, 1+8, 1+9, 1+15, 1/1, 2/1, 4/1, 9/1, 15/1, 16/1, 36/1, 48/1, 64/1, 1+4/1, 1+8/1, 1+9/1, 1+15/1, 4/9, 9/4, 9/9, 16/16
Multi Screen Display Client	up to 4 screens simultaneously: 1, 3, 4, 9, 12, 16, 20, 25, 30, 36, 42, 49, 56, 63, 64 1+5, 1+7, 1+8, 1+9, 1+11, 1+12, 1+13, 1+15, 1+16, 1+33, 1+47, 1+48			
E-Map Function	Live Viewing in E-Map (NVR Station) E-PTZ / Scheme / Polling / TV-Wall (optional with decoder) / Virtual channel			
Recording				
Resolution	8MP(4K), 6MP, 5MP, 4MP, 3MP, 1080p, UXGA, 960p, 720p, XGA, SVGA, D1, CIF, QCIF			
Mode	Manual / Continuous / Schedule / Event (Pre / Post)			
Event Trigger	Supported			
Tag	Supported			
Reliability	Automatic Network Replenishment (ANR)			
Search & Playback				
Search Mode	Date and time (Calendar) / Event			
Resolution	8MP(4K), 6MP, 5MP, 4MP, 3MP, 1080p, UXGA, 960p, 720p, XGA, SVGA, D1, CIF, QCIF			
Playback (Local Monitor)	4 x 4K@30fps / 16 x 1080p@30fps			
Playback (Client)	up to 16 x 4K@30fps			
Synchronize Playback (Local Monitor)	4 x 4K@30fps / 16 x 1080p@30fps			
Synchronize Playback (Client)	4 x 4K@30fps			
Function	Slow forward / Fast forward / Loop / Single frame / E-PTZ / Slice playback			
Storage				
Max. Internal HDDs	8 x 3.5" HDD			
RAID	Max. 64TB (up to 8TB/each) RAID 0/1/5/6/10			
External	iPSAN (iSCSI), up to 10 x iPSAN, Max. 100T (optional) e-SATA			
Function	Disk group / Quota / Disk dormancy			
Audio				
Compression	G.711a / G.711u / ADPCM / G.722 / G.722.1c / AAC-LC			
Bit rate	32kbps ~ 64kbps			
Audio Function	Bi-directional audio / Dumb / Mute / Broadcasting			
Alarm				
Service Alarm Triggers	Alarm input / Video lost / Motion detection / Tampering / Guard line / Defocus / Scene change / Enter guard area / Exit guard area / Object left / Object removal / Gathering / Audio surge			
System Alarm Triggers	Device disconnected / No disk / Disk error / IP Address conflict / Network disconnected / Low speed / Insufficient recording space / MAC address conflict / Insufficient snapshot space			
Alarm Events	Snapshot / Recording / PTZ preset / Buzzer / Email / Link to Client / Alarm caption / Live view in first window / Link to TV Wall / Link to secondary screen / Full screen viewing			
System				
Operating System	Embedded Linux			
User Management	Admin / User			
Log Management	User login / User operation / Alarm / Backup / Update			
Application Programming	NVR Station SDK			
Network				
Network Protocols	TCP/IP, UDP, HTTP, DHCP, DNS/DDNS, RTP/RTCP, RTSP, PPPoE, FTP, SNTp, VSIP, UPNP, SMTP, IPv4, IPv6 (optional)			
Viewer Software	CMS (NVR Station) / Web / iOS app / Android app			
Max. User Access	64 Users			
Output Bandwidth	256Mbps			
Function	NAT / Socks5 / Multiple network access / Packet loss recovery / Auto network organizing			
Network Test	Supported			
Hot Backup	N+1			
Interfaces				
Ethernet	2 x Gigabit network port, RJ45 interface			
Video Out	1 x HDMI (up to 3840 x 2160@60Hz) 1 x VGA (up to 1920 x 1080@60Hz)			
Audio In / Out	1 x RCA Line in / 1 x RCA Line out			
Alarm In / Out	2 x Inputs / 2 x Outputs			
Control	2 x RS485			
USB	2 x USB2.0, 1 x USB3.0			
e-SATA	1 x e-SATA			
Environmental				
Operating Temperature	-10°C ~ 55°C / 14°F ~ 131°F			
Operating Humidity	10% ~ 85%			
Electrical				
Power	100 ~ 240V AC, 50 ~ 60Hz			
Power Consumption	Max. 20W (HDD not included)			
Mechanical				
Weight	12.5kg / 27.5lb (HDD not included)			
Dimensions	443 x 561 x 88mm / 16.93" x 22.09" x 3.46"			

NVR2882-16A

16 Bay RAID Professional Network Video Recorder



Features

High-performance, High-capacity

- H.265 supported
- 4 x 4K@30fps / 16 x 1080p@30fps video decoding capability
- Up to 64 channel
- Up to 320Mbps incoming bandwidth
- 256Mbps output bandwidth
- 64 user access simultaneously
- Max. 16 HDDs up to 128TB storage
- e-SATA storage supported

Easy to install

- Automatic network organizing
- Built-in DHCP server

High reliability

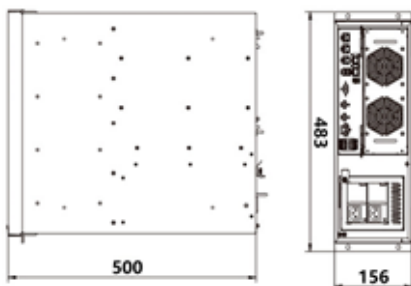
- Embedded Linux
- RAID 0/1/5/6/10/X
- Supports Automatic Network Replenishment (ANR)
- Supports Packet Loss Recovery (PLR)
- N+1 Hot Backup

Abundant functions and features

- HDMI/VGA simultaneously output different content
- E-Map, TV-Wall supported
- Bi-directional audio, Broadcasting
- NAT, Socks5
- Alarm management
- Free CMS (NVR Station), supports 128 NVR simultaneously
- CMS supports 6 screens simultaneously (4 x Live viewing, 1 x E-Map, 1 x TV-Wall)

Dimensions

Units:mm



Specifications

	NVR2882-16016A	NVR2882-16032A	NVR2882-16064A
Video/Audio Input	16 channel	32 channel	64 channel
IP Camera Input	8MP(4K), 6MP, 5MP, 4MP, 3MP, 1080p, UXGA, 960p, 720p, XGA, SVGA, D1, CIF, QCIF		
Resolution			
Compression	H.265 / H.264		
Protocols	Onvif, RTSP, KEDACOM		
Bit rate	64kbps ~ 16384kbps		
Incoming Bandwidth	160Mbps	320Mbps	320Mbps
Live Viewing	1 x HDMI, 1 x VGA, simultaneously output different content		
Local Display			
Multi Screen Display Local monitor (Main / Secondary):	1, 3, 4, 9, 15, 16, 1+4, 1+8, 1+9, 1+15, 1/1, 2/1, 4/1, 9/1, 15/1, 16/1, 1+4/1, 1+8/1, 1+9/1, 1+15/1, 4/9, 9/4, 9/9	1, 3, 4, 9, 15, 16, 25, 36, 1+4, 1+8, 1+9, 1+15, 1/1, 2/1, 4/1, 9/1, 15/1, 16/1, 1+4/1, 1+8/1, 1+9/1, 1+15/1, 4/9, 9/4, 9/9, 16/16	1, 3, 4, 9, 15, 16, 25, 36, 48, 64, 1+4, 1+8, 1+9, 1+15, 1/1, 2/1, 4/1, 9/1, 15/1, 16/1, 36/1, 48/1, 64/1, 1+4/1, 1+8/1, 1+9/1, 1+15/1, 4/9, 9/4, 9/9, 16/16
Multi Screen Display Client	up to 4 screens simultaneously: 1, 3, 4, 9, 12, 16, 20, 25, 30, 36, 42, 49, 56, 63, 64 1+5, 1+7, 1+8, 1+9, 1+11, 1+12, 1+13, 1+15, 1+16, 1+33, 1+47, 1+48		
E-Map Function	Live Viewing in E-Map (NVR Station)		
Recording	E-PTZ / Scheme / Polling / TV-Wall (optional with decoder) / Virtual channel		
Resolution	8MP(4K), 6MP, 5MP, 4MP, 3MP, 1080p, UXGA, 960p, 720p, XGA, SVGA, D1, CIF, QCIF		
Mode	Manual / Continuous / Schedule / Event (Pre / Post)		
Event Trigger	Supported		
Tag	Supported		
Reliability	Automatic Network Replenishment (ANR)		
Search & Playback			
Search Mode	Date and time (Calendar) / Event		
Resolution	8MP(4K), 6MP, 5MP, 4MP, 3MP, 1080p, UXGA, 960p, 720p, XGA, SVGA, D1, CIF, QCIF		
Playback (Local Monitor)	4 x 4K@30fps / 16 x 1080p@30fps		
Playback (Client)	up to 16 x 4K@30fps		
Synchronize Playback (Local Monitor)	4 x 4K@30fps / 16 x 1080p@30fps		
Synchronize Playback (Client)	4 x 4K@30fps		
Function	Slow forward / Fast forward / Loop / Single frame / E-PTZ / Slice playback		
Storage			
Max. Internal HDDs	16x 3.5" HDD		
RAID	Max. 128TB (up to 8TB/each) RAID 0/1/5/6/10		
External	IPSAN (iSCSI), up to 10 x IPSAN, Max. 100T (optional) e-SATA		
Function	Disk group / Quota / Disk dormancy		
Audio			
Compression	G.711a / G.711u / ADPCM / G.722 / G.722.1c / AAC-LC		
Bit rate	32kbps ~ 64kbps		
Audio Function	Bi-directional audio / Dumb / Mute / Broadcasting		
Alarm			
Service Alarm Triggers	Alarm input / Video lost / Motion detection / Tampering / Guard line / Defocus / Scene change / Enter guard area / Exit guard area / Object left / Object removal / Gathering / Audio surge		
System Alarm Triggers	Device disconnected / No disk / Disk error / IP address conflict / Network disconnected / Low speed / Insufficient recording space / MAC address conflict / Insufficient snapshot space		
Alarm Events	Snapshot / Recording / PTZ preset / Buzzer / Email / Link to Client / Alarm caption / Live view in first window / Link to TV Wall / Link to secondary screen / Full screen viewing		
System			
Operating System	Embedded Linux		
User Management	Admin / User		
Log Management	User login / User operation / Alarm / Backup / Update		
Application Programming	NVR Station SDK		
Network			
Network Protocols	TCP/IP, UDP, HTTP, DHCP, DNS/DDNS, RTP/RTCP, RTSP, PPPoE, FTP, SNMP, VSIP, UPNP, SMTP, IPv4, IPv6 (optional)		
Viewer Software	CMS (NVR Station) / Web / iOS app / Android app		
Max. User Access	64 Users		
Output Bandwidth	256Mbps		
Function	NAT / Socks5 / Multiple network access / Packet loss recovery / Auto network organizing		
Network Test	Supported		
Hot Backup	N+1		
Interfaces			
Ethernet	2 x Gigabit network port, RJ45 interface		
Video Out	1 x HDMI (up to 3840 x 2160@60Hz) 1 x VGA (up to 1920 x 1080@60Hz)		
Audio In / Out	1 x RCA Line in / 1 x RCA Line out		
Alarm In / Out	2 x Inputs / 2 x Outputs		
Control	2 x RS485		
USB	2 x USB2.0, 1 x USB3.0		
e-SATA	1 x e-SATA		
Environmental			
Operating Temperature	-10°C ~ 55°C / 14°F ~ 131°F		
Operating Humidity	10% ~ 85%		
Electrical			
Power	100 ~ 240V AC, 50 ~ 60Hz		
Power Consumption	Max. 50W (HDD not included)		
Mechanical			
Weight	20kg / 44lb (HDD not included)		
Dimensions	483 x 500 x 156mm / 19.02" x 19.69" x 6.14"		

KDM2801H-G2

VMS - Video Management System



Features

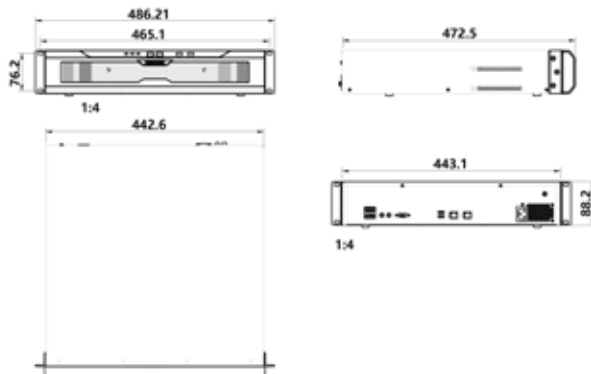
- High-performance, High-capacity**
- Up to 1000 channel per unit
 - Max. 640Mbps incoming bandwidth
 - Max. 640Mbps output bandwidth
 - Up to 300 users access simultaneously
 - 8-level cascade
 - 32 devices stack per level
- High reliability**
- Embedded Linux
 - Supports Packet Loss Recovery (PLR)
 - N+1 Hot Backup
- Abundant functions and features**
- E-Map, TV-Wall supported
 - Bi-directional audio
 - NAT, Socks5
 - Alarm management
 - Free Client (CU client)

Specifications

	KDM2801H-G2
Capacity	
Access	1000 Channel
Stack	32 devices per level, up to 3000 Channel
Cascade	8-level, up to 20000 Channel
Incoming Bandwidth	Max. 640Mbps
Output Bandwidth	Max. 640Mbps
Live Viewing	
Multi Screen Display	up to 64 multi-window
E-Map	Live Viewing in E-Map
Function	E-PTZ / Scheme / Polling / TV-Wall (optional with decoder)
Recording	
Mode	Manual / Continuous / Schedule / Event (Pre / Post)
Event Trigger	Alarm input / Video lost / Motion Detection
Search & Playback	
Search Mode	Date and time (Calendar) / Event
Playback Mode	Single Playback / Multi Playback / Synchronize Playback
Function	Slow forward / Fast forward / Loop / Single Frame / E-PTZ
Storage	
External	IPSAN (iSCSI), up to 31 x IPSAN
Video	
Compression	H.265 / H.264 / MPEG4
Image Resolution	QXGA, 1080p, UXGA, 960p, 720p, XGA, SVGA, D1, CIF, QCIF
Frame Rate	1 ~ 30fps
Bitrate	64kbps ~ 8Mbps
Audio	
Compression	G.711a / G.711u / ADPCM / G.722 / G.722.1c / AAC-LC
Bitrate	32kbps ~ 64kbps
Alarm	
Alarm Triggers	Alarm input / Video lost / Motion Detection / Disk alarm
Alarm Events	Snapshot / Recording / PTZ preset / Alarm out / Buzzer / Link to Client / Alarm caption
System	
Operating System	Embedded Linux
User Management	Super admin / Admin / User
Log Management	User login / User operation / Device / Alarm / Backup
Network	
Network Protocols	SIP, TCP/IP, UDP, HTTP, DHCP, DNS/DDNS, RTP/RTCP, RTSP, FTP, SNTIP, VSIP
Viewer Software	CU Client
Max. User Access	300 Users
Protocols	ONVIF, GB/T 28181-2011
Application Programming	CU SDK
Function	NAT / Socks5 / Multiple network access / Packet loss recovery
Hot Backup	N+1
Interfaces	
Ethernet	2 x Gigabit network port, RJ45 interface
USB	4 x USB2.0
Control	1 x RS485
Video Out	1 x VGA, for debug only
Internal	2 x USB2.0, for USB license dongle
Environmental	
Operating Temperature	0°C ~ 55°C / 32°F ~ 131°F
Operating Humidity	10% ~ 90%
Electrical	
Power	100 ~ 240V AC, 50 ~ 60Hz
Power Consumption	Max. 25W
Mechanical	
Weight	13kg / 28.66lb (Gross Weight)
Dimensions	443 x 461 x 88mm / 17.44" x 18.15" x 3.46"

Dimensions

Units:mm



KDM2802A-G2

High-capacity VMS - Video Management System



Features

High-performance, High-capacity

- Up to 5000 channel per unit
- Max. 640Mbps incoming bandwidth
- Max. 640Mbps output bandwidth
- Up to 300 users access simultaneously
- 8-level cascade
- 32 devices stack per level

High reliability

- Embedded Linux
- Supports Packet Loss Recovery (PLR)
- Redundant Power Supply
- N+1 Hot Backup

Abundant functions and features

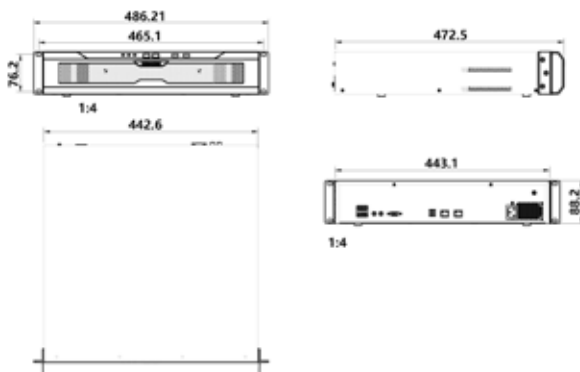
- E-Map, TV-Wall supported
- Bi-directional audio
- NAT, Socks5
- Alarm management
- Free Client (CU client)

Specifications

	KDM2802A-G2
Capacity	
Access	5000 Channel
Stack	32 devices per level, up to 15000 Channel
Cascade	8-level, up to 50000 Channel
Incoming Bandwidth	Max. 640Mbps
Output Bandwidth	Max. 640Mbps
Live Viewing	
Multi Screen Display	up to 64 multi-window
E-Map	Live Viewing in E-Map
Function	E-PTZ / Scheme / Polling / TV-Wall (optional with decoder)
Recording	
Mode	Manual / Continuous / Schedule / Event (Pre / Post)
Event Trigger	Alarm input / Video lost / Motion Detection
Search & Playback	
Search Mode	Date and time (Calendar) / Event
Playback Mode	Single Playback / Multi Playback / Synchronize Playback
Function	Slow forward / Fast forward / Loop / Single Frame / E-PTZ
Storage	
External	IPSAN (iSCSI), up to 31 x IPSAN
Video	
Compression	H.265 / H.264 / MPEG4
Image Resolution	QXGA, 1080p, UXGA, 960p, XGA, SVGA, D1, CIF, QCIF
Frame Rate	1 ~ 30fps
Bitrate	64kbps ~ 8Mbps
Audio	
Compression	G.711a / G.711u / ADPCM / G.722 / G.722.1c / AAC-LC
Bitrate	32kbps ~ 64kbps
Alarm	
Alarm Triggers	Alarm input / Video lost / Motion Detection / Disk alarm
Alarm Events	Snapshot / Recording / PTZ preset / Alarm out / Buzzer / Link to Client / Alarm caption
System	
Operating System	Embedded Linux
User Management	Super admin / Admin / User
Log Management	User login / User operation / Device / Alarm / Backup
Network	
Network Protocols	SIP, TCP/IP, UDP, HTTP, DHCP, DNS/DDNS, RTP/RTCP, RTSP, FTP, SNTIP, VSIP
Viewer Software	CU Client
Max. User Access	300 Users
Protocols	ONVIF, GB/T 28181-2011
Application Programming	CU SDK
Function	NAT / Socks5 / Multiple network access / Packet loss recovery
Hot Backup	N+1
Interfaces	
Ethernet	3 x Gigabit network port, RJ45 interface
USB	4 x USB2.0
Control	1 x RS485
Video Out	1 x VGA, for debug only
Internal	2 x USB2.0, for USB license dongle
Environmental	
Operating Temperature	0°C ~ 55°C / 32°F ~ 131°F
Operating Humidity	10% ~ 90%
Electrical	
Power	100 ~ 240V AC, 50 ~ 60Hz
Power Consumption	Redundant Power Supply Max. 80W
Mechanical	
Weight	15kg / 33.07lb (Gross Weight)
Dimensions	443 x 461 x 88mm / 17.44" x 18.15" x 3.46"

Dimensions

Units:mm



VS200G

16 Bay IPSAN



Features

High-performance, High-capacity

- Max. 500Mbps recording rate
- Max. 16 HDDs up to 96TB storage

High reliability

- Embedded Linux
- RAID 0/1/5/6/10, RAID X
- HDD hot spare
- Redundant Power Supply
- HDD hot-swap
- Ethernet trunk

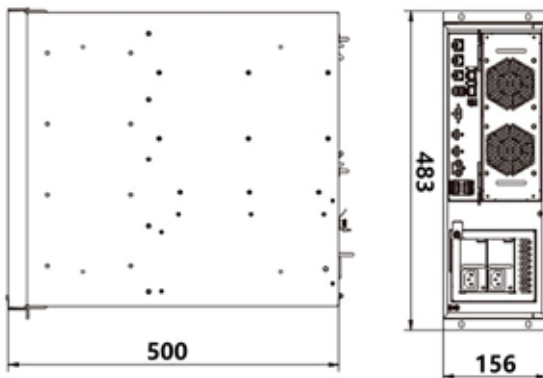
Abundant functions and features

- Multiple units management
- Alarm management
- Modular architecture

Specifications

	VS200G
General	
Disk Interface	SATA: 1TB, 2TB, 3TB, 4TB, 6TB
RAID	RAID0,1,5,6,10, RAID X
HDD Hot-swap	Supported
Max. Internal HDDs	16 x 3.5" HDD Max. 96TB (up to 6TB/each)
Storage Management	
Recording rate	500Mbps
Disk management	S.M.A.R.T. (Self-Monitoring, Analysis and Reporting)
Device Management	
Management	Web-based GUI, Multiple units management
Alarm	Sound, LED, Email, GUI Warning
Network	
Network Protocols	TCP/IP, UDP, HTTP, FTP, IPv4, iSCSI, NAS, NRU
Trunk	Supported
Interfaces	
Ethernet	3 x Gigabit network port, RJ45 interface
Output	VGA output for debugging
USB	2 x USB3.0, for keyboard or user data backup
Environmental	
Operating Temperature	10°C ~ 35°C / 50°F ~ 95°F
Operating Humidity	10% ~ 90%
Electrical	
Power	100 ~ 240V AC, 50 ~ 60Hz Redundant Power Supply
Power Consumption	Max. 216W (HDD not included)
Mechanical	
Weight	Approx.20kg (HDD not included, redundant power supply)
Dimensions	156 x 483 x 500mm / 6.14" x 19.02" x 19.69"

Dimensions Units:mm



KDM201

Video Decoder Unit



Features

High-performance, High-capacity

- Max. 16 x 4K@30fps / 72 x 1080p@30fps / 144 x 720p@30fps decoder per unit
- H.264 / H.265

Easy to deploy

- Modular architecture, 8 slots
- Rack-mounted
- Different decoder modules supported

Easy to install

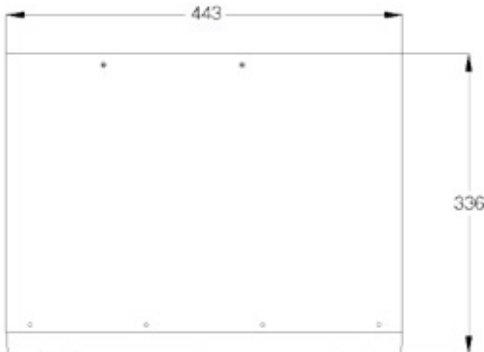
- Built-in Web Server, easy to manage and configure

Abundant functions and features

- Bi-directional audio

Dimensions

Units:mm



Specifications

	KDM201 Decoder Module Chassis
Interfaces	
Slots	8
Ethernet	2 x Gigabit network port, RJ45 interface
Environmental	
Operating Temperature	-10°C ~ 40°C / 14°F ~ 104°F
Operating Humidity	10% ~ 90%
Electrical	
Power	100 ~ 240V AC, 50 ~ 60Hz
Power Consumption	Max. 250W
Mechanical	
Weight	8kg / 21.43lb (Gross Weight)
Dimensions	443 x 336 x 88mm / 17.44" x 13.23" x 3.46"
	KDM201-D02E UHD Decoder Module
Video	
Compression	H.264 / H.265
Image Resolution	8MP(4K), 4MP, QXGA, 1080p, UXGA, 960p, 720p, XGA, SVGA, D1, CIF
Multichannel	2 channel output: 1 x 4K / 2 x 4MP / 4 x 1080p / 9 x 720p / 16 x D1 by each channel 1 channel output (disable other video output): 2 x 4K / 4 x 4MP / 9 x 1080p / 16 x 720p
Layout	1, 2, 3, 4, 9, 16
Frame Rate	1 ~ 60fps
Bitrate	64kbps ~ 36Mbps
Audio	
Compression	G.711a / G.711u / ADPCM / G.722 / G.722.1c / AAC-LC / AMR
Bitrate	8kbps ~ 64kbps
Interfaces	
Video Out	2 x HDMI (up to 3840 x 2160) 1 x VGA (up to 1920 x 1080)
Audio In / Out	1 x 3.5mm Line in, 1 x 3.5mm Line out
Control	1 x RS485
User Interface	Web / NVR / NVR Station client / VMS client KDM201-D01F HD Decoder Module
Video	
Compression	H.264
Image Resolution	QXGA, 1080p, UXGA, 960p, 720p, XGA, SVGA, D1, CIF, QCIF
Multichannel	1 x QXGA / 2 x 1080p / 4 x 720p / 9 x D1 / 16 x CIF
Layout	1, 2, 4, 9, 16
Frame Rate	1 ~ 60fps
Bitrate	64kbps ~ 8Mbps
Audio	
Compression	G.711a / G.711u / ADPCM / G.722 / AAC-LC / AMR
Bitrate	92kbps ~ 64kbps
Interfaces	
Video Out	1 x HDMI, 1 x VGA, 1 x BNC
Audio In / Out	1 x 3.5mm Mic in, 1 x 3.5mm Line in, 1 x 3.5mm Line out
Control	1 x RS232, 1 x RS485
User Interface	Web / NVR / NVR Station client / VMS client KDM201-D04F HD Decoder Module
Video	
Compression	H.264
Image Resolution	QXGA, 1080p, UXGA, 960p, 720p, XGA, SVGA, D1, CIF, QCIF
Multichannel	2 x QXGA / 4 x 1080p / 8 x 720p / 16 x D1 / 64 x CIF
Layout	1, 2, 4, 9, 16
Frame Rate	1 ~ 60fps
Bitrate	64kbps ~ 8Mbps
Audio	
Compression	G.711a / G.711u / ADPCM / G.722 / AAC-LC / AMR
Bitrate	92kbps ~ 64kbps
Interfaces	
Video Out	4 x HDMI
Audio In / Out	1 x 3.5mm Line in, 1 x 3.5mm Line out
Control	1 x RS232, 1 x RS485
User Interface	Web / NVR / NVR Station client / VMS client

IPA102

Network Video Adapter



Features

Mini size

- 0.2kg / 0.54lb
- 120 x 64 x 24mm / 4.72" x 2.52" x 0.94"

Easy to install

- Built-in Web Server, easy to manage and configure

Abundant functions and features

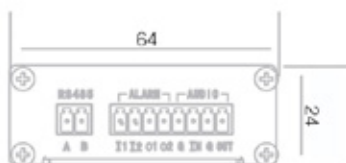
- H.264 high profile video codec, saves up to 30% bandwidth and storage
- Dual-stream
- Micro SD card slot, supports Automatic Network Replenishment (ANR)
- Bi-directional audio / alarm in and out / RS485

Specifications

	IPA102
Video	
Compression	H.264
Image Resolution	D1, CIF, QCIF
Frame Rate	1 ~ 25fps
Bitrate	64kbps ~ 4Mbps
Audio	
Compression	G.711 / ADPCM
Bitrate	32kbps ~ 64kbps
Network	
Network Protocols	TCP/IP, ARP, ICMP, FTP, DNS/DDNS, RTP/RTCP, RTSP, PPPoE, FTP, NTP, SNMP
User Interface	Web
Interfaces	
Ethernet	10/100M, RJ45 interface
Audio In / Out	1 x Line in / 1 x Line out
Control	1 x RS485
Alarm In / Out	1 x Input / 1 x Output
Video In	1 x BNC
Memory Slot	Micro SD card slot
Environmental	
Operating Temperature	-20°C ~ 60°C / -4°F ~ 140°F
Operating Humidity	10% ~ 90%
Electrical	
Power	12V DC
Power Consumption	Max. 4W
Mechanical	
Weight	0.2kg / 0.54lb (Gross Weight)
Dimensions	120 x 64 x 24mm / 4.72" x 2.52" x 0.94"

Dimensions

Units:mm



IPC521-H120-N

2.0MP 20x Vehicle PTZ Camera



Features

Excellent Image Quality

- 2.0 Megapixel 1/2.8" Progressive Scan CMOS Sensor
- High definition and smooth picture, 1080p@30fps
- H.265 video codec, saves up to 50% bandwidth and storage
- Ultra low illumination, 0.003lux with color picture
- IR automatically adjust
- 3D noise reduction / HLC / BLC

Long Operation Lifespan

- Industrial components, withstands operation temperatures of -40°C ~ 70°C
- IP66, TVS 6000V lightning protection, surge protection and voltage transient protection

Large Scale

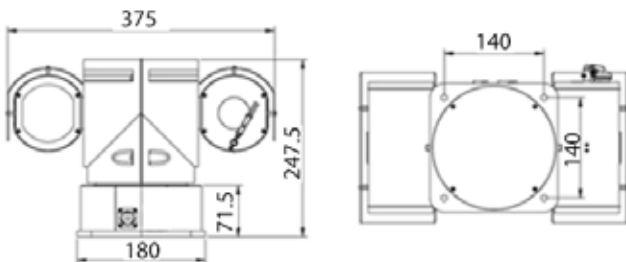
- 20x optical zoom
- IR distance up to 200m

Abundant functions and features

- Micro SD card optional, supports Automatic Network Replenishment (ANR)
- Wiper supported
- Vehicle based PT structure

Dimensions

Units:mm



Specifications

IPC521-H120-N	
Camera	
Image Sensor	1/2.8" Progressive Scan CMOS
Pixels	2.0 Megapixel
Min. Illumination	Color: 0.003lux @ (F1.6, AGC ON) B/W: 0.0003lux @ (F1.6, AGC ON); 0lux with IR
Shutter Speed	1 ~ 1/30,000S
Day / Night	Auto (ICR) / Color / B/W
Wide Dynamic Range	Digital WDR
S/N Ratio	>55dB
White Balance	Auto / Manual
Gain Control	Auto / Manual
Backlight Compensation	Off / WDR / BLC / HLC
Lens	
Focal Length	4.7 ~ 94mm, 20x optical
Zoom Speed	Approx 3s (Optical)
Angle of View	54.1° ~ 2.9° (Wide~Tele)
Min. Object Distance	300 ~ 1500mm (Wide~Tele)
Max. Aperture Ratio	F1.6 (Wide) / F3.5 (Tele)
Focus Control	Auto / Manual / Semi-Automatic
Infrared	
IR LED	8pcs IR LED Array
IR Distance	150 ~ 200m
IR Intensity	Automatically adjust according to zoom ratio
Pan and Tilt	
Pan / Tilt Range	360° Endless / -85° ~ 85° (Auto Flip)
Pan / Tilt Speed	Pan manual speed: 0.1° ~ 80°/s; Pan preset speed: 120°/s Tilt manual speed: 0.1° ~ 60°/s; Tilt preset speed: 100°/s
Proportional Zoom	Pan / Tilt speed can be adjusted automatically according to zoom multiples
Preset	256
Patrol	8 Patrols scheme, up to 32 presets per patrol
Pattern Scan	4 Scan paths, each path can record 10 minutes of operation path
Power-off Memory	Power-off memory / Power-on recovery
Auto Guard	Path / Preset / Mixed / Pan scan / Tilt scan / Frame scan / Random scan / Panorama scan
PT Limit	Manual / Scan / Pan
3D Positioning	PTZ control with mouse click and drag
Wiper	Supported
Video	
Compression Format	H.265 / H.264 / MJPEG
Image Resolution	Main stream: 1080p Secondary stream: D1
Frame Rate	Main stream: 1080p@30fps Secondary stream: D1@30fps
Bitrate	32kbps ~ 16Mbps
Bitrate Control	VBR / CBR
Multi Stream	Supported
Caption	Date&Time / Alarm / Direction / Customized
Privacy Masking	Up to 4 zones
Motion Detection	Up to 4 zones
Video Freeze	Supported
ROI	Supported
Digital Noise Reduction	3D noise reduction
Digital Defog	Supported
Image Flip	Flip / Mirror
Network	
Network Protocol	TCP/IP, UDP, HTTP, DHCP, DNS/DDNS, RTP/RTCP, RTSP, PPPoE, FTP, VSIP, UPnP, 802.1x, NAT, QoS, SMTP, IPv4, IPv6 (optional)
User Interface	IPC Control (IE, Firefox, Chrome)
Max. User Access	Max. 10 Users (includes 2 internal)
Application Programming	Onvif (Profile S, Profile G), GB/T 28181-2011, API, CGI
Alarm	
Alarm Triggers	Network disconnect
Alarm Events	Alarm report / Text overlay / Email notice
Interfaces	
Ethernet	10/100M, RJ45 interface
Memory Slot	Built-in Micro SD card (optional), up to 128GB
Environmental	
Operating Temperature	-40°C ~ 70°C / -40°F ~ 158°F
Operating Humidity	10% ~ 95%
Protection Level	IP66, TVS 6000V lightning protection, surge protection and voltage transient protection
Electrical	
Power	9 ~ 36V DC, wide range voltage input
Power Consumption	Max. 60W (IR on)
Mechanical	
Weight	7Kg / 15.44lb (Gross Weight)
Dimensions	180 x 375 x 247.5mm / 7.09" x 14.77" x 9.75"

IPC521-F233-N

2.0MP 33x Vehicle PTZ Camera



Features

Excellent Image Quality

- 2.0 Megapixel 1/3" Progressive Scan CMOS Sensor
- High definition and smooth picture, 1080p@60fps
- H.265 video codec, saves up to 50% bandwidth and storage
- Ultra low illumination, 0.003lux with color picture
- IR automatically adjusts
- 120dB Ultra WDR
- 3D noise reduction / HLC / BLC

Long Operation Lifespan

- Industrial components, withstands operation temperatures of -40°C ~ 70°C
- IP66, TVS 6000V lightning protection, surge protection and voltage transient protection

Large Scale

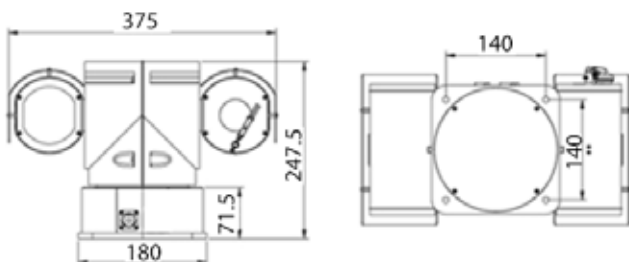
- 33x optical zoom
- IR distance up to 200m

Abundant functions and features

- Micro SD card optional, supports Automatic Network Replenishment (ANR)
- Wiper supported
- Vehicle based PT structure

Dimensions

Units:mm



Specifications

	IPC521-F233-N
Camera	
Image Sensor	1/2.8" Progressive Scan CMOS
Pixels	2.0 Megapixel
Min. Illumination	Color: 0.003lux @ (F1.6, AGC ON) B/W: 0.0003lux @ (F1.6, AGC ON); 0lux with IR
Shutter Speed	1 ~ 1/30,000s
Day / Night	Auto (ICR) / Color / B/W
Wide Dynamic Range	Ultra WDR, >=120db
S/N Ratio	>55dB
White Balance	Auto / Manual
Gain Control	Auto / Manual
Backlight Compensation	Off / WDR / BLC / HLC
Lens	
Focal Length	4.5 ~ 148.5mm, 33x optical
Zoom Speed	Approx 3s (Optical)
Angle of View	67.8°~ 2.34° (Wide~Tele)
Min. Object Distance	300 ~ 1500mm (Wide~Tele)
Max. Aperture Ratio	F1.6 (Wide) / F4.4 (Tele)
Focus Control	Auto / Manual / Semi-Automatic
Infrared	
IR LED	8pcs IR LED Array
IR Distance	150 ~ 200m
IR Intensity	Automatically adjust according to zoom ratio
Pan and Tilt	
Pan / Tilt Range	360° Endless / -85° ~ 85° (Auto Flip)
Pan / Tilt Speed	Pan manual speed: 0.1° ~ 80°/s; Pan preset speed: 120°/s Tilt manual speed: 0.1° ~ 60°/s; Tilt preset speed: 100°/s
Proportional Zoom	Pan / Tilt speed can be adjusted automatically according to zoom multiples
Preset	256
Patrol	8 Patrols scheme, up to 32 presets per patrol
Pattern Scan	4 Scan paths, each path can record 10 minutes of operation path
Power-off Memory	Power-off memory / Power-on recovery
Auto Guard	Path / Preset / Mixed / Pan scan / Tilt scan / Frame scan / Random scan / Panorama scan
PT Limit	Manual / Scan / Pan
3D Positioning	PTZ control with mouse click and drag
Wiper	Supported
Video	
Compression Format	H.265 / H.264 / MJPEG
Image Resolution	Main stream: 1080p Secondary stream: D1
Frame Rate	Main stream: 1080p@60fps Secondary stream: D1@30fps
Bitrate	32kbps ~ 16Mbps
Bitrate Control	VBR / CBR
Multi Stream	Supported
Caption	Date&Time / Alarm / Direction / Customized
Privacy Masking	Up to 4 zones
Motion Detection	Up to 4 zones
Video Freeze	Supported
ROI	Supported
Digital Noise Reduction	3D noise reduction
Digital Defog	Supported
Image Flip	Flip / Mirror
Network	
Network Protocol	TCP/IP, UDP, HTTP, DHCP, DNS/DDNS, RTP/RTCP, RTSP, PPPoE, FTP, VSIP, UPnP, 802.1x, NAT, QoS, SMTP, IPv4, IPv6 (optional)
User Interface	IPC Control (IE, Firefox, Chrome)
Max. User Access	10 Users (include 2 internal access)
Application Program	Onvif (Profile S, Profile G), GB/T 28181-2011, API, CGI
Alarm	
Alarm Triggers	Network disconnect
Alarm Events	Alarm report / Text overlay / Email notice
Interfaces	
Ethernet	10/100M, RJ45 interface
Memory Slot	Built-in Micro SD card (optional), up to 128GB
Environmental	
Operating Temperature	-40°C ~ 70°C / -40°F ~ 158°F
Operating Humidity	10% ~ 95%
Protection Level	IP66, TVS 6000V lightning protection, surge protection and voltage transient protection
Electrical	
Power	9 ~ 36V DC, wide range voltage input
Power Consumption	Max. 60W (IR on)
Mechanical	
Weight	7Kg / 15.44lb (Gross Weight)
Dimensions	180 x 375 x 247.5mm / 7.09" x 14.77" x 9.75"

IPC521-H120-W

2.0MP 20x Vehicle Wi-Fi PTZ Camera



Features

Excellent Image Quality

- 2.0 Megapixel 1/2.8" Progressive Scan CMOS Sensor
- High definition and smooth picture, 1080p@30fps
- H.265 video codec, saves up to 50% bandwidth and storage
- Ultra low illumination, 0.003lux with color picture
- IR automatically adjust
- 3D noise reduction / HLC / BLC

Long Operation Lifespan

- Industrial components, withstands operation temperatures of -40°C ~ 70°C
- IP66, TVS 6000V lightning protection, surge protection and voltage transient protection

Large Scale

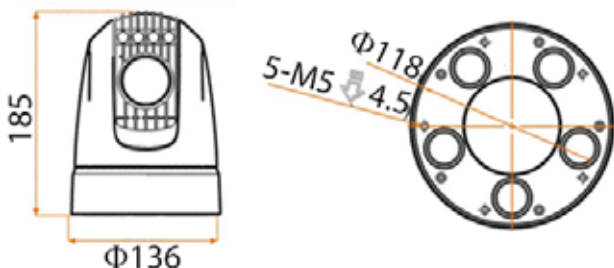
- 20x optical zoom
- IR distance up to 60m

Abundant functions and features

- Micro SD card optional, supports Automatic Network Replenishment (ANR)
- Built-in super magnet
- Wi-Fi supported
- Up to 8 hours continuous working with battery
- Vehicle based PT structure

Dimensions

Units:mm



Specifications

IPC521-H120-W	
Camera	IPC521-H120-W
Image Sensor	1/2.8" Progressive Scan CMOS
Pixels	2.0 Megapixel
Min. Illumination	Color: 0.003lux @ (F1.5, AGC ON) B/W: 0.0003lux @ (F1.5, AGC ON); 0lux with IR
Shutter Speed	1 ~ 1/30,000S
Day / Night	Auto (ICR) / Color / B/W
Wide Dynamic Range	Digital WDR
S/N Ratio	> 50dB
White Balance	Auto / Manual
Gain Control	Auto / Manual
Backlight Compensation	Off / WDR / BLC / HLC
Lens	
Focal Length	4.7 ~ 94mm, 20x optical
Zoom Speed	Approx 3s (Optical)
Angle of View	54.1° ~ 2.9° (Wide~Tele)
Min. Object Distance	300 ~ 1500mm (Wide~Tele)
Max. Aperture Ratio	F1.5 (Wide) / F3.5 (Tele)
Focus Control	Auto / Manual / Semi-Automatic
Infrared	
IR LED	4pcs IR LED Array
IR Distance	40 ~ 60m
IR Intensity	Automatically adjust according to zoom ratio
Pan and Tilt	
Pan / Tilt Range	360° Endless / -15° ~ 90° (Auto Flip)
Pan / Tilt Speed	Pan manual speed: 0.1° ~ 30°/s; Pan preset speed: 40°/s Tilt manual speed: 0.1° ~ 30°/s; Tilt preset speed: 40°/s
Proportional Zoom	Pan / Tilt speed can be adjusted automatically according to zoom multiples
Preset	256
Patrol	8 Patrols scheme, up to 32 presets per patrol
Pattern Scan	4 Scan paths, each path can record 10 minutes of operation path
Power-off Memory	Power-off memory / Power-on recovery
Auto Guard	Path / Preset / Mixed / Pan scan / Tilt scan / Frame scan / Random scan / Panorama scan
PT Limit	Manual / Scan / Pan
3D Positioning	PTZ control with mouse click and drag
Video	
Compression Format	H.265 / H.264 / MJPEG
Image Resolution	Main stream: 1080p Secondary stream: D1
Frame Rate	Main stream: 1080p@30fps Secondary stream: D1@30fps
Bitrate	32kbps ~ 16Mbps
Bitrate Control	VBR / CBR
Multi Stream	Supported
Caption	Date&Time / Alarm / Direction / Customized
Privacy Masking	Up to 4 zones
Motion Detection	Up to 4 zones
Video Freeze	Supported
ROI	Supported
Digital Noise Reduction	3D noise reduction
Digital Defog	Supported
Image Flip	Flip / Mirror
Network	
Network Protocol	TCP/IP, UDP, HTTP, DHCP, DNS/DDNS, RTP/RTCP, RTSP, PPPoE, FTP, VSIP, UPnP, 802.1x, NAT, QoS, SMTP, IPv4, IPv6 (optional)
User Interface	IPC Control (IE, Firefox, Chrome)
Max. User Access	10 Users (include 2 internal access)
Application Program	Onvif (Profile S, Profile G), GB/T 28181-2011, API, CGI
Alarm	
Alarm Triggers	Network disconnect
Alarm Events	Alarm report / Text overlay / Email notice
Interfaces	
Ethernet	4-Pin 10/100M interface, 2-Pin Charge interface
Wi-Fi	Built-in Wi-Fi module
Memory Slot	Built-in Micro SD card (optional), up to 128GB
Environmental	
Operating Temperature	Power supplied by built-in battery: -20°C ~ 60°C / -4°F ~ 140°F Power supplied by DC: -40°C ~ 70°C / -40°F ~ 158°F
Operating Humidity	10% ~ 95%
Protection Level	IP66, TVS 6000V lightning protection, surge protection and voltage transient protection
Electrical	
Power	Built-in 10000mAh rechargeable lithium battery Up to 8 hours continuous working with battery 12V DC ± 10%
Power Consumption	Max. 60W (IR on)
Mechanical	
Magnet	Built-in super magnet
Weight	2.5Kg / 5.51lb (Gross Weight)
Dimensions	Φ136 × 185mm / Φ5.35" × 7.29"

IPC521-F120-G

2.0MP 20x Vehicle Wi-Fi PTZ Camera



Features

Excellent Image Quality

- 2.0 Megapixel 1/2.8" Progressive Scan CMOS Sensor
- High definition and smooth picture, 1080p@30fps
- H.265 video codec, saves up to 50% bandwidth and storage
- Ultra low illumination, 0.003lux with color picture
- IR automatically adjust
- 3D noise reduction / HLC / BLC

Long Operation Lifespan

- Industrial components, withstands operation temperatures of -40°C ~ 70°C
- IP66, TVS 6000V lightning protection, surge protection and voltage transient protection

Large Scale

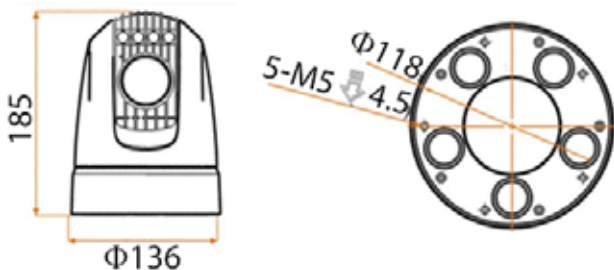
- 20x optical zoom
- IR distance up to 80m

Abundant functions and features

- Built-in Micro SD card, supports Automatic Network Replenishment (ANR)
- Built-in super magnet
- 3G / 4G / Wi-Fi supported
- Up to 6 hours continuous working with battery in 4G
- Vehicle based PT structure

Dimensions

Units:mm



Specifications

	IPC521-F120-G
Camera	
Image Sensor	1/2.8" Progressive Scan CMOS
Pixels	2.0 Megapixel
Min. Illumination	Color: 0.003lux @ (F1.5, AGC ON) B/W: 0.0003lux @ (F1.5, AGC ON); 0lux with IR
Shutter Speed	1 ~ 1/30,000S
Day / Night	Auto (ICR) / Color / B/W
Wide Dynamic Range	Digital WDR
S/N Ratio	> 50dB
White Balance	Auto / Manual
Gain Control	Auto / Manual
Backlight Compensation	Off / WDR / BLC / HLC
Lens	
Focal Length	4.7 ~ 94mm, 20x optical
Zoom Speed	Approx 3s (Optical)
Angle of View	54.1° ~ 2.9° (Wide~Tele)
Min. Object Distance	300 ~ 1500mm (Wide~Tele)
Max. Aperture Ratio	F1.5 (Wide) / F3.0 (Tele)
Focus Control	Auto / Manual / Semi-Automatic
Infrared	
IR LED	4pcs IR LED Array
IR Distance	40 ~ 80m
IR Intensity	Automatically adjust according to zoom ratio
Pan and Tilt	
Pan / Tilt Range	360° Endless / -15° ~ 90° (Auto Flip)
Pan / Tilt Speed	Pan manual speed: 0.1° ~ 30°/s; Pan preset speed: 40°/s Tilt manual speed: 0.1° ~ 30°/s; Tilt preset speed: 40°/s
Proportional Zoom	Pan / Tilt speed can be adjusted automatically according to zoom multiples
Preset	256
Patrol	8 Patrols scheme, up to 32 presets per patrol
Pattern Scan	4 Scan paths, each path can record 10 minutes of operation path
Power-off Memory	Power-off memory / Power-on recovery
Auto Guard	Path / Preset / Mixed / Pan scan / Tilt scan / Frame scan / Random scan / Panorama scan
PT Limit	Manual / Scan / Pan
3D Positioning	PTZ control with mouse click and drag
Video	
Compression	H.265 / H.264 / MJPEG
Image Resolution	Main stream: 1080p Secondary stream: D1
Frame Rate	Main stream: 1080p@30fps Secondary stream: D1@30fps
Bitrate	64kbps ~ 16Mbps
Bitrate Control	VBR / CBR
Multi Stream	Supported
Caption	Date and time / Alarm / Direction / Customized
Privacy Masking	Up to 4 zones
Motion Detection	Up to 4 zones
Video Freeze	Supported
ROI	Supported
Digital Noise Reduction	3D noise reduction
Digital Defog	Supported
Image Flip	Flip / Mirror
Network	
Network Protocols	TCP/IP, UDP, HTTP, DHCP, DNS/DDNS, RTP/RTCP, RTSP, PPPoE, FTP, VSIP, UPnP, 802.1x, NAT, QoS, SMTP, IPv4, IPv6 (optional)
User Interface	IPC Control (IE, Firefox, Chrome)
Max. User Access	Max. 10 Users (includes 2 internal)
Wireless	3G / 4G / Wi-Fi
	FDD-LTE: B1 / B2 / B3 / B5 / B7 / B8 / B20 TDD-LTE: B38 / B39 / B40 / B41 HSPA / UMTS: 850 / 900 / 1800 / 1900 / 2100MHz GSM / GPRS / EDGE: 850 / 900 / 1800 / 1900MHz TD-SCDMA: B34 / B39 EVDO/CDMA: BCD / BC1
3G / 4G Frequency Band	
Wi-Fi	802.11b/g/n 2.4G, Wi-Fi AP
Location Technology	GPS, GLONASS (optional)
Application Programming	Onvif (Profile S, Profile G), API, CGI
Alarm	
Alarm Triggers	Network disconnect
Alarm Events	Alarm report / Text overlay / Email notice
Interfaces	
Aviation Port	4-Pin 10/100M interface, 2-Pin Charge interface
Wi-Fi	Built-in Wi-Fi module
GPS	Built-in GPS module
3G / 4G	Built-in 3G / 4G module
Memory Slot	Built-in 128G Micro SD card
Environmental	
Operating Temperature	Power supplied by built-in battery: -20°C ~ 60°C / -4°F ~ 140°F Power supplied by DC: -40°C ~ 70°C / -40°F ~ 158°F
Operating Humidity	10% ~ 95%
Protection Level	IP66, TVS 6000V lightning protection, surge protection and voltage transient protection
Electrical	
Power	Built-in 10000mAh rechargeable lithium battery Up to 6 hours continuous working with battery in 4G 12V DC ± 10%
Power Consumption	Max. 63W (IR on)
Mechanical	
Magnet	Built-in super magnet
Weight	2.5kg / 5.51lb (Gross Weight)
Dimensions	Φ136 x 185mm / Φ5.35" x 7.29"
Accessories	
Optional	Three-proof Suitcase

KDM2410M-V21

Vehicle NVR / Wireless Mobile Encoder



Features

Excellent Video Transmission

- KWTP protocol for 3G / 4G transmission, improves the video stream continuity under unstable network
- H.265 video codec, saves up to 50% bandwidth and storage

High Reliability

- Embedded Linux
- Low power consumption
- Aviation plug design for Ethernet, video, audio, control signal and power supply
- Fan-less design with heat dissipation shell
- Shock-proof design, protects the HDD while vehicle is being driven

Easy to Use

- Pluggable HDD drawer, easy to change HDD module
- HDD module support USB interface, easy to backup record

Abundant functions and features

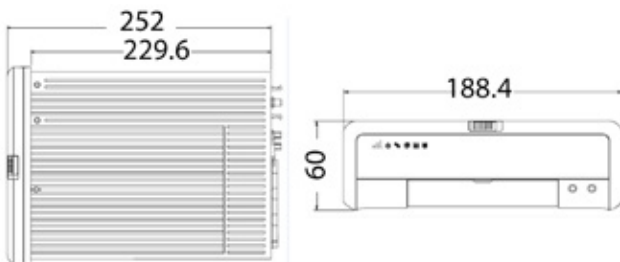
- 4 Channel IP Camera + 4 Channel Analog Camera access
- Built-in Wi-Fi AP module, can access Wi-Fi IP camera and PAD
- All mobile networks supported
- Built-in GPS module
- Supports dual SIM card bundle

Specifications

	KDM2410M-V21
Camera Input	
IP Camera	4 Channel
Analog Camera	4 Channel
Video	
Compression Format	H.265 / H.264
Resolution	4MP, 1080p, 720p, D1, CIF, QCIF
Dual Stream	Supported
Video Frame Rate	1 ~ 30fps
Bitrate	64Kbps ~ 4Mbps
Audio	
Compression Format	G.711a / G.711u / ADPCM / AMR / G.722.1c / AAC-LC
Bit rate	24Kbps ~ 64Kbps
Audio Function	Bi-directional audio / AEC / Mute / Dumb / Remix
Storage	
HDD	1 x 2.5" hard disk (hard disk drawer), Max. 4TB
Memory Slot	SD slot, supports up to 128GB
Network	
Network Protocol	TCP/IP, ARP, FTP, TELNET, HTTP, RTP/RTCP, SNTP, VSIP, KWTP, IPv4, IPv6 (optional)
Function	NAT / Multiple network access / Packet loss recovery
Wireless	3G (optional) / 4G (optional) / Wi-Fi
	FDD-LTE: B1 / B2 / B3 / B5 / B7 / B8 / B20
	TDD-LTE: B38 / B39 / B40 / B41
3G / 4G Frequency Band	HSPA / UMTS: 850 / 900 / 1800 / 1900 / 2100MHz
	GSM / GPRS / EDGE: 850 / 900 / 1800 / 1900MHz
	TD-SCDMA: B34 / B39
	EVDO/CDMA: BC0 / BC1
Wi-Fi	802.11b/g/n 2.4G, Wi-Fi AP
Location Technology	GPS, GLONASS (optional), Beidou (optional)
Interfaces	
Ethernet	1 x RJ45, 10Base-T/100Base-TX
Audio In / Out	1 x Mic in, 1 x Mic out
	4 x 10 pin: 4 x Video input / 4 x Audio input, 4 x DC12V / 1A Output, 4 x RJ45
Aviation Plug	1 x 4 pin: Power supply for PTZ Camera
	1 x 10 pin: Video output
	1 x 9 pin: Power input 9 ~ 36V DC
Alarm In / Out	4 x Input / 1 x Output
Control	1 x RS485, 1 x RS232
Antenna	1 x Wi-Fi Antenna interface, 1 x GPS Antenna interface
Extension	3 x Extension module slot (supports 3G / 4G module, GLONASS / Beidou module)
Environmental	
Operating Temperature	-40°C ~ 70°C / -40°F ~ 158°F
Operating Humidity	10% ~ 85%
Elevation	-60m ~ 5000m
Electrical	
Power	9 ~ 36V DC wide range input
Power Consumption	12V DC input
	15W (HDD not included)
Mechanical	
Weight	2.6kg / 5.73lb
Dimension	252 x 188.4 x 60mm / 9.92" x 7.42" x 2.36"
Accessories	
Standard	1 x Wi-Fi Antenna, 1 x GPS Antenna, 7 x Aviation plug connector cable, 1 x USB cable
Optional	3G / 4G Module, Mounting Box, HDD Box, Android Pad

Dimensions

Units:mm



SVR2420

Mobile PoE NVR



Features

Excellent Video Transmission

- KWTP protocol for 3G / 4G transmission, improves the video stream continuity underunstable network conditions
- H.265 video codec, saves up to 50% bandwidth and storage

High-performance

- 1 x 4K@30fps video decoding capability
- Up to 12 channel and 4K H.265 supported

High reliability

- Embedded Linux
- Low power consumption
- Aviation plug design for Ethernet, video, audio, control signal and power supply
- Fan-less design with heat dissipation shell
- Shock-proof design, protects the HDD while vehicle is being driven

Easy to install and Use

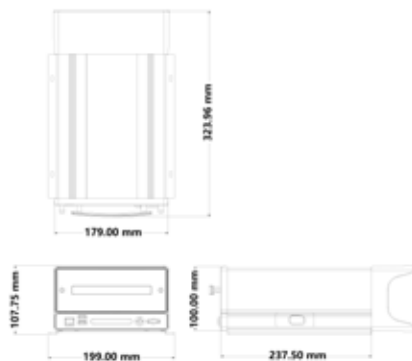
- Automatic network organizing
- Built-in DHCP server
- Pluggable HDD drawer, easy to change HDD module
- HDD module supports USB interface, easy to backup record

Abundant functions and features

- Up to 12 IP Camera access
- Built-in Wi-Fi AP module, can access Wi-Fi IP camera
- All mobile networks supported
- Supports dual SIM card bundle
- Built-in GPS module

Dimensions

Units:mm



Specifications

	SVR2420-0204A/4P	SVR2420-0208A/8P	SVR2420-0212A/8P
Video/Audio Input			
Camera Input	4 channel	8 channel	12 channel
Resolution	8MP(4K), 1080p, UXGA, 960p, 720p, XGA, SVGA, D1, CIF, QCIF		
Compression	H.264 / H.265		
Protocols	Onvif, RTSP, KEDACOM		
Bitrate	64kbps ~ 16384kbps		
Incoming Bandwidth	20Mbps	40Mbps	60Mbps
Live Viewing			
Local Display	1 x HDMI, 1 x VGA, 2 x CVBS, simultaneously output same content		
Layout	1, 4, 9, 16		
Function	E-PTZ / Scheme / Polling		
Recording			
Resolution	8MP(4K), 1080p, UXGA, 960p, 720p, XGA, SVGA, D1, CIF, QCIF		
Mode	Manual / Continuous / Schedule / Event (Pre / Post)		
Event Trigger	Supported		
Tag	Supported		
Search & Playback			
Search Mode	Date and time (Calendar) / Event		
Resolution	8MP (4K), 1080p, UXGA, 960p, 720p, XGA, SVGA, D1, CIF, QCIF		
Playback (Local Monitor)	1 x 4K@30fps / 4 x 1080p@30fps		
Playback (Client)	up to 16 x 4K@30fps		
Synchronize Playback (Local Monitor)	1 x 4K@30fps / 4 x 1080p@30fps		
Synchronize Playback (Client)	4 x 4K@30fps		
Function	Slow forward / Fast forward / Loop / Single frame / E-PTZ		
Storage			
Max. Internal HDDs	2 x 2.5" HDD		
Built-in Storage	Max. 8TB (up to 4TB / each)		
	-GH: 1 x 1TB HDD		
Audio			
Compression	G.711a / G.711u / ADPCM / G.722 / G.722.1c / AAC-LC / G.726		
Bit rate	32kbps ~ 64kbps		
Audio Function	Bi-directional audio / Dumb / Mute / Broadcasting		
Alarm			
Service Alarm Triggers	Alarm input / Video lost / Motion detection / Tampering / Guard line / Defocus / Scene change / Enter guard area / Exit guard area / Object left / Object removal / Gathering / Audio surge		
System Alarm Triggers	Device disconnected / No disk / Disk error / IP Address conflict / Network fault / Insufficient recording space / MAC address conflict / Insufficient snapshot space / Unauthorized access		
Alarm Events	Snapshot / Recording / PTZ preset / Buzzer / Email / Link to Client / Alarm caption / Live view in first window / Link to TV Wall / Full screen viewing		
System			
Operating System	Embedded Linux		
User Management	Admin / User		
Log Management	User login / User operation / Alarm / Backup / Update		
Application Programming	CGI		
Network			
Network Protocols	TCP / IP, UDP, HTTP, DHCP, DNS / DDNS, RTP / RTCP, RTSP, PPPoE, FTP, SNMP, VSP, UPNP, SMT, IPv4, IPv6 (optional)		
Viewer Software	Web		
Max. User Access	16 Users		
Function	NAT / Socks5 / Multiple network access / Packet loss recovery		
Network Test	Supported		
Wireless	-S: Wi-Fi -G / -GH: Wi-Fi, 3G / 4G		
Number of Simcard Slots	-S: 0 -G / -GH: default 1, up to 2		
	FDD-LTE: B1 / B2 / B3 / B5 / B7 / B8 / B20		
	TDD-LTE: B38 / B39 / B40 / B41		
	HSPA / UMTS: 850 / 900 / 1800 / 1900 / 2100MHz		
3G / 4G Frequency Band	GSM / GPRS / EDGE: 850 / 900 / 1800 / 1900MHz TD-SCDMA: B34 / B39 EVDO/CDMA: BCD / BC1 Customizable network spectrum		
Wi-Fi	802.11 b/g/n/a/ac 2.4G / 5G, Wi-Fi AP		
Location Technology	GPS, GLONASS		
Application Programming	Onvif (Profile S, Profile G), API, CGI		
Interfaces			
Ethernet	1 x 10 / 100M, RJ45 interface		
Audio In / Out	1 x Line in / 1 x Mic in / 1 x Line out 2 x 10 pin: 4 x PoE RJ45 interface 4 x 10 pin: 8 x PoE RJ45 interface		4 x 10 pin: 8 x PoE RJ45 interface
Aviation Plug	1 x 4 pin: 2 x CVBS output 1 x 4 pin: Power supply for PTZ camera 1 x 9 pin: Power input 9 ~ 36V DC	1 x 4 pin: 2 x CVBS output 1 x 4 pin: Power supply for PTZ camera 1 x 9 pin: Power input 9 ~ 36V DC	1 x 4 pin: 2 x CVBS output 1 x 4 pin: Power supply for PTZ camera 1 x 9 pin: Power input 9 ~ 36V DC
Video Out	1 x HDMI (up to 4K@30Hz) 1 x VGA (up to 1920 x 1080@60Hz) 2 x CVBS (PAL 720 x 576, NTSC 720 x 480)		
PoE Camera Input	4 channel	8 channel	8 channel
Alarm In / Out	8 x Input / 4 x Output		
Antenna	2 x Wi-Fi Antenna interface, 1 x GNSS Antenna interface, 1 x 4G Antenna interface (up to 2)		
Control	1 x RS485, 1 x RS232		
Environmental			
Operating Temperature	-40°C ~ 70°C / -40°F ~ 158°F		
Operating Humidity	10% ~ 90%		
Electrical			
Power	DC 9 ~ 36V		
Power Consumption	max. 96W		
Mechanical			
Weight	5.6kg / 12.35lb		
Dimensions	280 x 180 x 98mm / 11.02" x 7.09" x 3.86"		
Accessories			
	1 x Cable Housing 1 x 18 pin Wire Harness Connector 1 x 20 pin Harness Connector	1 x Cable Housing 1 x 18 pin Wire Harness Connector 1 x 20 pin Harness Connector	1 x Cable Housing 1 x 18 pin Wire Harness Connector 1 x 20 pin Harness Connector
Standard	5 x Aviation plug connector cable 2 x Wi-Fi Antenna 1 x GNSS Antenna -G / GH: 1 x 4G Antenna (up to 2)	7 x Aviation plug connector cable 2 x Wi-Fi Antenna 1 x GNSS Antenna -G / GH: 1 x 4G Antenna (up to 2)	7 x Aviation plug connector cable 2 x Wi-Fi Antenna 1 x GNSS Antenna -G / GH: 1 x 4G Antenna (up to 2)
Optional	HDMI adapter cable (Type-E male to type-A male)		

IPW200-P1HD

Body Worn Surveillance Phone



Features

High Level Protection

- IP67, adaptive to various environments
- 1.5 meters drop protection

Excellent Video Transmission

- KWTP protocol for 3G / 4G / Wi-Fi transmission, improve the video stream continuity under unstable network conditions
- H.264 high profile video codec, saves up to 30% bandwidth and storage

Various Camera

- 13MP main camera + 8MP front camera
- Optional extendable camera types (button, badge, ear-hook)
- Optional DV adaptor, supports HDMI video input

High Performance

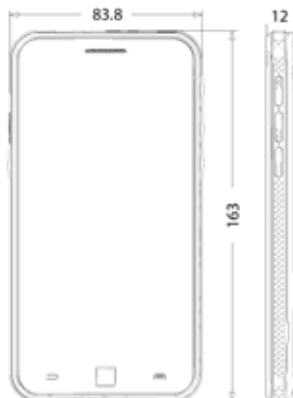
- Qualcomm 8 core 1.5GHz processor
- High definition and smooth picture, 1080p@30fps
- Supports all types of mobile network
- Supports dual SIM dual standby

Abundant Functions and Features

- Android 5.0 OS, supports third party app
- 5.5" 1080p HD IPS screen display
- Supports location function by GPS, GLONASS, Beidou

Dimensions

Units:mm



Specifications

IPW200-P1HD		
System		
Operating System	Android 5.0 64bit OS	
Processor	Qualcomm 8 core 1.5GHz	
RAM	2GB	
Video		
Compression Format	H.264	
Image Resolution	Main stream: 1080p Secondary stream: D1	
Frame Rate	Main stream: 1080p@30fps Secondary stream: D1@25fps	
Bitrate	64Kbps ~ 8Mbps	
Dual-stream	Supported	
Caption	Date and time / Customized	
Audio		
Compression	G.711a / G.722c / ADPCM / AMR	
Coding Rate	12Kbps ~ 64Kbps	
Audio Function	Bi-directional audio / AEC / Mixed audio recording / Dumb / Mute	
Display		
Size	5.5"	
Resolution	1920 x 1080	
Technology	IPS screen, visible under the sun	
Touchscreen	5 point touch, supports gloves mode	
Camera		
Main Camera	13MP, Auto focus, Flashlight, Snapshot	
Front Camera	8MP	
Network		
2G	GSM: B2 / B3 / B5 / B8 CDMA: BC0	
3G	WCDMA: B1 / B2 / B5 / B8 TD-SCDMA: B34 / B39 EVDO: BC0	
4G	FDD-LTE: B1 / B3 / B7 TD-LTE: B38 / B39 / B40 / B41	
Wi-Fi	802.11 b/g/n 2.4G	
Bluetooth	Bluetooth 4.0	
NFC	Supported	
Location Technology	GPS, GLONASS	
Storage		
ROM	16G	
External Memory	MicroSD (up to 128G)	
Interface		
Shortcut Button	PTT, Alarm	
Audio In / Out	Built-in Mic, Built-in Speaker, 1 x 3.5mm Stereo Earjack	
SIM	2 x Micro SIM slot	
Extension	1 x Private extension interface	
USB	1 x Micro USB2.0	
Protection		
Protection Level	IP67	
Drop Protection	1.5 meters drop	
Battery		
Capacity	4000mAh	
Replaceable	Supported	
Built-in Camera Usage Time (Hours)	4G (on)	Screen on: Up to 5h Screen off: Up to 8h
	Wi-Fi (on)	Screen on: Up to 4h Screen off: Up to 7h
External Camera Usage Time (Hours)	4G (off) / Wi-Fi (off)	Screen on: Up to 6h Screen off: Up to 10.5h
	4G (on)	Screen on: Up to 2.3h Screen off: Up to 2.8h
External Camera (720p) Usage Time (Hours)	Wi-Fi (on)	Screen on: Up to 2.1h Screen off: Up to 2.5h
	4G (off) / Wi-Fi (off)	Screen on: Up to 2.4h Screen off: Up to 2.9h
External Camera (1080p) Usage Time (Hours)	4G (on)	Screen on: Up to 1.1h Screen off: Up to 1.4h
	Wi-Fi (on)	Screen on: Up to 1h Screen off: Up to 1.3h
	4G (off) / Wi-Fi (off)	Screen on: Up to 1.2h Screen off: Up to 1.4h
Mechanical		
Weight	237.7g / 0.524lb (including battery)	
Dimensions	163 x 83.8 x 12mm / 6.42" x 3.3" x 0.47"	
Accessories		
Standard	Power adapter, USB cable, Battery, Headset	
Optional	Additional battery, External battery module, Button / Badge camera, Ear-hook camera, DV adaptor	
* All battery claims depend on network configuration and many other factors, actual results will vary.		

DSJ-U1

Body Worn Camera



Features

High Level Protection

- IP67, adaptive to various environments
- 2 meters drop protection

Excellent Video Transmission

- KWTP protocol for 3G / 4G / Wi-Fi transmission, improves the video stream continuity under unstable network conditions
- H.264 / H.265 video codec, saves up to 50% bandwidth and storage

High Quality Image

- Night view with LED and IR
- High definition and smooth picture, 1080p@30fps
- Optional extendable camera types (button, badge, ear-hook)

High Performance

- Qualcomm 8 core processor
- Supports types of 3G / 4G network

Abundant Functions and Features

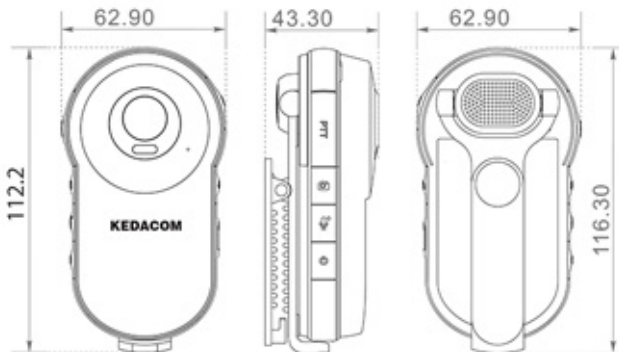
- 2.2" touchscreen display
- Various shortcut button
- Supports location function by GPS, GLONASS
- Supports external memory

Specifications

	DSJ-U1-W / DSJ-U1-WN	DSJ-U1-LP / DSJ-U1-LPN
System	DSJ-U1-W / DSJ-U1-WN	
Operating System	Deep customized Android OS	
Processor	Qualcomm 8 core 1.5GHz	Qualcomm 8 core 2GHz
Application System	Customized law-enforcing recording software system	
RAM	2GB	3GB
Video	DSJ-U1-LP / DSJ-U1-LPN	
Compression	H.264	H.264 / H.265
Image Resolution	Main stream: 1080p Secondary stream: D1	Secondary stream: 720p
Frame Rate	Main stream: 1080p@30fps Secondary stream: D1@30fps	Secondary stream: 720p@30fps
Bitrate	64Kbps ~ 8Mbps	
Dual-stream	Supported	
Caption	Date and time / Customized	
Watermark	Supported	
Audio	DSJ-U1-LP / DSJ-U1-LPN	
Compression	G.711a / G.7221c / ADPCM / AACLC	
Coding Rate	32Kbps ~ 64Kbps	
Audio Function	Bi-directional audio / AEC / Dumb / Mute	
Display	DSJ-U1-LP / DSJ-U1-LPN	
Size	2.2"	
Technology	Visible under the sun	
Touchscreen	Supported	
Camera	DSJ-U1-LP / DSJ-U1-LPN	
Image Sensor	1/3" progressive scan CMOS	1/2.8" progressive scan CMOS
Focal Length	2.55mm	
Angle of View	Diagonal 150°, Horizontal 110°	Diagonal 150°, Horizontal 110°
Snapshot Resolution	13MP	
Night View	2 white LED, 2 IR LED, 15M Infrared Distance	
Network	DSJ-U1-LP / DSJ-U1-LPN	
3G	Not supported	WCDMA: B1 / B2 / B5 / B8 TD-SCDMA: B34 / B39 EVDO: BC0 FDD-LTE: B1 / B3 / B7 TD-LTE: B38 / B39 / B40 / B41
4G	Not supported	
Wi-Fi	802.11 a/b/g/n 2.4G+5GHz	
Bluetooth	Bluetooth 4.0	
NFC	Not supported	Supported
Location Technology	GPS, GLONASS	
Storage	DSJ-U1-LP / DSJ-U1-LPN	
ROM	16G	32G
External Memory	Micro SD (up to 128G)	
Interface	DSJ-U1-LP / DSJ-U1-LPN	
Shortcut Button	PTT (optional), Power on/off, Video recording, Audio recording, Snapshot, Event tag	
SIM	Not supported	1 x Micro SIM slot
USB	1 x Micro USB2.0	
Protection	DSJ-U1-LP / DSJ-U1-LPN	
Protection Level	IP67	
Drop Protection	2 meters drop	
Battery	DSJ-U1-LP / DSJ-U1-LPN	
Capacity	2700mAh	
Replaceable	Supported	
Built-in Camera Usage Time (Hours)	3G / 4G Not supported Wi-Fi (on): Up to 5.7h Wi-Fi (off): Up to 6h	3G / 4G (on): Up to 7h Wi-Fi (on): Up to 7h 3G / 4G (off) and Wi-Fi (off): Up to 9h
External Camera (720p) Usage Time (Hours)	3G / 4G Not supported Wi-Fi (on): Up to 2.4h Wi-Fi (off): Up to 2.6h	3G / 4G (on): Up to 3.5h Wi-Fi (on): Up to 3.5h 3G / 4G (off) and Wi-Fi (off): Up to 3.8h
External Camera (1080p) Usage Time (Hours)	3G / 4G Not supported Wi-Fi (on): Up to 2.2h Wi-Fi (off): Up to 2.5h	3G / 4G (on): Up to 3.2h Wi-Fi (on): Up to 3.2h 3G / 4G (off) and Wi-Fi (off): Up to 3.5h
Environmental	DSJ-U1-LP / DSJ-U1-LPN	
Operating Temperature	-30°C ~ 70°C / -22°F ~ 158°F	
Mechanical	DSJ-U1-LP / DSJ-U1-LPN	
Weight	206g / 0.454lb (including battery)	199g / 0.439lb (including battery)
Dimensions	111.3 × 62.1 × 30.3mm / 4.38" × 2.44" × 1.19"	
Accessories	DSJ-U1-LP / DSJ-U1-LPN	
Standard	Power adapter, USB cable, Battery	
Optional	Additional battery, Button / Badge camera, Ear-hook camera	
* All battery claims depend on network configuration and many other factors, actual results will vary		

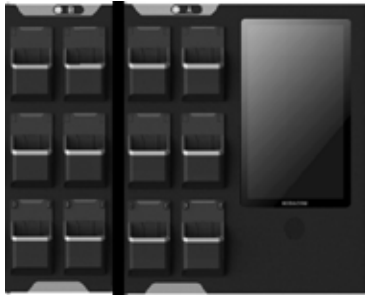
Dimensions

Units:mm



ZCS-KDCA1

Data Docking Station



Features

High Performance

- 13.3" color LCD with resolution of 1920 x 1080
- Supports up to 24 units of body worn camera
- Supports up to 24TB storage

Easy to Use

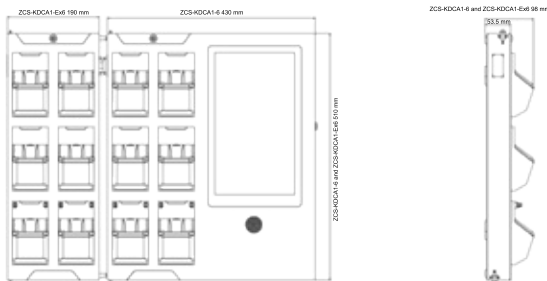
- Wall-mounted and desktop designed, easy to install
- Modular design, easy to upgrade system capacity
- Plug and play, auto charging and data transmission
- Touch screen operation

Abundant Functions and Features

- Record searching and playback
- Auto lock after device plugged in
- Use the password to unlock device
- Priority slot for high speed data transmission
- Built-in battery protection for sudden power-off / shut down

Dimensions

Units:mm



Specifications

	ZCS-KDCA1
System	
Operating System	Windows10
Processor	Intel N3710
Application System	Data Docking Station Management Software
RAM	4GB
User Management	Admin / User
Log Management	User login / User operation / Alarm / Update
Display	
Size	13.3"
Resolution	1920 x 1080
Touch Screen	Supported
Search & Playback	
File Type	Video, Audio, Pic, Log
Search Mode	Duration filter / Tag
Playback Resolution	1 x 1080p@30fp
Functions	Querying, Viewing, Downloading, Removing
Slot	
Default Slot	ZCS-KDCA1-6: 6 Slots by default, supports 6 units of Body Worn Camera Supports up to 3 extended modules (6 slots per module) Applies to DSJ-U1-W, DSJ-U1-L and DSJ-U1-LP ZCS-KDCA1-6N: 6 Slots by default, supports 6 units of Body Worn Camera Supports up to 3 extended modules (6 slots per module) Applies to DSJ-U1-WN, DSJ-U1-LPN ZCS-KDCA1-EX6: Extended module of ZCS-KDCA1-6, 6 slots per module, supports 6 units of Body Worn Cameras
Extended Module	Applies to DSJ-U1-W, DSJ-U1-L and DSJ-U1-LP ZCS-KDCA1-EX6N: Extended module of ZCS-KDCA1-6N, 6 slots per module, supports 6 units of Body Worn Cameras Applies to DSJ-U1-WN, DSJ-U1-LPN
Slot Functions	Battery charging, Data transmission, Lock, Priority slot, Automatic upgrade, Time correction
Data Loading Speed	Full load: up to 4.6MB/s per slot For priority slot: up to 15MB/s
Alarm	
System Alarm Triggers	No disk / Insufficient recording space / Network disconnected
Alarm Events	Buzzer / Alarm text
Storage	
Max. Internal HDDs	3 x 3.5" hard disk drawer (1 x 4TB Hard disk included) Max. 24TB (up to 8TB/each)
RAID	RAID 1
Interfaces	
Ethernet	1 x Gigabite network port, RJ45 interface
Audio Out	Built-in speaker
Point lock	1 x Point lock (Unlock all devices at the same time bye key)
USB	1 x USB 2.0: for extended device 2 x Mini USB: for thirdparty device charging 2 x Micro USB: for thirdparty device charging
Environmental	
Operating Temperature	-10°C ~ 55°C / 14°F ~ 131°F
Operating Humidity	10% ~ 95%
Electrical	
Power	100 ~ 240V AC, 50 ~ 60Hz ZCS-KDCA1-6/6N: Max. 105W ZCS-KDCA1-6/6N + 1 x ZCS-KDCA1-EX6/6N: Max. 135W ZCS-KDCA1-6/6N + 2 x ZCS-KDCA1-EX6/6N: Max. 165W ZCS-KDCA1-6/6N + 3 x ZCS-KDCA1-EX6/6N: Max. 195W
Emergency Power	Built-in battery: 2150mAh
Mechanical	
Weight	ZCS-KDCA1-6/6N: 10.3Kg / 22.7lb (HDD not included) ZCS-KDCA1-EX6/6N: 3.68Kg/8.11lb
Dimensions	ZCS-KDCA1-6/6N: 430 x 510 x 98mm / 16.92" x 20.08" x 3.86" ZCS-KDCA1-EX6/6N: 190 x 510 x 98mm / 7.48" x 20.08" x 3.86"

USBCAM-110

Button Camera



Specifications

	USBCAM-110	USBCAM-120	USBCAM-130-M
Standard	USBCAM-110		
Interface	Micro USB2.0		
Resolution	720p@30fps	1080p@30fps	
Audio	Built-in Mic		
Lens			
Iris	F2.0		
Focal Length	4.3mm	6.2mm	
Angle of View	Diagonal 88°, Horizontal 74.2°, Vertical 39.8°		
Protection			
Ingress Protection Rating	IP66		
Mechanical			
Weight	24g / 0.053lb		
Dimensions	75.6 × 24.5 × 21.4mm / 2.98" × 0.96" × 0.84"		

Features

Mini Size

- 24g / 0.053lb weight
- 75.6 × 24.5 × 21.4mm / 2.98" × 0.96" × 0.84"

Abundant Functions and Features

- Hidden wear
- Built-in Mic

USBCAM-230

Ear-hook Camera



Specifications

	USBCAM-210	USBCAM-220	USBCAM-230-M
Standard	USBCAM-210		
Interface	Micro USB2.0		
Resolution	720p@30fps	1080p@30fps	
Audio	Built-in Mic and earphone		
Lens			
Iris	F2.2		
Focal Length	4.9mm		
Angle of View	Diagonal 84°, Horizontal 68°, Vertical 35°		
Protection			
Ingress Protection Rating	IP54 (optional)		
Mechanical			
Weight	33g / 0.073lb		
Dimensions	103 × 75 × 18mm / 4.06" × 2.95" × 0.71"		

Features

Mini Size

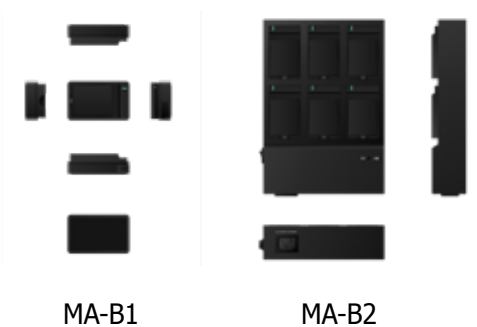
- 33g / 0.073lb weight
- 103 × 75 × 18mm / 4.06" × 2.95" × 0.71"

Abundant Functions and Features

- Built-in Mic
- Built-in earphone

MA-B

Body Worn Camera Battery Charger



MA-B1

MA-B2

Specifications

	MA-B1	MA-B2
Standard	MA-B1	MA-B2
Interface	Micro USB2.0	AC input socket
Charger Slot (s)	1	6
Charging time	Fully charged within 3 hours	
Environmental		
Operating Temperature	-10°C ~ 55°C / 14°F ~ 131°F	
Operating Humidity	10% ~ 95%	
Electrical		
Ingress Protection Rating	IP66	
Power Consumption	Max. 6W	Max. 50W
Electric Current	Max.1.2A (each slot)	
Mechanical		
Weight	97g / 0.21lb	1.3kg / 2.87lb
Dimensions	75 × 47 × 24.5mm / 2.96" × 1.86" × 0.97"	230 × 160 × 37mm / 9.06" × 6.30" × 1.46"

Features

High-efficiency

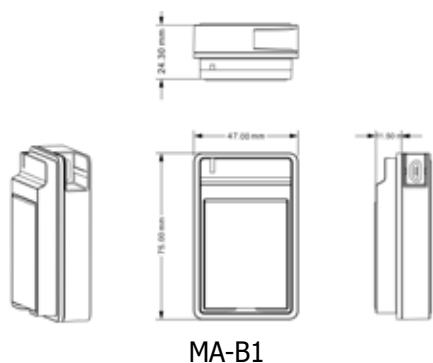
- Constant current fast charge
- Trickle charge

High Reliability

- Overcurrent protection
- Short circuit protection

Dimensions

Units:mm



MA-B1



MA-B2

ZFS-KDCA1

Data Docking Station Management Software



Specifications

	ZFS-KDCA1 Data Docking Station Management Software
System Access	
Device Access	up to 10,000 body worn cameras access
	up to 500 data docking stations access
User Access	up to 50 users
Management Functions	
Device Registering	Kedacom body worn camera, Kedacom data docking station
Resource Access	Video recording, Audio recording, Snapshot, Log
User Management	Admin / User
User Authorization	Layered authorization
Statistics	Dash Board, Graphical statistics
Application Programming	SDK
Browser	Kedacom Chrome
Network	
Network Protocols	TCP/IP, UDP, HTTP, XML, IPv4
User Interface	Web Client
System Requirements	
CPU	Intel i5 4-core processor 2.0GHz or above
RAM	16GB or above
HDD	Enterprise Class SATA HDD, 1TB, 7200 RPM, 6Gb/s, 64MB cache, or above
Ethernet	1 x Gigabit network port
Operating System	Centos 7.4

Features

Manage The Data Docking Station by PC

- ZFS-KDCA1 can help you manage the data docking station by PC. You can easily access the data docking station and all the body worn cameras, download the recordings and snapshots.

Multiple Device Management

- ZFS-KDCA1 supports multiple device management. The software can manage up to 10,000 body worn cameras and 500 data docking stations. It support graphical statistics, so you can get and view the operating statistics of all the body worn camera.

High-performance, High-capacity

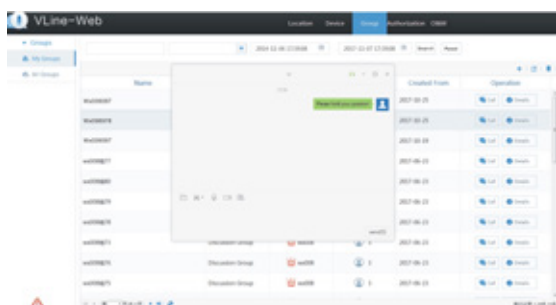
- Average response for web page loading: $\leq 5s$
- Maximum delay for searching response: $\leq 5s$

High Security

- Supports usb-key authentication
- Supports layered authorization
- Supports full and accurate user logs

VLine

Communication Kit



Features

Real-time Communication Service

- VLine is a communication Kit for Kedacom portable mobile device (such as body worn camera and body worn surveillance phone). It can provide real-time communication service, such as Push-to-Talk and message chat. VLine supports address book and contacts service, so all the body worn camera and body worn surveillance phone can easily communicate with other devices.

Group Communication

- VLine can build up many groups, each groups can have internal PTT or chat. VLine PC client also can join in the PTT or chat group, In addition, the VLine PC client can support broadcast and bulletin function, so you can send alarm or any message to all the body worn camera and body worn surveillance phone in the same time.

Map Interface

- VLine support map interface by google offline map. You can view all the body worn camera and body worn surveillance phone on the map by real-time position.

Powerful Management Functions

- Authorization of multi-group listening, forcible group joining
- Forcible talking assigned to high-ranking users
- Chat copying, favorites, deletion, forwarding, and history searching

High-performance, High-capacity

- Supports up to 500 client in a group
- Supports up to 50,000 users
- Supports low Message and PTT delay (< 500 ms) on 3G/4G networks
- Supports clear voice processing

Specifications

	VLine Communication Kit
Capacity	
Maximum Number of MSG / PTT Access	Up to 50,000
Basic Functions	
Address book and contacts service	Organization architecture and real-time user status
Group service	Build up groups, supports up to 500 client in a group
Broadcast message and bulletin service	Notifications from the VLine PC Client to Body Worn Camera with alerts
Map	Google offline map
User Management	Admin / User
Message Functions	
Chat service	Text, Picture, Short video, Short audio
Push-to-Talk Functions	
P2P	Real-time person-to-person communication service
Group	Real-time group communication service
Network	
Network Protocols	TCP/IP, UDP, HTTP, XML, IPv4
User Interface	VLine PC Client, Kedacom Body Worn Camera, Kedacom Body Worn Surveillance Phone
System Requirements (Hardware)	
CPU	Min. Intel XEON E5, 4 core (20 client access)to Max. 6 x Inter XEON E5, 8 core (50,000 client access)
RAM	Min. 4GB (20 client access)to Max. 6 x 16GB (50,000 client access)
HDD	Min. 1TB (20 client access)to Max. 6 x 1TB (50,000 client access)
System Requirements (Software)	
Supported Operating System	Centos 6.5 64-bit
Database	Oracle 11g / Redis 3.0

KUV-A6120E

Hexacopter Drone



Features

High Performance

- Carbon fiber material
- Up to 15m/s high speed flying, 10km long distance transmission
- Up to 60min flight time
- Up to 3000m flight height
- Up to 12m/s wind resistance

Various Security Mechanisms

- Support low power return
- Support signal loss return
- Support broken propeller protection

Various Task Load Accessories

- Support multiple Cameras, Megaphone, Throwing Device, meet various scenarios
- Support up to 11kg task load weight

Abundant Functions and Features

- One-button to take off / land / return
- Supports location function by GPS, Beidou, GLONASS

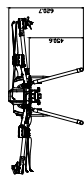
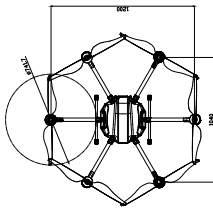
Specifications

KUV-A6120E	
System	
Number of rotors	6
Diagonal Wheelbase	1200mm
Dimensions	1776 × 1937 × 620mm / 69.92" × 76.26" × 24.4"
Fold Dimensions	510 × 630 × 620mm / 20.08" × 24.81" × 24.4"
Package Dimensions	560 × 680 × 780mm / 22.05" × 26.78" × 30.71"
Location Technology	GPS / Beidou / GLONASS
Net Weight	7.2kg (No battery) / 15.88lb
Max. Takeoff Weight	25.6kg / 56.43lb
Flight Parameter	
Max. Flight Time (No Mount)	60mins
Hovering Accuracy	Vertical: ±0.5m , Horizontal: ±1.0m
Max. Speed	15m/s
Max. Flight Height	3000m / 9842.5'
Max. Takeoff Altitude	4000m / 13123.4'
Max. Ascent Speed	6m/s
Max. Descent Speed	3m/s
Max. Tilt Angle	30°
Max. Wind Speed Resistance	12m/s
Max. Angular Velocity	50°/s
Max Transmission Distance	10km
Operating Temperature	-20°C ~ 60°C / -4°F ~ 140°F
Power Battery	
Capacity	2 x 30000 mAh
Battery Type	Lipo
Net Weight	6.8kg / 15lb
Operating Temperature	-20°C ~ 60°C / -4°F ~ 140°F
Storage Temperature	-40°C ~ 60°C / -40°F ~ 140°F

* All battery claims depend on network configuration and many other factors, actual results will vary.

Dimensions

Units:mm



KUV-A6120

Hexacopter Drone



Features

High Performance

- Carbon fiber material
- Up to 15m/s high speed flying, 10km long distance transmission
- Up to 45min flight time
- Up to 3000m flight height
- Up to 12m/s wind resistance

Various Security Mechanisms

- Support low power return
- Support signal loss return
- Support broken propeller protection

Various Task Load Accessories

- Support multiple Cameras, Megaphone, Throwing Device, meet various scenarios
- Support up to 11kg task load weigh

Abundant Functions and Features

- One-button to take off / land / return
- Supports location function by GPS, Beidou, GLONASS

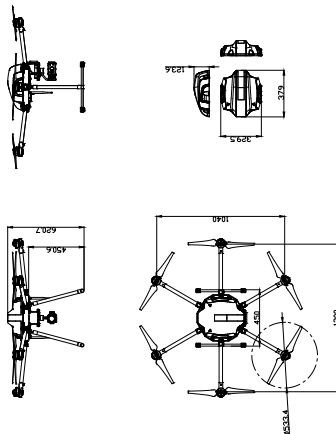
Specifications

KUV-A6120	
System	
Number of rotors	6
Diagonal Wheelbase	1200mm
Dimensions	1573 × 1734 × 620mm / 61.93" × 76.26" × 24.4"
Fold Dimensions	510 × 630 × 620mm / 20.08" × 24.81" × 24.4"
Package Dimensions	560 × 680 × 780mm / 22.05" × 26.78" × 30.71"
Location Technology	GPS / Beidou / GLONASS
Net Weight	6.2kg (No battery) / 13.67lb
Max. Takeoff Weight	18.7kg / 41.23lb
Flight Parameter	
Max. Flight Time (No Mount)	45mins
Hovering Accuracy	Vertical: ±0.5m , Horizontal: ±1.0m
Max. Speed	15m/s
Max. Flight Height	3000m / 9842.5'
Max. Takeoff Altitude	4000m / 13123.4'
Max. Ascent Speed	6m/s
Max. Descent Speed	3m/s
Max. Tilt Angle	30°
Max. Wind Speed Resistance	12m/s
Max. Angular Velocity	50°/s
Max Transmission Distance	10km
Operating Temperature	-20°C ~ 60°C / -4°F ~ 140°F
Power Battery	
Capacity	2 x 22000 mAh
Battery Type	Lipo
Net Weight	6.8kg / 15lb
Operating Temperature	-20°C ~ 60°C / -4°F ~ 140°F
Storage Temperature	-40°C ~ 60°C / -40°F ~ 140°F

* All battery claims depend on network configuration and many other factors, actual results will vary.

Dimensions

Units:mm



KUV-A4080

Quad-rotor Drone



Features

High Performance

- Carbon fiber material
- Up to 15m/s high speed flying, 6km long distance transmission
- Up to 30min flight time
- Up to 3000m flight height
- Up to 12m/s wind resistance

Various Security Mechanisms

- Support low power return
- Support signal loss return
- Support broken propeller protection

Various Task Load Accessories

- Support multiple Cameras, Megaphone, Throwing Device, meet various scenarios
- Support up to 1.5kg task load weight

Abundant Functions and Features

- One-button to take off / land / return
- Supports location function by GPS, Beidou, GLONASS

Specifications

KUV-A4080	
System	
Number of rotors	4
Diagonal Wheelbase	770mm
Dimensions	1003 × 998 × 359mm / 39.49" × 39.29" × 14.14"
Fold Dimensions	494 × 374 × 359mm / 19.45" × 14.73" × 14.14"
Location Technology	GPS / Beidou / GLONASS
Net Weight	6.2kg (No battery) / 13.67lb
Max. Takeoff Weight	7.4kg / 16.32lb
Flight Parameter	
Max. Flight Time (No Mount)	30mins
Hovering Accuracy	Vertical: ±0.5m , Horizontal: ±1.0m
Max. Speed	15m/s
Max. Flight Height	3000m / 9842.5'
Max. Takeoff Altitude	3000m / 9842.5'
Max. Ascent Speed	6m/s
Max. Descent Speed	3m/s
Max. Tilt Angle	30°
Max. Wind Speed Resistance	12m/s
Max. Angular Velocity	50°/s
Max Transmission Distance	6km
Operating Temperature	-20°C ~ 60°C / -4°F ~ 140°F
Power Battery	
Capacity	22000 mAh
Battery Type	Lipo
Net Weight	2.8kg / 6.17lb
Operating Temperature	-20°C ~ 60°C / -4°F ~ 140°F
Storage Temperature	-40°C ~ 60°C / -40°F ~ 140°F

* All battery claims depend on network configuration and many other factors, actual results will vary.

KPL-Z230

30x Optical Zoom Camera Mount



Features

High Stability Design

- All-aluminum structure design, light and sturdy, good heat dissipation
- Triaxial stabilization
- ±0.01° image stabilization accuracy

Excellent Image Quality

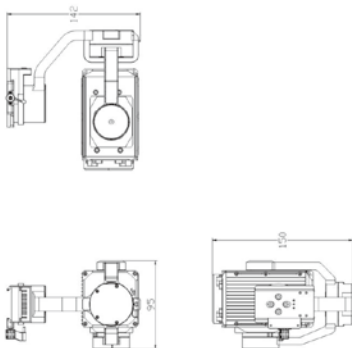
- 2.0 Megapixel 1/2.8" Progressive Scan CMOS Sensor
- High definition and smooth picture, 1080p@30fps
- H.265 video codec, saves up to 50% bandwidth and storage
- Ultra low illumination, 0.001lux with color picture
- 3D noise reduction / HLC

Specifications

	KPL-Z230
Camera	
Image Sensor	1/2.8" Progressive Scan CMOS
Pixels	2.0 Megapixel
Min. Illumination	Color: 0.001lux @ F1.6 B/W: 0.0001lux @ F1.6
Digital Noise Reduction	3D noise reduction
Digital Defog	Supported
Shutter Speed	1 ~ 1/30,000S
Lens	
Focal Length	4.7 ~ 141mm
Optical Zoom	30x
Zoom Speed	Approx 3s (Optical)
Angle of View	67.8° ~ 2.34° (Wide~Tele)
Min. Object Distance	300 ~ 1500mm (Wide~Tele)
Max. Aperture Ratio	F1.6 (Wide) / F4.4 (Tele)
Video	
Compression	H.265 / H.264 / MJPEG
Image Resolution	Main stream: 1080p Secondary stream: D1
Frame Rate	Main stream: 1080p@30fps Secondary stream: D1@30fps
Storage	Up to 128GB Micro SD card, 32GB by default
Pan and Tilt	
Precision	±0.01°
Anti-vibration Axis	3 Axis
Pan / Tilt Range	Pan range: 360° Endless Tilt range: -120° ~ 30°
Pan / Tilt Speed	Pan speed: 200°/s Tilt speed: 200°/s
3D Positioning	Supported
Auto-tracking	Supported
Environmental	
Operating Temperature	-20°C ~ 60°C / -4°F ~ 140°F
Operating Humidity	10% ~ 95%
Storage Temperature	-20°C ~ 70°C / -4°F ~ 158°F
Electrical	
Power Consumption	Max. 6W
Mechanical	
Weight	0.575kg / 1.27lb
Dimensions	150 × 95 × 142mm / 5.91" x 3.74" x 5.59"

Dimensions

Units:mm



KPL-R125

Thermal Camera Mount



Specifications

KPL-R125	
Thermal	
Lens	50mm
Digital Zoom	8x
Temperature Range (Low)	-20°C ~ 150°C / -4°F ~ 302°F
Thermal Sensitivity	<40mk@f/1.0
Temperature Range (High)	160°C ~ 550°C / 320°F ~ 1022°F
Temperature Tolerance	±2°C or 2%
Video	
Compression	H.265 / H.264 / MJPEG
Image Resolution	800 × 600
Frame Rate	800 × 600@25fps
Storage	Up to 128GB Micro SD card, 32GB by default
Pan and Tilt	
Precision	±0.01°
Anti-vibration Axis	3 Axis
Pan / Tilt Range	Pan range: 360° Endless Tilt range: -120° ~ 30°
Pan / Tilt Speed	Pan speed: 200°/s Tilt speed: 200°/s
Auto-tracking	Supported
3D Positioning	Supported
Operating Temperature	-20°C ~ 60°C / -4°F ~ 140°F
Operating Humidity	≤85%RH
Storage Temperature	-20°C ~ 70°C / -4°F ~ 158°F
Electrical	
Power Consumption	Max. 4.4W
Mechanical	
Weight	0.7kg / 1.54lb
Dimensions	134 × 130 × 126mm / 5.28" x 5.12" x 4.96"

Features

High Stability Design

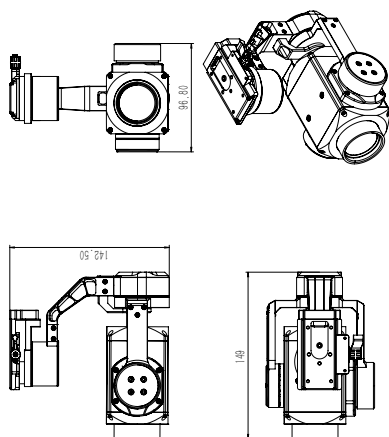
- All-aluminum structure design, light and sturdy, good heat dissipation
- Triaxial stabilization
- ±0.01° image stabilization accuracy

High Performance

- Supports temperature measurement

Dimensions

Units:mm



KPL-F2

Dual-Spectral Camera Mount



Features

High Stability Design

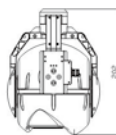
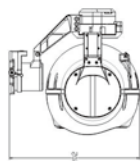
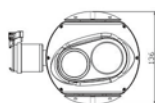
- All-aluminum structure design, light and sturdy, good heat dissipation
- Triaxial stabilization
- $\pm 0.01^\circ$ image stabilization accuracy

Excellent Image Quality

- 2.0 Megapixel 1/2.8" Progressive Scan CMOS Sensor
- High definition and smooth picture, 1080p@30fps
- H.265 video codec, saves up to 50% bandwidth and storage
- Ultra low illumination, 0.001lux with color picture
- 3D noise reduction / HLC

Dimensions

Units:mm



Specifications

KPL-F2	
Visual Light	
Image Sensor	1/2.8" Progressive Scan CMOS
Image Resolution	Main stream: 1080p Secondary stream: D1
Pixels	2.0 Megapixel
Min. Illumination	Color: 0.001lux @ F1.6 B/W: 0.0001lux @ F1.6
Shutter Speed	1 ~ 1/30,000s
Focal Length	4.7 ~ 141mm
Optical Zoom	30x
Frame Rate	Main stream: 1080p@30fps Secondary stream: D1@30fps
Compression	H.265 / H.264 / MJPEG
Angle of View	67.8° ~ 2.34° (Wide→Tele)
Max. Aperture Ratio	F1.6 (Wide) / F4.4 (Tele)
Storage	Up to 128GB Micro SD card, 32GB by default
Thermal	
Resolution	800 × 600
Lens	25mm
Frame Rate	800 × 600@25fps
Temperature Range (Low)	-20°C ~ 150°C / -4°F ~ 302°F
Thermal Sensitivity	<40mk@f1.0
Temperature Range (High)	160°C ~ 550°C / 320°F ~ 1022°F
Temperature Tolerance	2°C or 2%
Pan and Tilt	
Precision	$\pm 0.01^\circ$
Anti-vibration Axis	3 Axis
Pan / Tilt Range	Pan range: 360° Endless Tilt range: -120° ~ 30°
Pan / Tilt Speed	Pan speed: 200°/s Tilt speed: 200°/s
Auto-tracking	Supported
3D Positioning	Supported
Operating Temperature	-20°C ~ 60°C / -4°F ~ 140°F
Operating Humidity	≤85%RH
Storage Temperature	-20°C ~ 70°C / -4°F ~ 158°F
Electrical	
Power Consumption	Max. 9W
Mechanical	
Weight	1.3kg / 2.87lb
Dimensions	202 × 136 × 202mm / 7.96" × 5.36" × 7.95"

KPL-F808

4K Fixed Camera Mount



Features

High Stability Design

- All-aluminum structure design, light and sturdy, good heat dissipation
- Triaxial stabilization
- $\pm 0.01^\circ$ image stabilization accuracy

Excellent Image Quality

- 8.0 Megapixel 1/1.7" progressive scan CMOS sensor
- High definition and smooth picture, 4096 x 2160@30fps
- H.265 video codec, saves up to 50% bandwidth and storage
- Low illumination, 0.001lux with color picture
- 3D noise reduction / HLC

Specifications

KPL-F808	
Camera	
Image Sensor	1/1.7" Progressive Scan CMOS
Pixels	12 Megapixel
Min. Illumination	Color: 0.001lux @ F1.6 B/W: 0.0001lux @ F1.6
Digital Noise Reduction	3D noise reduction
Digital Defog	Supported
Shutter Speed	1 ~ 1/30,000S
Lens	
Focal Length	6mm
Angle of View	64°
Min. Object Distance	200mm
Max. Aperture Ratio	F1.6
Video	
Compression	H.265 / H.264 / MJPEG
Image Resolution	Main stream: 4K Secondary stream: 1080p
Frame Rate	Main stream: 4K@30fps Secondary stream: 1080p@30fps
Storage	Up to 128GB Micro SD card, 32GB by default
Pan and Tilt	
Precision	$\pm 0.01^\circ$
Anti-vibration Axis	3 Axis
Pan / Tilt Range	Pan range: 360° Endless Tilt range: -120° ~ 30°
Pan / Tilt Speed	Pan speed: 200°/s Tilt speed: 200°/s
3D Positioning	Supported
Auto-tracking	Supported
Environmental	
Operating Temperature	-20°C ~ 60°C / -4°F ~ 140°F
Operating Humidity	10% ~ 95%
Storage Temperature	-20°C ~ 70°C / -4°F ~ 158°F
Electrical	
Power Consumption	Max. 7W
Mechanical	
Weight	0.35kg / 0.77lb
Dimensions	98 x 76 x 116mm / 3.86" x 2.30" x 4.57"

KPL-V1

Megaphone Mount



Features

High Stability Design

- All-aluminum structure design, light and sturdy, good heat dissipation
- Biaxial stabilization
- ±0.01° image stabilization accuracy

High Performance

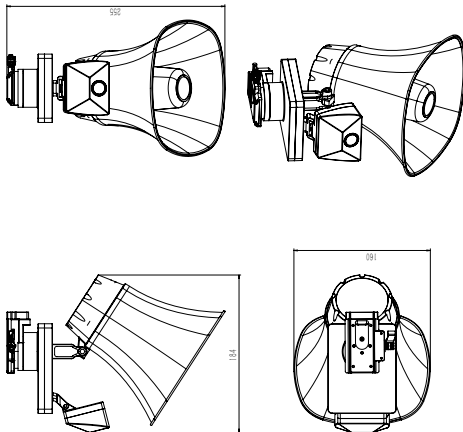
- Megaphone has 500m maximum distance
- Strong anti-interference
- Up to 15 km audio data transmission distance with low latency

Specifications

KPL-V1	
Camera	
Image Sensor	1/2.8" Progressive Scan CMOS
Pixels	2.0 Megapixel
Min. Illumination	Color: 0.001lux @ F1.6 B/W: 0.0001lux @ F1.6
Digital Noise Reduction	3D noise reduction
Digital Defog	Supported
Shutter Speed	1 ~ 1/30,000S
Lens	
Focal Length	8mm
Angle of View	48°
Min. Object Distance	40mm
Video	
Compression	H.265 / H.264 / MJPEG
Image Resolution	Main stream: 1080p Secondary stream: D1
Frame Rate	Main stream: 1080p@30fps Secondary stream: D1@30fps
Storage	Up to 128GB Micro SD card, 32GB by default
Loudspeaker	
Max. acoustic pressure	125dB
Max. Power	30W
Volume Control	Supported by ground station
Frequency	350Hz-5KHz
Sensitivity	Up to 128GB Micro SD card, 32GB by default
Pan and Tilt	
Precision	±0.01°
Anti-vibration Axis	2 Axis
Pan / Tilt Range	Pan range: 360° Endless
Pan / Tilt Speed	Pan speed: 200°/s
Environmental	
Operating Temperature	-20°C ~ 60°C / -4°F ~ 140°F
Operating Humidity	10% ~ 95%
Storage Temperature	-20°C ~ 70°C / -4°F ~ 158°F
Electrical	
Power Consumption	Max. 7W
Mechanical	
Weight	0.6kg / 1.33lb
Dimensions	189 × 160 × 174mm / 7.45" × 6.30" × 6.85"

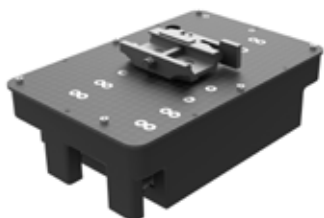
Dimensions

Units:mm



KPL-P1

Throwing Device Mount



Features

High Stability Design

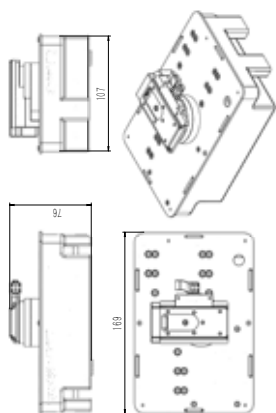
- All-aluminum structure design, light and sturdy, good heat dissipation
- Carbon fiber structure, large bearing capacity
- $\pm 0.01^\circ$ image stabilization accuracy

High Performance

- Up to three mount points
- More than 10kg for every single throw weight
- Accurate throwing
- Convenient dismounting

Dimensions

Units:mm



Specifications

KPL-P1	
Camera	
Image Sensor	1/2.8" Progressive Scan CMOS
Pixels	2.0 Megapixel
Min. Illumination	Color: 0.001lux @ F1.6 B/W: 0.0001lux @ F1.6
Digital Noise Reduction	3D noise reduction
Digital Defog	Supported
Shutter Speed	1 ~ 1/30,000S
Lens	
Focal Length	8mm
Angle of View	48°
Min. Object Distance	40mm
Video	
Compression	H.265 / H.264 / MJPEG
Image Resolution	Main stream: 1080p Secondary stream: D1
Frame Rate	Main stream: 1080p@30fps Secondary stream: D1@30fps
Storage	Up to 128GB Micro SD card, 32GB by default
Throwing	
Max. load weight	10kg for each mount point
Mount point number	3
Release mode	Individual by Remote control
Environmental	
Operating Temperature	-20°C ~ 60°C / -4°F ~ 140°F
Operating Humidity	10% ~ 95%
Storage Temperature	-20°C ~ 70°C / -4°F ~ 158°F
Electrical	
Power Consumption	Max. 7W
Mechanical	
Weight	0.6kg / 1.33lb
Dimensions	189 × 160 × 174mm / 7.45" x 6.30" x 6.85"

KGS-C

Handheld Ground Station



Features

High Performance

- Up to 10km transmission distance
- Up to 4.5 hours working and 2 hours for 4G transmission
- Supports types of 3G / 4G network

Various Security Mechanisms

- Supports PTZ control
- Supports route design and track planning
- Support video real-time display, video recording, snapshot
- Supports E-map, makes real-time position, posture and operation more visualized
- Supports hotspot surround, flying around region-of-interest

Specifications

	KGS-C
Remote Controller	
4G LET	Supported
Max Transmission Distance	10km
Battery	6000mAh
Working Time (4G off)	Up to 4.5 hours
Working Time (4G on)	Up to 2 hours
Network	
2G	GSM: B2 / B3 / B5 / B8 CDMA: BC0
3G	WCDMA: B1 / B8 TD-SCDMA: B34 / B39
4G	FDD-LTE: B1 / B3 / B8 TD-LTE: B38 / B39 / B40 / B41
Tablet	
Screen size	8"
Screen resolution	1200 × 1920
Operating System	Android
RAM	3GB
ROM	32GB
Battery	4800mAh
Environmental	
Operating Temperature	-20°C ~ 60°C / -4°F ~ 140°F
Charging Temperature	0°C ~ 45°C / 32°F ~ 113°F
Storage Temperature	-25°C ~ 60°C / -13°F ~ 140°F
Operating Humidity	65±20%RH
Mechanical	
Weight	0.98kg / 2.16lb
Dimensions	170 × 159 × 288mm / 7.45" × 6.30" × 6.85"
Fold Dimensions	170 × 129 × 288mm / 7.45" × 6.30" × 6.85"
* All battery claims depend on network configuration and many other factors, actual results will vary.	



website



Facebook

www.kedacom.com

China (Headquarters)
131, Jinshan Road, New District,
Suzhou 215011, P.R.China
Tel: (86) 512 6841 8188
Email: international.sales@kedacom.com

Singapore
(International Headquarters)
627A Aljunied Road, BizTech Centre,
#09-07, Singapore 389842.
Tel: (65) 6842 5700
Email: international.sales@kedacom.com

Shenzhen
Room 1709 Tianxia Feicuimingzhu
Jinji Road, Nanshan District
Shenzhen, China, 518000
Tel: (86) 138 2886 0464
Email: shenzhen@kedacom.com

Netherlands
Groenhof 344, Amstelveen, 1186GK,
The Netherlands.
Tel: (31) 020 640 1114
Email: holland@kedacom.com

Korea
#1802 Daeryung Techno 15th, 401 Simindaero,
Dongan-Gu, Gyunggi-Do, Korea 431062.
Tel: (82) 31 386 3140
Email: cheong@kedacom.co.kr

Turkey
Merkez: Beşyol Mah. Cami Sok.
No:14 K.Çekmece / İstanbul
Tel: 0(212) 220 55 50 (Dahili:103)
Email: turkey@kedacom.com