



SN-IPR8056DQAN-Z

5MP IR Varifocal Bullet Network Camera



Key Features

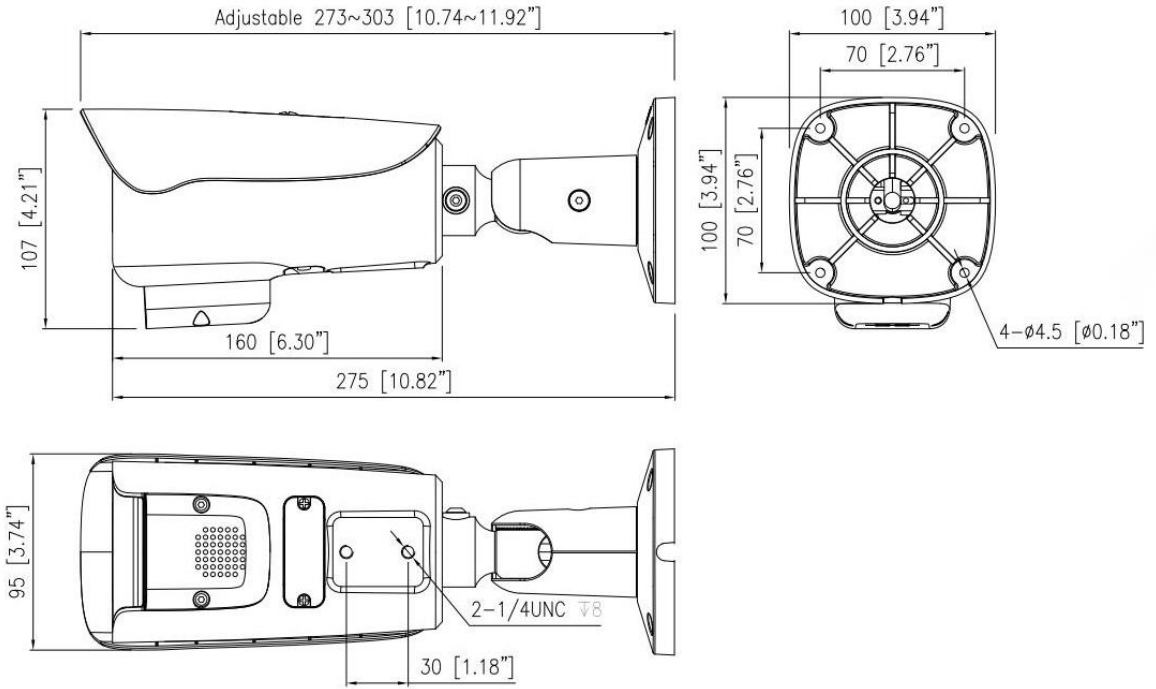
- 1/2.8" STARVIS™ CMOS
- 25/30fps @ 5MP(2592×1944)
- 2.7 to 13.5 mm motorized focal lens
- Support face, human, vehicle detection and capture
- Intelligent analysis: intrusion, single / double line crossing, loitering, wrong-way detection, illegal parking, smart motion detection, and people counting
- True WDR, 3D DNR, ROI, Defog, HLC
- Smart IR distance up to 60 m
- Built-in mic and speaker, 1/1 audio input/output, 1/1 alarm input/output
- Built-in micro SD card slot (up to 1 TB)
- IP66 protection

Specification

Camera				
Image Sensor	1/2.8" Progressive Scan CMOS			
Max. Resolution	5MP, 2592H) × 1944(V)			
Electronic Shutter	Auto/Manual, 1/5 to 1/100,000s			
Min. illumination	Color: 0.005 Lux @ (F1.6, AGC ON) , B/W: 0 Lux with IR			
Day & Night	Auto (ICR)			
Wide Dynamic Range	True WDR			
Angle Adjustment	Pan: 0° to 360°, Tilt: 0° to 90°, Rotation: 0° to 360°			
Lens				
Lens Type	Varifocal lens, Motorized focal			
Iris	Fixed Iris			
Focal Length	2.7 to 13.5 mm			
Max. Aperture	F1.6			
Field of View (FOV)	H: 98.3° to 27.5°, V: 71.3° to 20.3°			
DORI Distance				
Lens	Detect	Observe	Recognize	Identify
Wide (2.7 mm)	63 m (206.7 ft)	25.2 m (82.7 ft)	12.6 m (41.3 ft)	6.3 m (20.7 ft)
Tele (13.5 mm)	217 m (712.0 ft)	86.8 m (284.8 ft)	43.4 m (142.4 ft)	21.7 m (71.2 ft)
DORI (Detect, Observe, Recognize, and Identify) is a standard system (EN-62676-4) for defining the ability of a person viewing the video to distinguish persons or objects within a covered area. The numbers in this table do not reflect intelligent function distances.				
Illuminator				
Illuminator Type	IR			
Illumination Distance	Up to 60 m (196.9 ft)			
Illumination On/Off Control	Auto/Manual			
Intelligent Analytics				
Multi-Object Detection	Supports face, human, vehicle detection and capture			
Intelligent Analysis	Intrusion, Single line crossing, Double line crossing, Loitering, Wrong-way, Illegal parking, and Smart motion detection Support alarm triggering by specified target types (human and vehicle)			
People Counting	Support			
Video and Audio				
Streaming Capability	3 Streams			
Stream/Frame Rate	Stream1: 2592×1944, 2592×1520, 1920×1080, 1280×720 @25/30fps Stream2: D1, VGA, CIF @25/30fps Stream3: VGA, CIF, QVGA @25/30fps			
Bit Rate Control	CBR/VBR			
Bit Rate	Stream1: 200 Kbps to 12 Mbps Stream2: 100 Kbps to 6 Mbps Stream3: 100 Kbps to 3 Mbps			
Smart Encoder	Support			
Region of Interest (ROI)	Off/On (8 Zone, Rectangle)			
Audio Compression	G.711 A-law, G.711 μ-law, RAM PCM			

Audio Bit Rate	64 Kbps (G.711), 128 Kbps (RAW_PCM)
Image	
Image Adjustment	Brightness, Sharpness, Contrast, Saturation adjustable
Aisle Mode	Support
Mirror	Support
White Balance	Auto/Manual
Day/Night Setting	Auto, Day, Night, Time
Noise Reduction	2D/3D DNR
Image Enhancement	HLC, BLC, Defog, WDR
Privacy Masking	4 areas
Event	
Alarm Triggers	IVS, Motion detection, Alarm input, Network alarm, Disk alarm, Day/Night switch alarm, Abnormal sound detection
Alarm Events	Alarm record, Alarm output, FTP upload, SMTP upload, Audible alarm output
Network	
Protocols	IPv4/IPv6, HTTP/HTTPS, DNS, DDNS, DHCP, PPPoE, RTSP/ RTCP/RTP, TCP/UDP, NTP, ARP, UPnP, FTP, SMTP, QoS, ICMP, IGMP, SMTP, 802.1x, SNMP, Multicast
Interoperability	ONVIF (Profile S/T/G/M), SDK, CGI
User/Host Level	Up to 10 users, 3 levels: Administrator, Operator, Media user
Security	IP address filter, encrypted HTTPS, Illegal login lock, IEEE 802.1x
Web Viewer	<IE11, Chrome, Firefox, Microsoft Edge
Interface	
Network Interface	1 Ethernet (10/100 Base-T) RJ-45 Connector
Built-in Microphone	Support
Built-in Speaker	Support
Audio Interface	1ch Input, 1ch Output
Alarm Interface	1ch Input, 1ch Output
SD Card Slot	Built-in, up to 1 TB
Reset Button	Support
General	
Language	English, Chinese, Polish, Italian, Portuguese, Spanish, Russian, French, Czech, Hungarian. Default: English
Power Supply	12 VDC (-10% to +25%)/PoE (802.3af)
Power Consumption	Basic: Max 3 W (without light) Max. (Focus + WDR + Speaker + IR on): 10 W
Operating Temperature	-40°C to 60°C (-40°F to 140°F)
Operating Humidity	Less than 90% RH
Ingress Protection	IP66
Certifications	CE-EMC (EN 55032:2015+A1:2020, EN 55035:2017+A11:2020, EN 50130-4:2011+A1:2014, EN IEC 61000-6-4:2019, EN IEC 61000-3-2:2019+A1:2021, EN 61000-3-3:2013+A2:2021) FCC (FCC 47 CFR 15, Subpart B, ANSI C63.4-2014)
Material	Aluminum alloy
Dimensions	303 × 100 × 107 mm (11.9 × 3.94 × 4.21 inch)
Net Weight	1.25 kg (2.76 lb)

Dimensions (mm)



Accessories

Optional:



SN-CBK645G
Junction Box



SN-CBK627D
Pole Mount



SN-CBK101
Pole Mount



SN-CBK102
Corner Mount